

# UM108-FE - Foot element



2959463

<https://www.phoenixcontact.com/in/products/2959463>

Please be informed that the data shown in this PDF document is generated from our Online Catalog. Please find the complete data in the user documentation. Our General Terms of Use for Downloads are valid.

Foot element, 107.5 mm wide, for mounting on NS 32 or NS 35/7.5, below profile housing UM 108.



## Your advantages

- Easy installation
- Flexible size and shape
- Inexpensive as a result of reducing the number of separate housing parts

## Commercial Data

Item number	2959463
Packing unit	10 pc
Minimum order quantity	10 pc
Sales Key	ACH
Product Key	ACHDBB
Catalog Page	Page 757 (C-1-2013)
GTIN	4017918086121
Weight per Piece (including packing)	8.185 g
Weight per Piece (excluding packing)	8.08 g
Customs tariff number	39269097
Country of origin	PL

# UM108-FE - Foot element

2959463

<https://www.phoenixcontact.com/in/products/2959463>



## Technical Data

### Product properties

Product type	Base latches
Product family	UM108
Type	Base element for the DIN rail, for mounting below UM-PRO PROFILE (width: 108 mm)
Housing type	Press-drawn section housings
Housing series	UM

### Material specifications

Color	green
Flammability rating according to UL 94	V0
Surface characteristics	untreated
Housing material	Polyamide

# UM108-FE - Foot element

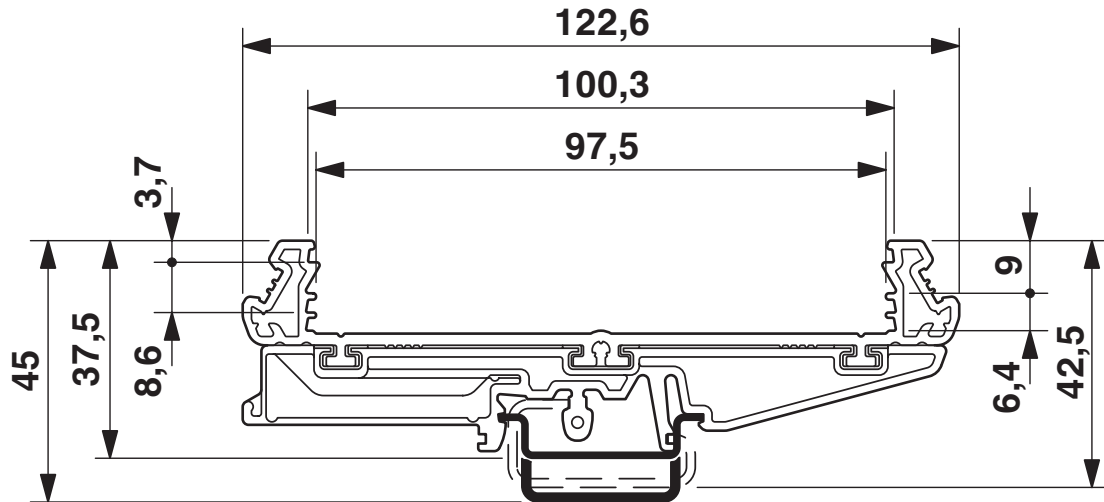
2959463

<https://www.phoenixcontact.com/in/products/2959463>

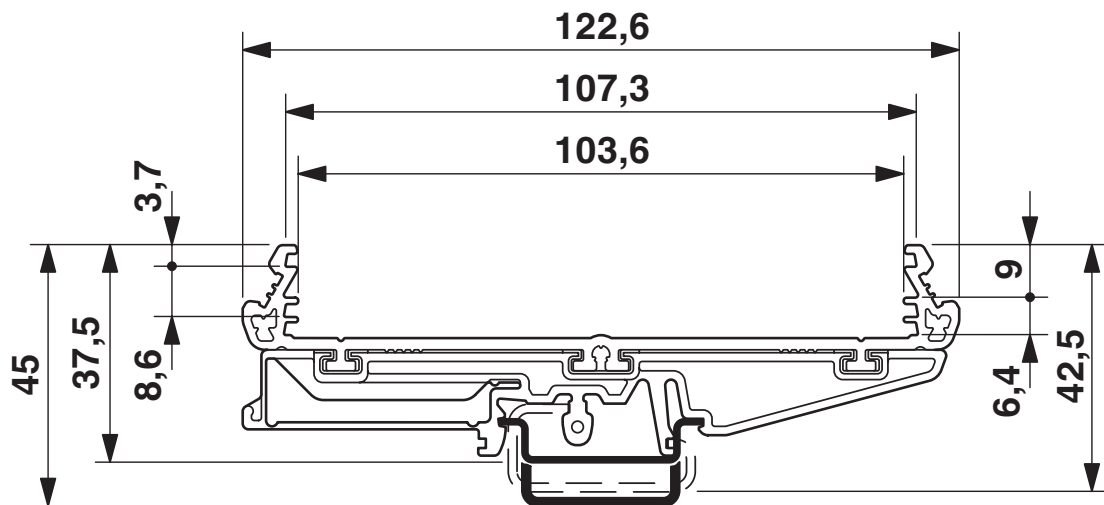


## Drawings

Dimensional drawing



Dimensional drawing



# UM108-FE - Foot element



2959463

<https://www.phoenixcontact.com/in/products/2959463>

## Approvals



**EAC**

Approval ID: B.01687



**UL Recognized**

Approval ID: FILE E 240868

# UM108-FE - Foot element

2959463

<https://www.phoenixcontact.com/in/products/2959463>



## Classifications

### ECLASS

ECLASS-11.0

27182701

### ETIM

ETIM 8.0

EC002779

### UNSPSC

UNSPSC 21.0

31261500

# UM108-FE - Foot element

2959463

<https://www.phoenixcontact.com/in/products/2959463>



## Environmental Product Compliance

China RoHS	Environmentally friendly use period: unlimited = EFUP-e No hazardous substances above threshold values
------------	---

Phoenix Contact 2023 © - all rights reserved  
<https://www.phoenixcontact.com>

PHOENIX CONTACT (I) Pvt. Ltd.  
A-58/2, Okhla Industrial Area, Phase - II, New Delhi-110 020

+91.1275.71420  
[info@phoenixcontact.co.in](mailto:info@phoenixcontact.co.in)