

UMK-FE - Foot element

2970031

<https://www.phoenixcontact.com/in/products/2970031>

Please be informed that the data shown in this PDF document is generated from our Online Catalog. Please find the complete data in the user documentation. Our General Terms of Use for Downloads are valid.

Foot element, for mounting on DIN rail NS 32 or DIN rail NS 35/7.5, can be inserted between base and side element



Commercial Data

Item number	2970031
Packing unit	10 pc
Minimum order quantity	10 pc
Sales Key	ACH
Product Key	ACHDCA
Catalog Page	Page 760 (C-1-2013)
GTIN	4017918087562
Weight per Piece (including packing)	5.93 g
Weight per Piece (excluding packing)	5.855 g
Customs tariff number	85472000
Country of origin	PL

UMK-FE - Foot element



2970031

<https://www.phoenixcontact.com/in/products/2970031>

Technical Data

Product properties

Product type	Base latches
Product family	UMK
Housing type	Press-drawn section housings
Housing series	UMK

Material specifications

Surface characteristics	untreated
Housing material	Polyamide

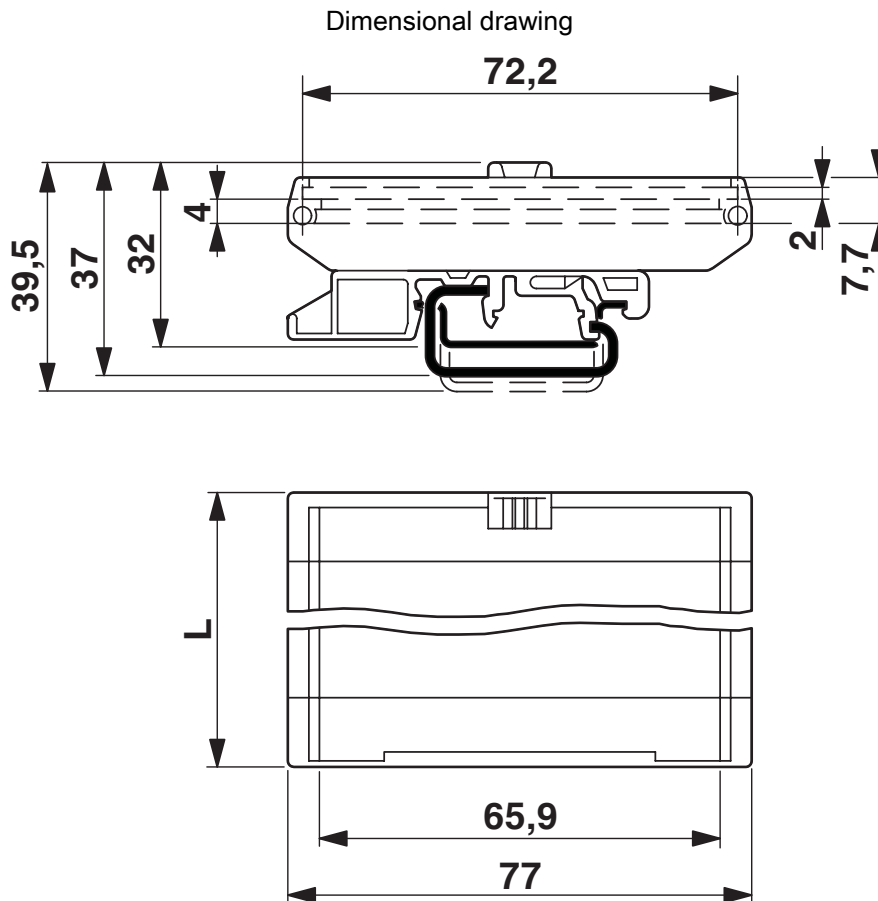
UMK-FE - Foot element

2970031

<https://www.phoenixcontact.com/in/products/2970031>



Drawings



UMK-FE - Foot element



2970031

<https://www.phoenixcontact.com/in/products/2970031>

Approvals



EAC

Approval ID: B.01687



UL Recognized

Approval ID: FILE E 240868

UMK-FE - Foot element

2970031

<https://www.phoenixcontact.com/in/products/2970031>



Classifications

ECLASS

ECLASS-11.0

27182701

ETIM

ETIM 8.0

EC002779

UNSPSC

UNSPSC 21.0

31261500

UMK-FE - Foot element



2970031

<https://www.phoenixcontact.com/in/products/2970031>

Environmental Product Compliance

China RoHS	Environmentally friendly use period: unlimited = EFUP-e
	No hazardous substances above threshold values

Phoenix Contact 2023 © - all rights reserved
<https://www.phoenixcontact.com>

PHOENIX CONTACT (I) Pvt. Ltd.
A-58/2, Okhla Industrial Area, Phase - II, New Delhi-110 020

+91.1275.71420
info@phoenixcontact.co.in