

# VS-08-RJ45-5-Q/IP20 - RJ45 connector



1656725

<https://www.phoenixcontact.com/in/products/1656725>

Please be informed that the data shown in this PDF document is generated from our Online Catalog. Please find the complete data in the user documentation. Our General Terms of Use for Downloads are valid.



RJ45 connector, design: RJ45, degree of protection: IP20, number of positions: 8, 1 Gbps, CAT5, material: Plastic, connection method: Insulation displacement connection, connection cross section: AWG 26- 23, cable outlet: straight, color: traffic grey A RAL 7042, Ethernet

## Your advantages

- Easy and time-saving assembly with IDC fast connection technology
- Can be used internationally due to EAC, UL 1863, and CAN/CSA C22.2
- Ideal companion for servicing or repairs in the field: no special tools required for mounting

## Commercial Data

Item number	1656725
Packing unit	1 pc
Minimum order quantity	1 pc
Sales Key	ABN
Product Key	ABNAAD
Catalog Page	Page 372 (C-2-2019)
GTIN	4046356030045
Weight per Piece (including packing)	10.5 g
Weight per Piece (excluding packing)	8.094 g
Customs tariff number	85366990
Country of origin	CH

# VS-08-RJ45-5-Q/IP20 - RJ45 connector

1656725

<https://www.phoenixcontact.com/in/products/1656725>

## Technical Data

### Product properties

Type	RJ45
Product type	Data plug
Number of positions	8
Connection profile	RJ45
No. of cable outlets	1
Type	RJ45
Locking type	Locking clips
Shielded	yes
Cable outlet	straight

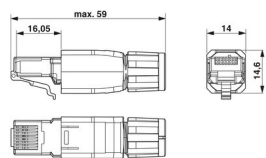
### Insulation characteristics

Overvoltage category	I
Degree of pollution	2

### Electrical properties

Rated voltage (III/3)	72 V (DC)
Rated surge voltage	330 kV
Rated current	1.75 A
Contact resistance	< 100 m $\Omega$ (max.)
Frequency range	to 100 MHz
Insulation resistance	> 500 M $\Omega$
Nominal voltage $U_N$	48 V
Nominal current $I_N$	1.75 A
Contact resistance per contact pair	< 20 $\Omega$
Contact resistance	> 10 m $\Omega$ (Wire – IDC) 0.005 $\Omega$ (Litz wires – IDC)
Transmission medium	Copper
Transmission speed	1 Gbps

### Dimensions

Dimensional drawing	
Width	14 mm
Height	14.6 mm
Length	56 mm

# VS-08-RJ45-5-Q/IP20 - RJ45 connector



1656725

<https://www.phoenixcontact.com/in/products/1656725>

## Material specifications

Color	gray
Material	Plastic
Flammability rating according to UL 94	V0
Contact material	Cu/Sn
Contact surface material	Au/Ni
Contact carrier material	PC
Material for screw connection	PA
Housing material	Plastic

## Cable/line

External cable diameter	4.5 mm ... 8 mm
	4.5 mm ... 8 mm
Wire diameter including insulation	1.6 mm
Test voltage Core/Core	1000 V
Test voltage Core/Shield	1500 V

## Mechanical properties

### Mechanical data

Insertion/withdrawal cycles	≥ 1000
Insertion force per signal contact	< 20.00 N
Extraction force per signal contact	< 20 N

## Environmental and real-life conditions

### Ambient conditions

Degree of protection	IP20
Ambient temperature (operation)	-20 °C ... 70 °C

## Mounting

Mounting type	For field assembly
---------------	--------------------

# VS-08-RJ45-5-Q/IP20 - RJ45 connector

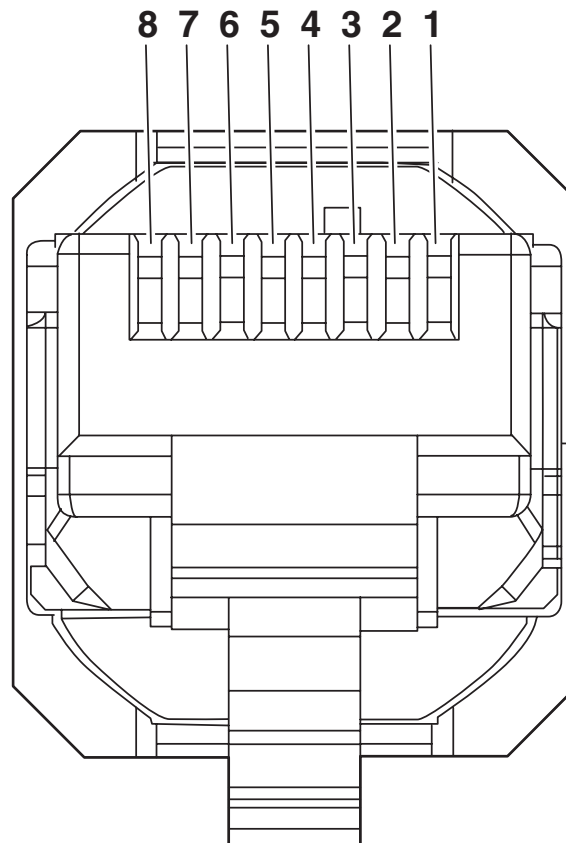
1656725

<https://www.phoenixcontact.com/in/products/1656725>



## Drawings

Schematic diagram

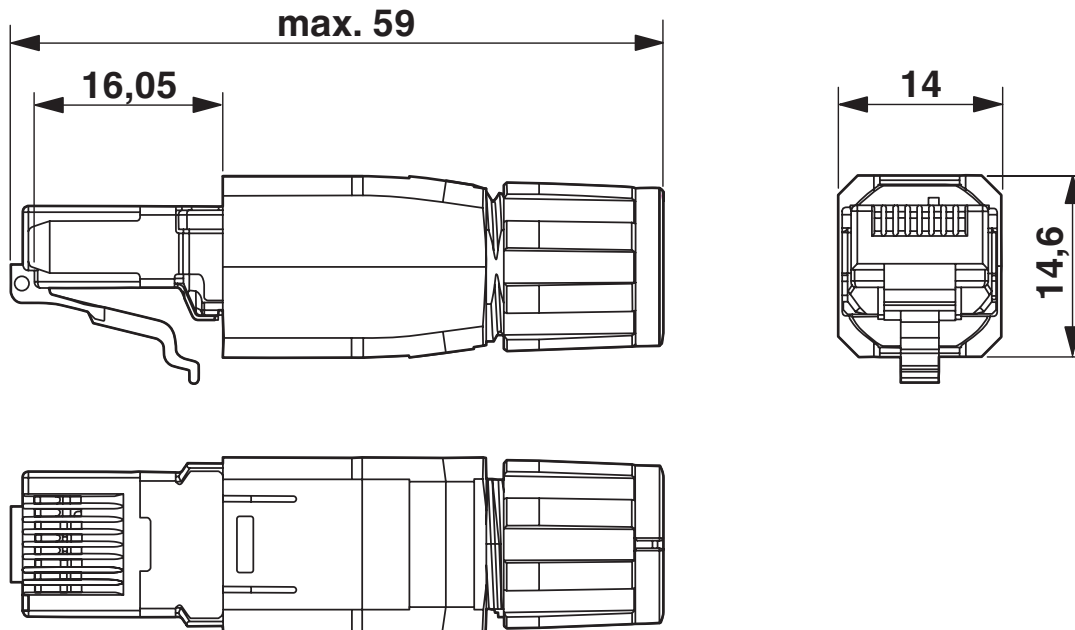


# VS-08-RJ45-5-Q/IP20 - RJ45 connector

1656725

<https://www.phoenixcontact.com/in/products/1656725>

## Dimensional drawing



RJ45 connector, IP20

# VS-08-RJ45-5-Q/IP20 - RJ45 connector



1656725

<https://www.phoenixcontact.com/in/products/1656725>

## Approvals



**EAC**

Approval ID: B.01687



**DNV GL**

Approval ID: TAE000020F



**UL Listed**

Approval ID: FILE E 335024



**cUL Listed**

Approval ID: FILE E 335024

# VS-08-RJ45-5-Q/IP20 - RJ45 connector



1656725

<https://www.phoenixcontact.com/in/products/1656725>

## Classifications

### ECLASS

ECLASS-11.0	27440101
ECLASS-12.0	27440113
ECLASS-13.0	27440113

### ETIM

ETIM 8.0	EC002636
----------	----------

### UNSPSC

UNSPSC 21.0	39121400
-------------	----------

# VS-08-RJ45-5-Q/IP20 - RJ45 connector



1656725

<https://www.phoenixcontact.com/in/products/1656725>

## Environmental Product Compliance

China RoHS	Environmentally friendly use period: unlimited = EFUP-e
	No hazardous substances above threshold values



# VS-08-RJ45-5-Q/IP20 - RJ45 connector



1656725

<https://www.phoenixcontact.com/in/products/1656725>

## Accessories

### VS-08-RJ45-Q-COD-SET - RJ45 coding rings

1656893

<https://www.phoenixcontact.com/in/products/1656893>

Coding set, for color encoding of the RJ45 QUICKON connector, consisting of 80 color rings, 10 rings each in the colors: white, blue, red, green, yellow, violet, brown, gray



---

### VS-CABLE-STRIP-VARIO - Stripping tool

1657407

<https://www.phoenixcontact.com/in/products/1657407>

Stripping tool, for the multi-level stripping of shielded cables



## VS-08-RJ45-5-Q/IP20 - RJ45 connector

1656725

<https://www.phoenixcontact.com/in/products/1656725>



## NBC-PP-G1PGY - DIN rail adapter

1041740

<https://www.phoenixcontact.com/in/products/1041740>



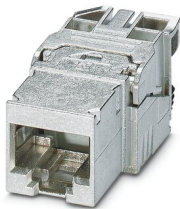
DIN rail adapter, design: Headers with shielding, degree of protection: IP20, material: PC-GF10, connection method: Quick connection, without assembled modules

---

## CUC-I-J1ZNI-S/R4IDC8 - RJ45 socket insert

1417274

<https://www.phoenixcontact.com/in/products/1417274>



RJ45 socket insert, design: RJ45, degree of protection: IP20, number of positions: 8, 10 Gbps, CAT6<sub>A</sub>, material: Metal, connection method: IDC connection, connection cross section: AWG 26- 22, cable outlet: straight, Adapter-free design, Ethernet

## VS-08-RJ45-5-Q/IP20 - RJ45 connector

1656725

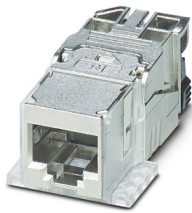
<https://www.phoenixcontact.com/in/products/1656725>



## CUC-F-J1ZNI-S/R4IDC8 - RJ45 socket insert

1418984

<https://www.phoenixcontact.com/in/products/1418984>



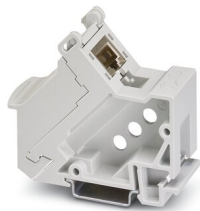
RJ45 socket insert, design: RJ45, degree of protection: IP20, number of positions: 8, 10 Gbps, CAT6<sub>A</sub>, material: Metal, connection method: IDC connection, connection cross section: AWG 26- 22, cable outlet: straight, Freenet design for use with IP67 panel mounting frame and terminal outlets, Ethernet

---

## CUC-PP-D1PGY/R4GC8 - DIN rail adapter

1418094

<https://www.phoenixcontact.com/in/products/1418094>



DIN rail adapter, design: RJ45, degree of protection: IP20, number of positions: 8, 1 Gbps, CAT6, material: PC-GF, connection method: Coupling, color: gray

## VS-08-RJ45-5-Q/IP20 - RJ45 connector

1656725

<https://www.phoenixcontact.com/in/products/1656725>



## CUC-K-J1ZNI-S/R4IDC8 - RJ45 socket insert

1419021

<https://www.phoenixcontact.com/in/products/1419021>



RJ45 socket insert, design: RJ45, degree of protection: IP20, number of positions: 8, 10 Gbps, CAT6<sub>A</sub>, material: Metal, connection method: IDC connection, connection cross section: AWG 26- 22, cable outlet: straight, Keystone design for use with IP20 panel mounting frame or integrated directly into the housing panel, Ethernet

---

## VS-OE-OE-93B-100,0 - Data cable

1416389

<https://www.phoenixcontact.com/in/products/1416389>



Data cable, PROFINET CAT5 (100 Mbps), 4-position, shielded, free cable end, on free cable end, cable length: 100 m

# VS-08-RJ45-5-Q/IP20 - RJ45 connector

1656725

<https://www.phoenixcontact.com/in/products/1656725>

## VS-OE-OE-93B/... - Data cable

1417362

<https://www.phoenixcontact.com/in/products/1417362>



Data cable, PROFINET CAT5 (100 Mbps), 4-position, shielded, free cable end, on free cable end, cable length: Free entry (0.5 ... 400 m)

---

## VS-OE-OE-94B-100,0 - Data cable

1416567

<https://www.phoenixcontact.com/in/products/1416567>



Data cable, Ethernet CAT5 (1 Gbps), 8-position halogen-free, shielded, free cable end, on free cable end, cable length: 100 m

# VS-08-RJ45-5-Q/IP20 - RJ45 connector

1656725

<https://www.phoenixcontact.com/in/products/1656725>



## VS-OE-OE-94B/... - Data cable

1417333

<https://www.phoenixcontact.com/in/products/1417333>



Data cable, Ethernet CAT5 (1 Gbps), 8-position halogen-free, shielded, free cable end, on free cable end, cable length: Free entry (0.5 ... 400 m)

---

Phoenix Contact 2023 © - all rights reserved

<https://www.phoenixcontact.com>

PHOENIX CONTACT (I) Pvt. Ltd.

A-58/2, Okhla Industrial Area, Phase - II, New Delhi-110 020

+91.1275.71420

[info@phoenixcontact.co.in](mailto:info@phoenixcontact.co.in)