

# Product data sheet

Specifications



## door mounting kit, Altivar, for remote graphic terminal, IP54

VW3A1102

### Main

Range of product	Altivar
Accessory / separate part category	Mounting and fixing accessory
Accessory / separate part type	Mounting kit
Accessory / separate part destination	Variable speed drive
Range compatibility	Altivar 71 Altivar 71Q Altivar 32 Altivar 61 Altivar 212 Altivar 61Q Altivar Machine ATV320
IP degree of protection	IP54

### Complementary

Kit composition	Screws and bolts for mounting Mounting hardware
Net weight	0.15 kg

### Packing Units

Unit Type of Package 1	PCE
Number of Units in Package 1	1
Package 1 Height	7.500 cm
Package 1 Width	16.500 cm
Package 1 Length	23.000 cm
Package 1 Weight	222.000 g
Unit Type of Package 2	S03
Number of Units in Package 2	7
Package 2 Height	30.000 cm
Package 2 Width	30.000 cm
Package 2 Length	40.000 cm
Package 2 Weight	2.037 kg
Unit Type of Package 3	P06

<b>Number of Units in Package 3</b>	56
<b>Package 3 Height</b>	75.000 cm
<b>Package 3 Width</b>	60.000 cm
<b>Package 3 Length</b>	80.000 cm
<b>Package 3 Weight</b>	26.636 kg

## Offer Sustainability

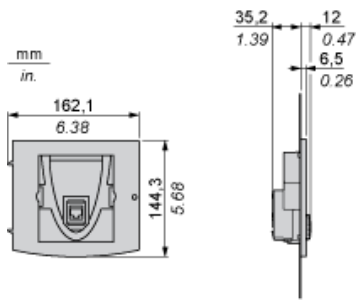
<b>REACH Regulation</b>	<a href="#">REACH Declaration</a>
<b>REACH free of SVHC</b>	Yes
<b>EU RoHS Directive</b>	Pro-active compliance (Product out of EU RoHS legal scope) <a href="#">EU RoHS Declaration</a>
<b>Toxic heavy metal free</b>	Yes
<b>Mercury free</b>	Yes
<b>China RoHS Regulation</b>	<a href="#">China RoHS declaration</a>
<b>RoHS exemption information</b>	Yes
<b>California proposition 65</b>	WARNING: This product can expose you to chemicals including: Lead and lead compounds, which is known to the State of California to cause cancer and birth defects or other reproductive harm. For more information go to <a href="http://www.P65Warnings.ca.gov">www.P65Warnings.ca.gov</a>

## Contractual warranty

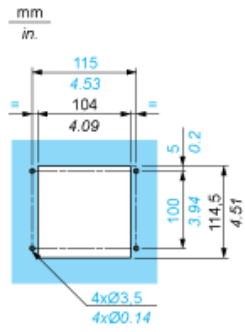
<b>Warranty</b>	18 months
-----------------	-----------

Door Mounting Kit for Remote Graphic Display Terminal

Dimensions and Mounting



Cuts-outs and drill holes



Recommended replacement(s)