

# Product data sheet

Specifications



## Discrete output module, Modicon M238 logic controller, 8 outputs relay, 1 removable screw terminal block

TM2DRA8RT

⚠ Discontinued - Service only

⚠ Discontinued on: 28 June 2019

⚠ To be end-of-service on: 30 June 2024

### Main

Range of product	Modicon M238 logic controller
Product or component type	Discrete output module
Discrete output number	8
Discrete output type	Relay

### Complementary

Range compatibility	Advantys OTB Twido
Discrete output function	1 NO
Current per channel	2 A
Maximum current per output common	7 A
Number of common point	2
Contact resistance	45 mOhm
Response time	<= 10 ms from state 0 to state 1 for input <= 5 ms from state 1 to state 0 for input
Minimum switching current	0.1 mA at 0.1 V DC
Isolation between channels	1500 V for 1 minute
Isolation between channels and internal logic	2300 V for 1 minute
Isolation between output channels group	1500 V for 1 minute
Mechanical durability	2000000 cycles
Electrical durability	100000 cycles 0.5 A AC-15 240 V AC cos phi = 0.35 inductive 100000 cycles 1 A AC-15 240 V AC cos phi = 0.7 inductive 100000 cycles 1 A DC-13 24 V DC inductive (L/R = 7 ms) 100000 cycles 2 A 240 V AC resistive 100000 cycles 2 A 30 V DC resistive
Current consumption	30 mA at 5 V DC at state 1 for all output 40 mA at 24 V DC at state 1 for all output
Local signalling	1 display block
Electrical connection	1 removable screw terminal block
Mounting support	35 mm symmetrical DIN rail

Net weight	0.11 kg
------------	---------

## Environment

Depth	84.6 mm
Height	90 mm
Width	27.3 mm

## Packing Units

Unit Type of Package 1	PCE
Number of Units in Package 1	1
Package 1 Height	7.5 cm
Package 1 Width	10.5 cm
Package 1 Length	12.5 cm
Package 1 Weight	203.0 g
Unit Type of Package 2	S01
Number of Units in Package 2	6
Package 2 Height	15.0 cm
Package 2 Width	15.0 cm
Package 2 Length	40.0 cm
Package 2 Weight	1.347 kg

## Offer Sustainability

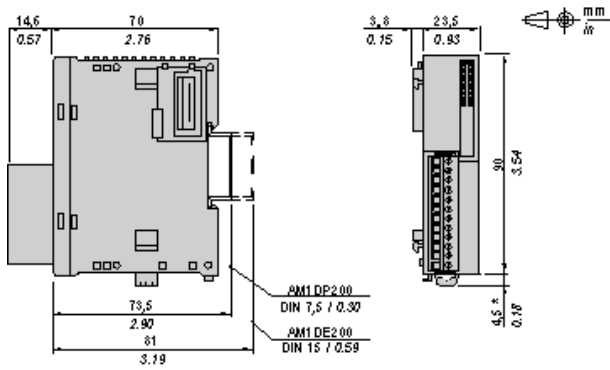
Sustainable offer status	Green Premium product
REACH Regulation	<a href="#">REACH Declaration</a>
REACH free of SVHC	Yes
EU RoHS Directive	Pro-active compliance (Product out of EU RoHS legal scope) <a href="#">EU RoHS Declaration</a>
Mercury free	Yes
China RoHS Regulation	<a href="#">China RoHS declaration</a>
RoHS exemption information	<a href="#">Yes</a>
Environmental Disclosure	<a href="#">Product Environmental Profile</a>
Circularity Profile	<a href="#">End of Life Information</a>
WEEE	The product must be disposed on European Union markets following specific waste collection and never end up in rubbish bins
PVC free	Yes
California proposition 65	WARNING: This product can expose you to chemicals including: Lead and lead compounds, which is known to the State of California to cause cancer and birth defects or other reproductive harm. For more information go to <a href="http://www.P65Warnings.ca.gov">www.P65Warnings.ca.gov</a>

## Contractual warranty

Warranty	18 months
----------	-----------

## Digital Relay Output Module (8-contact)

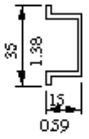
### Dimensions



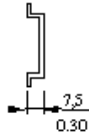
NOTE: \* 8.5 mm (0.33 in) when the clamp is pulled out.

**DIN Rail Mounting**

AM1DE200  
 IEC/EN 60715



AM1DP200



AM1ED200



DZ5MB200

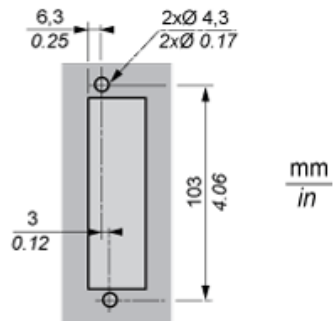
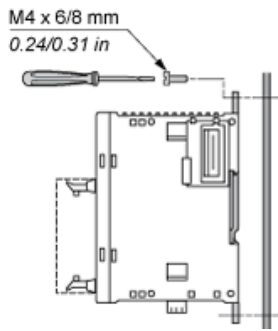


Rail depth	Catalogue part number
15 mm (0.59 in.)	AM1DE200
7,5 mm (0.30 in.)	AM1DP200

NOTE: Do not use AM1ED200 and DZ5MB200

Module Mounting on a Panel Surface

Mounting Hole Layout



**Wiring Requirements**

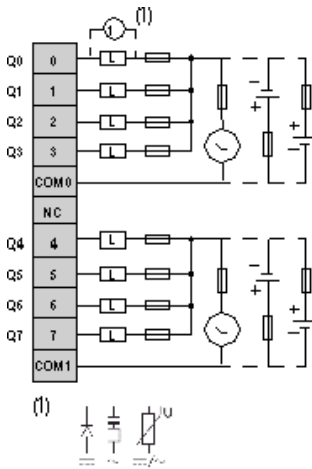
---

**Cable Types and Wire Sizes for Removable Screw Terminal Block**

 9 0.35 mm in.							
mm <sup>2</sup>	0,14...1,5	0,25...0,5	0,25...1,5	0,14...0,5	0,14...0,75	0,25...0,34	0,5
AWG	26...16	24...20	24...16	26...20	26...18	24...22	20

## Digital Relay Output Module (8-contact)

### Wiring Diagram



L Load  
Fuse value for the load: 7 A

### Recommended replacement(s)

TM2DRA8RT is replaced by the following product range:



#### Modicon TM3

Expansion I/O modules for Modicon M221, M241, M251 and M262

Products: 65