

Product data sheet

Specifications



temperature control relay REG - 24 x 48 mm - 100..240 V AC - 1 solid state relay

REG24PTP1ALHU

❗ Discontinued on: 06 January 2016

❗ Discontinued

Main

Range of product	Zelio Control
Product or component type	Modular measurement and control relays
Relay type	Temperature control relays
Product specific application	Heating or cooling Packaging HVAC Industrial machines
Relay name	REG

Complementary

Outer dimension	1/32 DIN 24 x 48 mm
Analogue input type	Temperature probe for Pt 100 Thermocouple for thermocouple J, K, R, B, S, T, E, N, PLII
[Us] rated supply voltage	100...240 V AC
Supply voltage limits	85...264 V
Measurement accuracy	0.5 % full scale
Sampling duration	500 ms
Number of outputs	1 solid state output
Output type	Solid state 24 V DC 20 mA
Alarm output	1 C/O
Power consumption in VA	6 VA at 100 V AC 8 VA at 240 V AC
Function available	Hysteresis on-off PID Auto tuning Ramp 8 steps Fuzzy logic
Marking	CE
Operating position	Any position
Display type	7 segments LCD
Display digits	4
Signalling function	Setpoint value indicator (SV) LED green Process output 1 active (C1) LED red Modbus alarm (AL2) LED

Output relay alarm (AL1) LED
Process value LCD display

Mounting support 35 mm symmetrical DIN rail
Panel

Environment

Standards EN 61326-1
CSA C22.2 No 24-93
EN 61010-1

Product certifications cURus (873)
GOST

Ambient air temperature for storage -20...60 °C

Ambient air temperature for operation -10...50 °C

Relative humidity 90 % without condensation

Operating altitude 2000 m

Storage altitude 0...3000 m

Vibration resistance 1 gn (f= 10...70 Hz) conforming to IEC 60068-2-6

Shock resistance 5 gn conforming to IEC 60068-2-27

IP degree of protection IP66 (front face) conforming to IEC 60529
IP20 (rear)

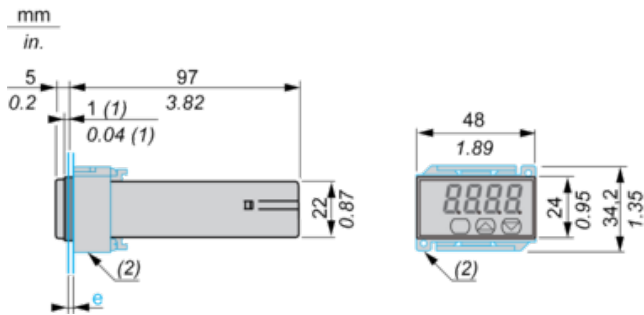
NEMA degree of protection NEMA 4X front face

Contractual warranty

Warranty 18 months

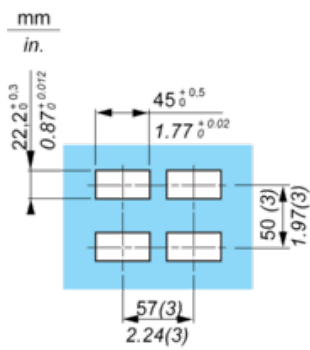
24 x 48 Size – 1/32 DIN Standard

Panel Mounting: Bracket Supplied



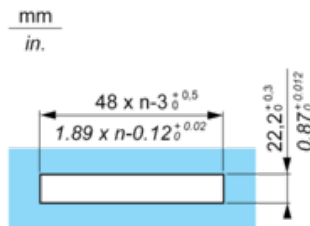
- (1) Seal
- (2) Fixing brackets supplied with REG temperature control relays.

Panel cut-out

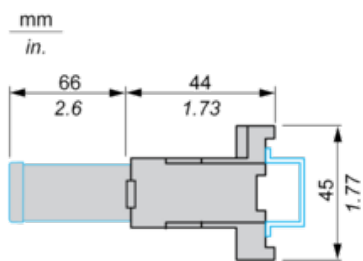


- (3) Minimum value.

Side stick mounting: n units (water-proof property lost in this case)

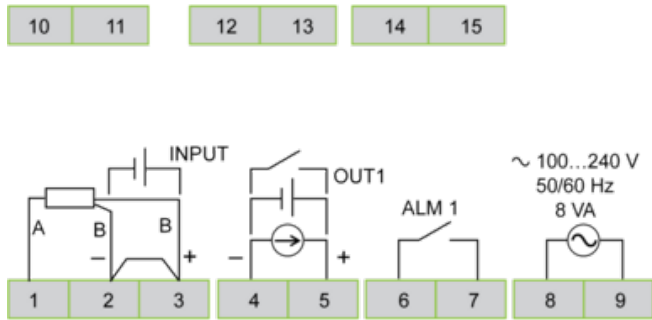


Mounting on DIN Rail with Accessory REG24PSOC



Temperature Control Relays

Wiring Diagram



Recommended replacement(s)