

Product data sheet

Specifications



temperature control relay REG - 48 x 48 mm - 100..240 V AC - 1 relay NO

REG48PUN2LRHU

❗ Discontinued on: 06 January 2016

❗ Discontinued

Main

Range of product	Zelio Control
Product or component type	Modular measurement and control relays
Relay type	Temperature control relays
Product specific application	HVAC Heating and cooling Packaging Industrial machines
Relay name	REG

Complementary

Outer dimension	1/16 DIN 48 x 48 mm
Analogue input type	Temperature probe for Pt 100 Thermocouple for thermocouple J, K, R, B, S, T, E, N, PLII Current: 4...20 mA Voltage: 1...5 V Current: 0...20 mA Voltage: 0...0.1 V Voltage: 0...10 V Voltage: 0...5 V Voltage: 2...10 V
[Us] rated supply voltage	100...240 V AC
Supply voltage limits	85...264 V
Measurement accuracy	0.3 % full scale
Sampling duration	200 ms
Number of outputs	1 solid state output 1 relay output with NO contact
Output type	Solid state 24 V DC 20 mA Relay 220 V AC 3 A
Alarm output	2 C/O
Power consumption in VA	12 VA at 100...240 V AC
Communication port protocol	Modbus
Method of access	Slave
Transmission frame	RTU
Physical interface	RS485 non isolated
Exchange mode	Half duplex

Transmission rate	9600, 19200 kbit/s
Function available	Soft start Manual operation Auto tuning PID Hysteresis on-off Fuzzy logic Ramp 16 steps
Marking	CE
Operating position	Any position
Display type	7 segments LCD
Display digits	4
Signalling function	Setpoint value indicator (SV) LED green Process output 1 active (C1) LED red Alarm output 1 active (D01) LED green Alarm output 2 active (D02) LED green Process output 2 active (C2) LED red Process value indicator (PV) LED red Process value LCD display Setpoint value LCD display
Mounting support	Panel

Environment

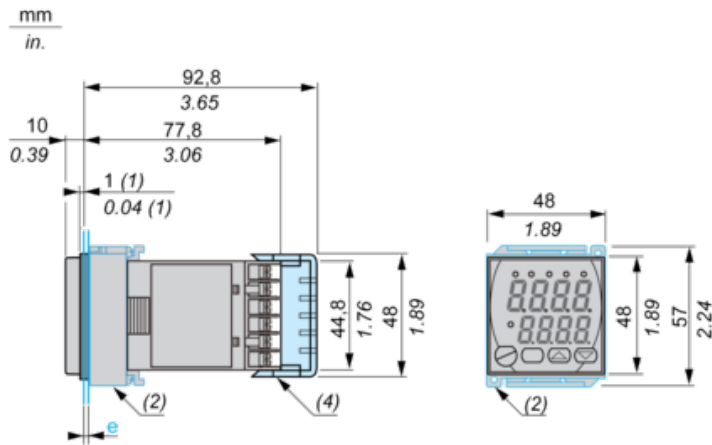
Standards	EN 61010-1 EN 61326-1 CSA C22.2 No 24-93
Product certifications	cURus (873) GOST
Ambient air temperature for storage	-20...60 °C
Ambient air temperature for operation	-10...50 °C
Relative humidity	90 % without condensation
Operating altitude	2000 m
Storage altitude	0...3000 m
Vibration resistance	1 gn (f= 10...70 Hz) conforming to IEC 60068-2-6
Shock resistance	5 gn conforming to IEC 60068-2-27
IP degree of protection	IP66 (front face) conforming to IEC 60529 IP20 (rear)
NEMA degree of protection	NEMA 4X front face

Contractual warranty

Warranty	18 months
-----------------	-----------

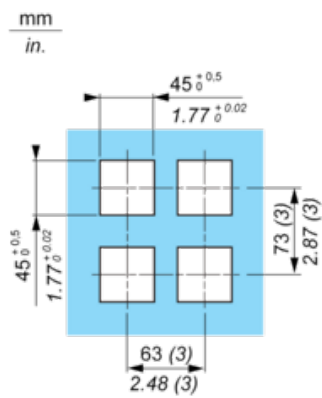
48 x 48 Size – 1/16 DIN Standard

Panel Mounting: Bracket Supplied

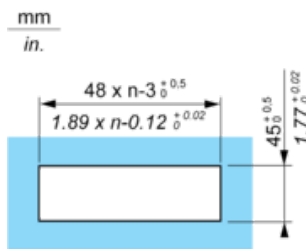


- (1) Seal
- (2) Fixing brackets supplied with **REG** temperature control relays.
- (4) Terminal block cover, to be ordered separately.

Panel cut-out

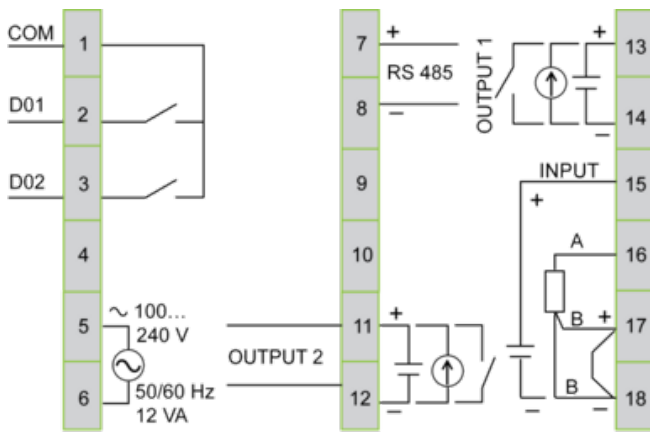


- (3) Minimum value.
- Side stick mounting: n units (water-proof property lost in this case)



Temperature Control Relays

Wiring Diagram



Recommended replacement(s)