

# Product datasheet

Specifications



temperature control relay RTC -  
48x48 mm - 100..240 V AC - 1 SSR,  
comm, alarm

RTC48PUNCSNHU

❗ Discontinued on: 27 January 2022

❗ Discontinued

## Main

Range of product	Zelio Control
Product or component type	Modular measurement and control relays
Relay type	Temperature control relays
Product specific application	Packaging Heating or cooling Industrial machines HVAC
Relay name	RTC

## Complementary

Outer dimension	48 x 48 mm 1/16 DIN
Analogue input type	Thermocouple (thermocouple J, K, R, B, S, T, E, N, PLII, C(W/Re5-26)) Temperature probe (temperature probe: Pt 100, JPt 100) Voltage 0...1 V DC Voltage 0...5 V DC Voltage 1...5 V DC Voltage 0...10 V DC Current 0...20 mA Current 4...20 mA
[Us] rated supply voltage	100...240 V AC 100...240 V AC
Supply voltage limits	85...264 V
Measurement accuracy	0.2 % full scale
Sampling duration	250 ms
Number of outputs	1 solid state output for output 1
Output type	Solid state output at 12 V DC / 40 mA
Alarm output	1 C/O
Power consumption in VA	8 VA at 250 V AC
Communication port protocol	Modbus RTU and ASCII
Method of access	Slave
Transmission frame	RTU/ASCII
Physical interface	RS485 non isolated
Exchange mode	Half duplex

<b>Transmission rate</b>	9600, 19200 kbit/s
<b>Function available</b>	Auto tuning PID
<b>Marking</b>	CE
<b>Operating position</b>	Any position
<b>Display type</b>	11 segments LCD
<b>Display digits</b>	5
<b>Signalling function</b>	Process value green, orange and red Output status (OUT1, OUT2) orange Alarm status (EV1, EV2) orange Transmission/reception activity (TX/TR) orange Setpoint value green
<b>Mounting support</b>	Panel
<b>Net weight</b>	120 g

## Environment

<b>Standards</b>	EN 61326-1 CSA C22.2 No 24-93 EN 61010-1
<b>Product certifications</b>	cURus (873)
<b>Ambient air temperature for storage</b>	-25...80 °C
<b>Ambient air temperature for operation</b>	0...50 °C
<b>Relative humidity</b>	35...85 % without condensation
<b>Vibration resistance</b>	1 gn (f= 10...55 Hz) conforming to IEC 60068-2-6
<b>Shock resistance</b>	10 gn conforming to IEC 60068-2-27
<b>IP degree of protection</b>	IP66 (front face) conforming to IEC 60529 IP20 (rear)
<b>NEMA degree of protection</b>	NEMA 4X front face

## Packing Units

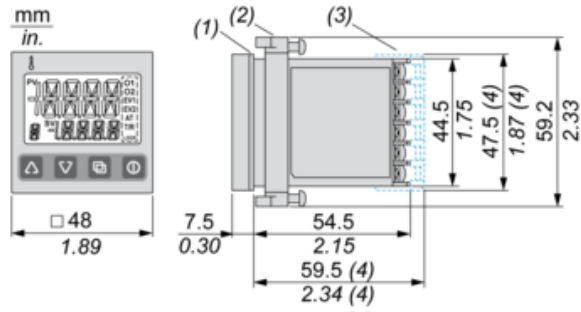
<b>Unit Type of Package 1</b>	PCE
<b>Number of Units in Package 1</b>	1
<b>Package 1 Height</b>	6.1 cm
<b>Package 1 Width</b>	6.4 cm
<b>Package 1 Length</b>	8.7 cm
<b>Package 1 Weight</b>	135 g

## Offer Sustainability

<b>REACH Regulation</b>	<a href="#">REACH Declaration</a>
<b>EU RoHS Directive</b>	Pro-active compliance (Product out of EU RoHS legal scope) <a href="#">EU RoHS Declaration</a>
<b>Mercury free</b>	Yes
<b>China RoHS Regulation</b>	<a href="#">China RoHS declaration</a>
<b>RoHS exemption information</b>	Yes
<b>Environmental Disclosure</b>	<a href="#">Product Environmental Profile</a>
<b>Circularity Profile</b>	<a href="#">End of Life Information</a>
<b>WEEE</b>	The product must be disposed on European Union markets following specific waste collection and never end up in rubbish bins

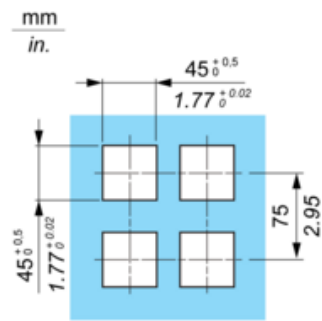
**48 x 48 Size – 1/16 DIN Standard**

**Panel Mounting : Mounting Frame Supplied**

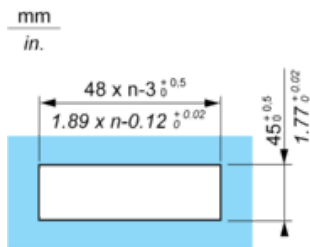


- (1) Gasket
- (2) Mounting frame
- (3) Terminal cover, to be ordered separately.
- (4) When Terminal cover (sold separately) is used

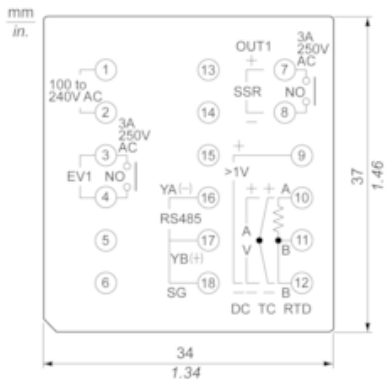
**Panel cut-out**



Side stick mounting: n units (water-proof property lost in this case)



**Wiring Diagram**



- EV : Alarm output
- OUT : Control output
- DC : DC current or DC voltage input
- TC : Thermocouple input
- RTD : Resistance temperature detector input
- RS485 : Serial communication
- SSR : Solid State relay

**Recommended replacement(s)**