

SACC-DSI-FS-8CON-L180 SCO - Device connector, rear mounting



1542774

<https://www.phoenixcontact.com/in/products/1542774>

Please be informed that the data shown in this PDF document is generated from our Online Catalog. Please find the complete data in the user documentation. Our General Terms of Use for Downloads are valid.



Device connector, rear mounting, 8-position, Socket, straight, M12-SPEEDCON, coding: A , Rear mounting, Pg9, Solder pins, Alternative product in accordance with RoHS II without Exemption 6c (Pb <0.1%) item no.: 1239962

Your advantages

- Easy PCB assembly: one-piece connectors for wave soldering
- All standard pin assignments and codings for signal, data, and power transmission with a uniform design-in design
- SPEEDCON fast locking system reduces cabling times

Commercial Data

Item number	1542774
Packing unit	20 pc
Minimum order quantity	20 pc
Sales Key	ABQ
Product Key	ABQCAB
Catalog Page	Page 246 (C-2-2013)
GTIN	4046356097789
Weight per Piece (including packing)	13.265 g
Weight per Piece (excluding packing)	13.265 g
Customs tariff number	85366990
Country of origin	DE

SACC-DSI-FS-8CON-L180 SCO - Device connector, rear mounting



1542774

<https://www.phoenixcontact.com/in/products/1542774>

Technical Data

Notes

Notes on operation	The electrical and mechanical data specified assume that the connector pair is correctly locked and mounted. If the connector is unlocked and if there is a danger of contamination, the connector must be sealed using a protective cap > IP54. Influences arising from litz wires, cables or PCB assembly must also be taken into consideration.
--------------------	--

Mounting

Mounting type	Rear mounting Pg9 With flat nut
Assembly instructions	With flat nut

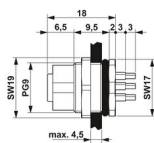
Product properties

Product type	Circular connectors (device side)
Number of positions	8
Shielded	no
Coding	A

Insulation characteristics

Overvoltage category	III
Degree of pollution	3

Dimensions

Dimensional drawing	
Length of the solder pin	6 mm
	6 mm

Material specifications

Flammability rating according to UL 94	V0
Seal material	NBR
Contact material	CuZn
Contact surface material	Au
Contact carrier material	PA 6.6
Material for screw connection	Zinc die-cast, nickel-plated

Electrical properties

Rated surge voltage	0.8 kV
Contact resistance	≤ 3 mΩ

SACC-DSI-FS-8CON-L180 SCO - Device connector, rear mounting



1542774

<https://www.phoenixcontact.com/in/products/1542774>

Insulation resistance	≥ 100 MΩ
Nominal voltage U _N	30 V
Nominal current I _N	2 A
Test voltage	0.8 kV

Connection data

Conductor connection

Connection method	Solder pins
Tightening torque	2 Nm
	3 Nm

Connector

Connection 1

Head design	Socket
Head cable outlet	straight
Head thread type	M12
Head locking type	SPEEDCON
Coding	A

Cable/line

Ambient temperature (operation)	-40 °C ... 85 °C (cable, fixed installation)
	-25 °C ... 85 °C (Cable, flexible installation)

Environmental and real-life conditions

Ambient conditions

Degree of protection	IP67 (When plugged in)
	IP65 (When plugged in)
	IP65/IP67
Ambient temperature (operation)	-25 °C ... 85 °C (Plug / socket)
	-40 °C ... 85 °C (without mechanical actuation)
	-25 °C ... 85 °C (Cable, flexible installation)
	-40 °C ... 85 °C (cable, fixed installation)

Standards and regulations

M12

Standards/specifications	IEC 61076-2-101
--------------------------	-----------------

SACC-DSI-FS-8CON-L180 SCO - Device connector, rear mounting

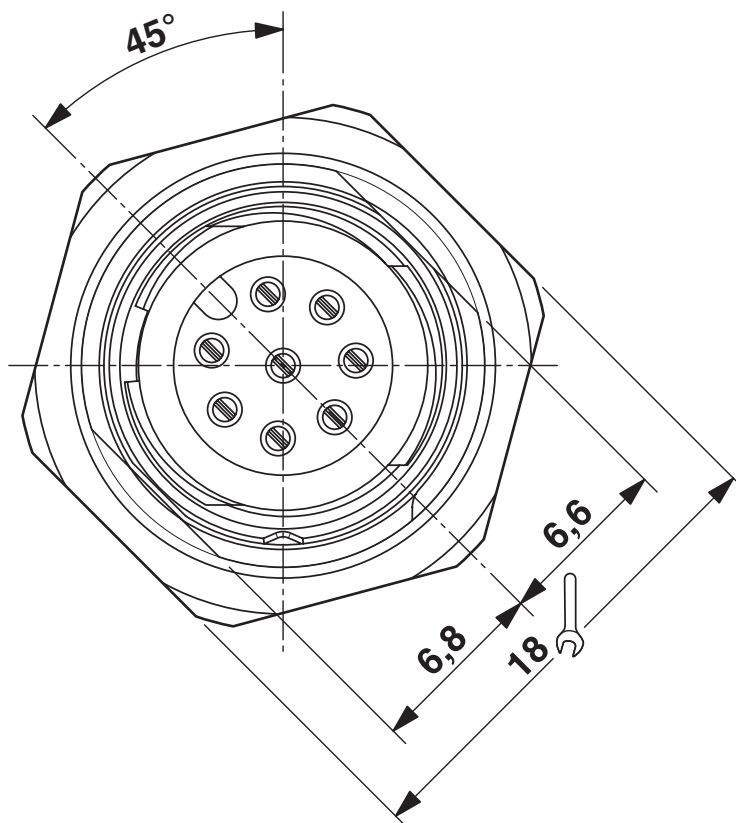


1542774

<https://www.phoenixcontact.com/in/products/1542774>

Drawings

Dimensional drawing



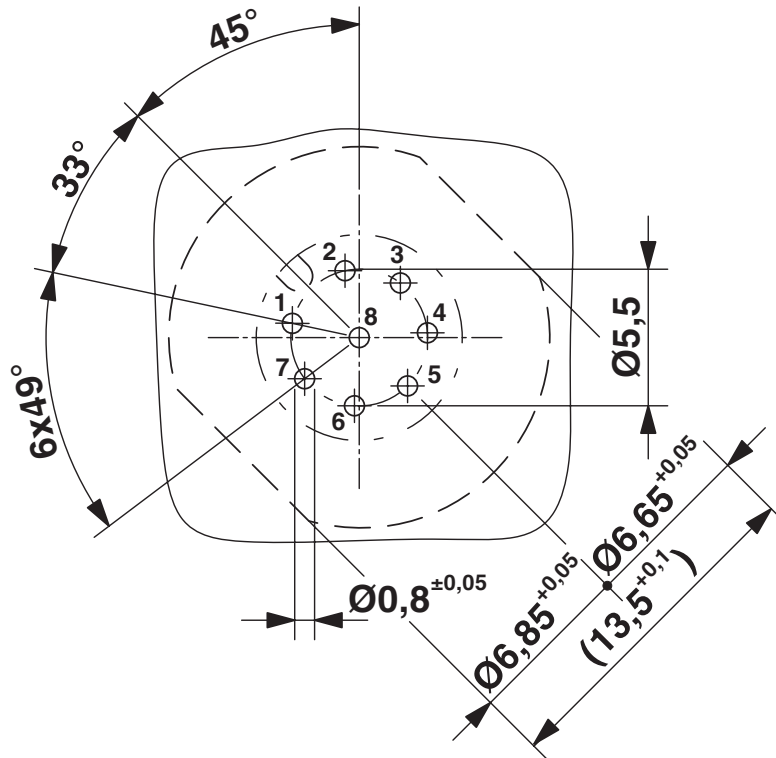
M12 front view

SACC-DSI-FS-8CON-L180 SCO - Device connector, rear mounting

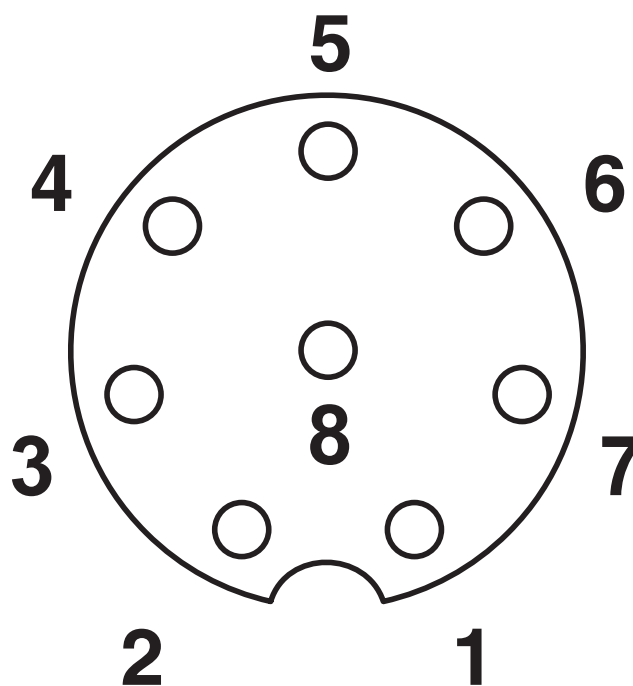
1542774

<https://www.phoenixcontact.com/in/products/1542774>

Drilling plan/solder pad geometry



Schematic diagram



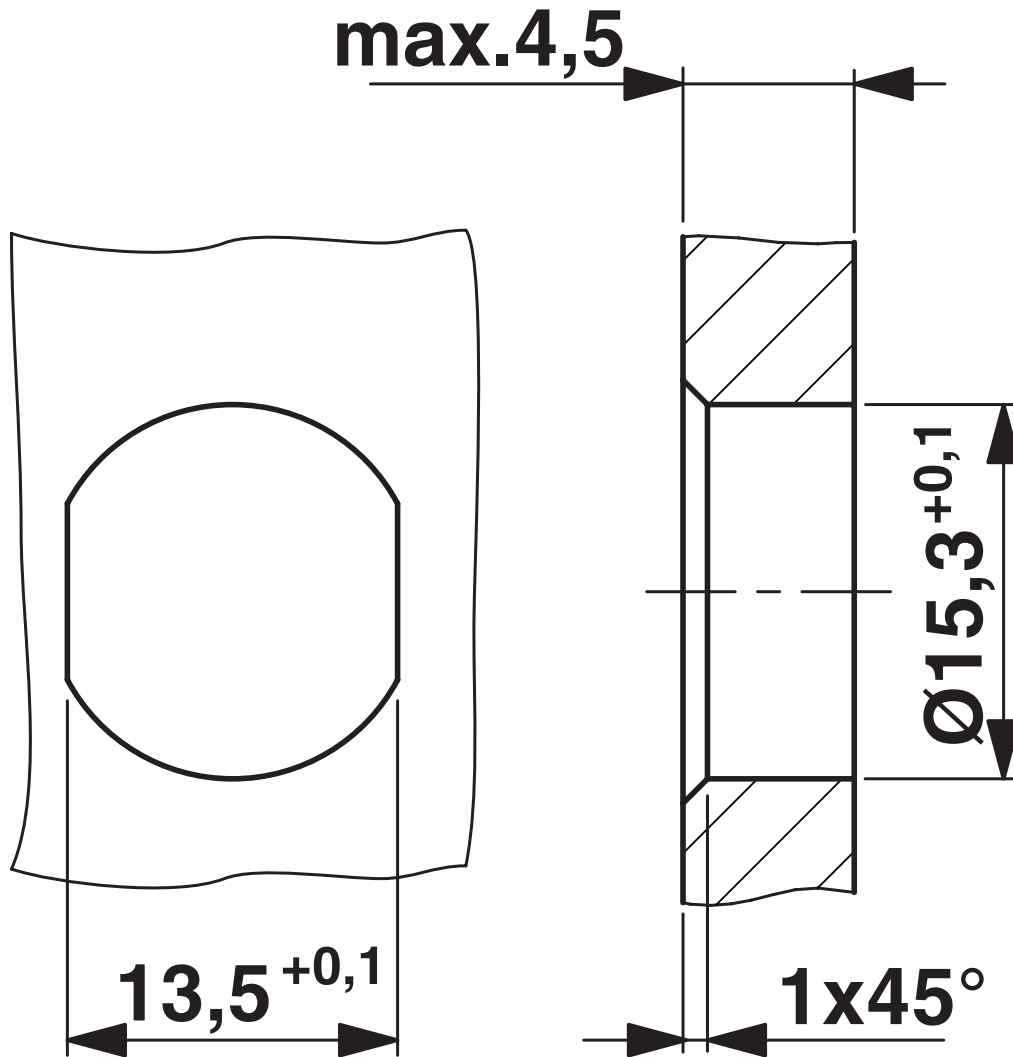
Pin assignment M12 socket, 8-pos., A-coded, view female side

SACC-DSI-FS-8CON-L180 SCO - Device connector,
rear mounting

1542774

<https://www.phoenixcontact.com/in/products/1542774>

Dimensional drawing

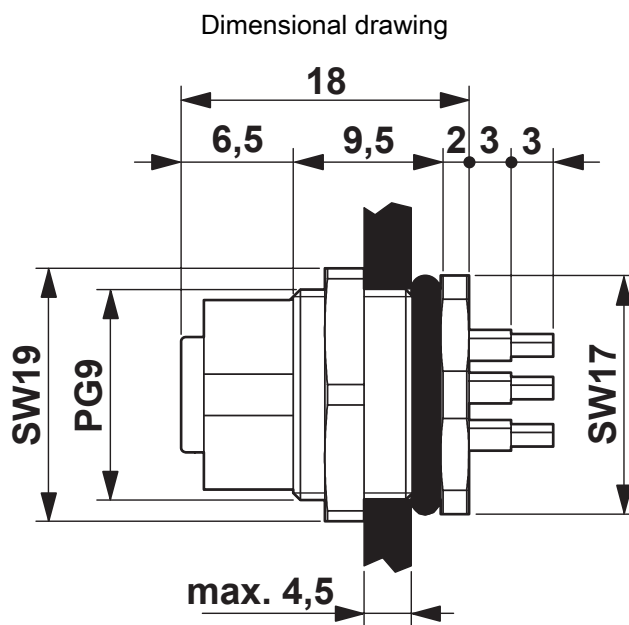


Housing cutout for Pg9 fastening thread, mounting panel with feed-through hole (alternatively with area as anti-rotation protection for panel thicknesses > 2 mm up to max. 4.5 mm)

SACC-DSI-FS-8CON-L180 SCO - Device connector, rear mounting

1542774

<https://www.phoenixcontact.com/in/products/1542774>



Dimensional drawing


SACC-DSI-FS-8CON-L180 SCO - Device connector, rear mounting




1542774

<https://www.phoenixcontact.com/in/products/1542774>

Approvals

	UL Recognized Approval ID: E118976-20100522				
	Nominal Voltage U_N	Nominal Current I_N	Cross Section AWG	Cross Section mm^2	
	30 V	2 A	- 24	-	

	EAC Approval ID: B.01687				
---	------------------------------------	--	--	--	--

	cULus Recognized Approval ID: E221474-20140616				
	Nominal Voltage U_N	Nominal Current I_N	Cross Section AWG	Cross Section mm^2	
	30 V	2 A	24 - 22	-	

SACC-DSI-FS-8CON-L180 SCO - Device connector, rear mounting



1542774

<https://www.phoenixcontact.com/in/products/1542774>

Classifications

ECLASS

ECLASS-11.0	27440102
ECLASS-12.0	27440116
ECLASS-13.0	27440116

ETIM

ETIM 8.0	EC002635
----------	----------

UNSPSC

UNSPSC 21.0	39121400
-------------	----------

SACC-DSI-FS-8CON-L180 SCO - Device connector, rear mounting



1542774

<https://www.phoenixcontact.com/in/products/1542774>

Environmental Product Compliance

REACH SVHC	Lead 7439-92-1
China RoHS	Environmentally Friendly Use Period = 50 years
	For information on hazardous substances, refer to the manufacturer's declaration available under "Downloads"

SACC-DSI-FS-8CON-L180 SCO - Device connector, rear mounting



1542774

<https://www.phoenixcontact.com/in/products/1542774>

Accessories

SACC-PG9-SEAL CLM - Flat gasket

1556320

<https://www.phoenixcontact.com/in/products/1556320>

Pg9 flat gasket, for M12 flush-type connectors with Pg9 fastening thread



PROT-M12 - Screw plug

1680539

<https://www.phoenixcontact.com/in/products/1680539>

An M12 screw plug for the unoccupied M12 sockets of the sensor/actuator cable, boxes and flush-type connectors



SACC-DSI-FS-8CON-L180 SCO - Device connector, rear mounting



1542774

<https://www.phoenixcontact.com/in/products/1542774>

PROT-M12 SH - Screw plug

1503302

<https://www.phoenixcontact.com/in/products/1503302>



An M12 screw plug for the unoccupied M12 sockets of the shielded sensor/actuator cable, boxes and flush-type connectors

PROT-M12 FB - Screw plug

1555538

<https://www.phoenixcontact.com/in/products/1555538>



M12 high-grade steel screw plug, for unoccupied M12 sockets of the sensor/actuator cables, boxes and flush-type connectors for the food industry

Phoenix Contact 2023 © - all rights reserved

<https://www.phoenixcontact.com>

PHOENIX CONTACT (I) Pvt. Ltd.

A-58/2, Okhla Industrial Area, Phase - II, New Delhi-110 020

+91.1275.71420

info@phoenixcontact.co.in