

SACC-DSI-M 8FS-4CON-L180 - Device connector, rear mounting



1694376

<https://www.phoenixcontact.com/in/products/1694376>

Please be informed that the data shown in this PDF document is generated from our Online Catalog. Please find the complete data in the user documentation. Our General Terms of Use for Downloads are valid.



Device connector, rear mounting, 4-position, Socket, straight, M8, Rear mounting, M12 x 1, Solder pins

Your advantages

- Easy PCB assembly: one-piece connectors for wave soldering
- Standard pin assignments and codings for signal transmission with a uniform design-in design
- For high transmission reliability: optional shield connection to the housing and latching on the PCB

Commercial Data

Item number	1694376
Packing unit	20 pc
Minimum order quantity	20 pc
Sales Key	ABQ
Product Key	ABQBAB
Catalog Page	Page 226 (C-2-2013)
GTIN	4017918178659
Weight per Piece (including packing)	13.5 g
Weight per Piece (excluding packing)	13.5 g
Customs tariff number	85366990
Country of origin	DE

SACC-DSI-M 8FS-4CON-L180 - Device connector, rear mounting



1694376

<https://www.phoenixcontact.com/in/products/1694376>

Technical Data

Mounting

Mounting type	Rear mounting M12 x 1 With flat nut
Assembly instructions	With flat nut

Product properties

Product type	Circular connectors (device side)
Number of positions	4
Shielded	no
Coding	A

Insulation characteristics

Overvoltage category	II
Degree of pollution	3

Material specifications

Flammability rating according to UL 94	HB
Seal material	NBR
Contact material	CuSn
Contact surface material	Au
Contact carrier material	PA 6.6
Material for screw connection	Nickel-plated brass

Electrical properties

Rated surge voltage	1.5 kV
Contact resistance	$\leq 3 \text{ m}\Omega$
Insulation resistance	$\geq 100 \text{ M}\Omega$
Nominal voltage U_N	48 V AC
	60 V DC
Nominal current I_N	4 A

Connection data

Conductor connection

Connection method	Solder pins
Tightening torque	1 Nm
	1.5 Nm

Connector

Connection 1

Head design	Socket
Head cable outlet	straight

SACC-DSI-M 8FS-4CON-L180 - Device connector, rear mounting



1694376

<https://www.phoenixcontact.com/in/products/1694376>

Head thread type	M8
------------------	----

Environmental and real-life conditions

Ambient conditions

Degree of protection	IP67
	IP67
Ambient temperature (operation)	-40 °C ... 85 °C
	-25 °C ... 85 °C

Standards and regulations

M8

Standards/specifications	IEC 61076-2-104
--------------------------	-----------------

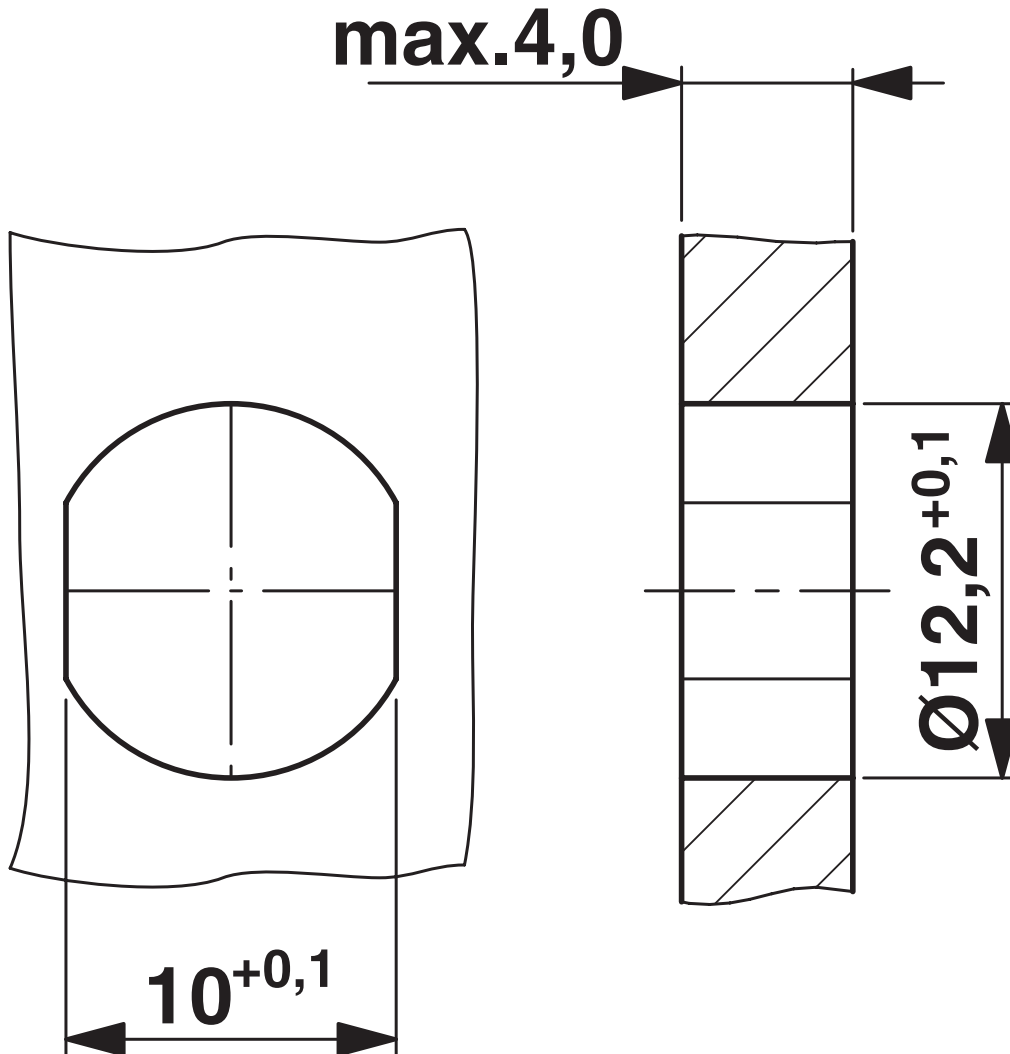
SACC-DSI-M 8FS-4CON-L180 - Device connector,
rear mounting

1694376

<https://www.phoenixcontact.com/in/products/1694376>

Drawings

Dimensional drawing



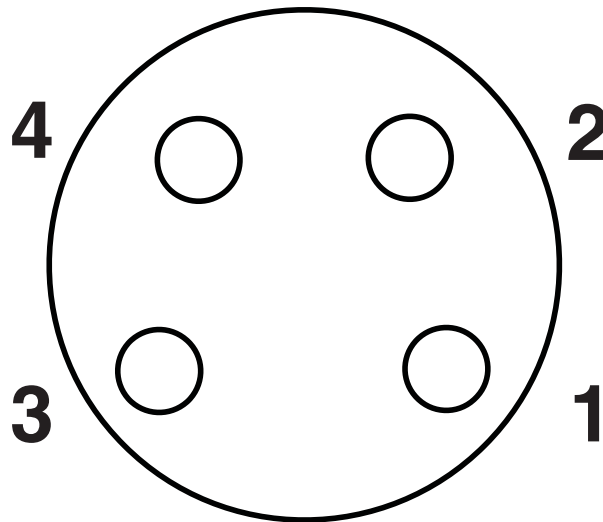
Housing cutout for M8 flush-type connector, socket, one-section

SACC-DSI-M 8FS-4CON-L180 - Device connector, rear mounting

1694376

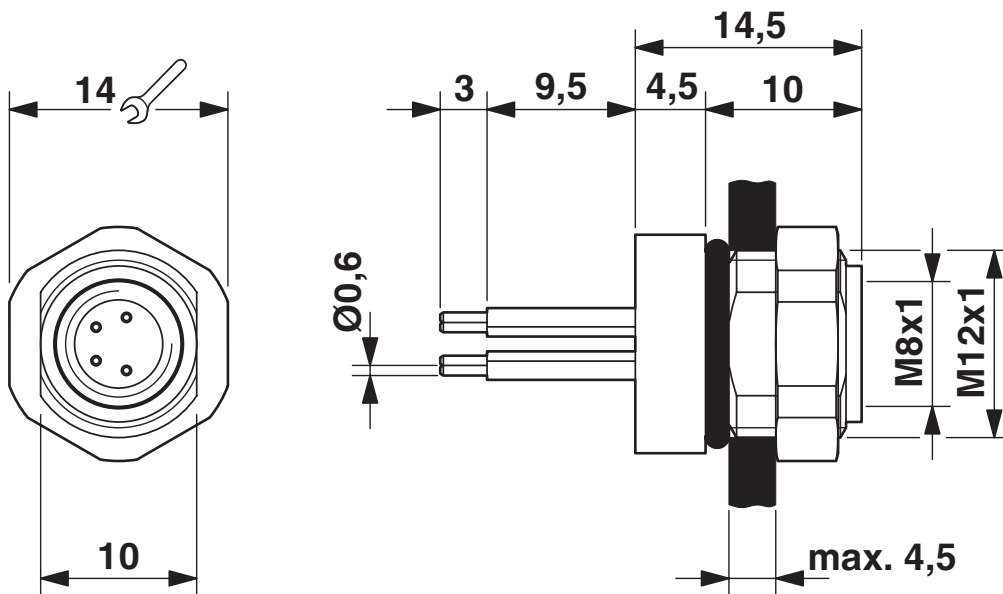
<https://www.phoenixcontact.com/in/products/1694376>

Schematic diagram



Pin assignment M8 socket, 4-pos., view female side

Dimensional drawing



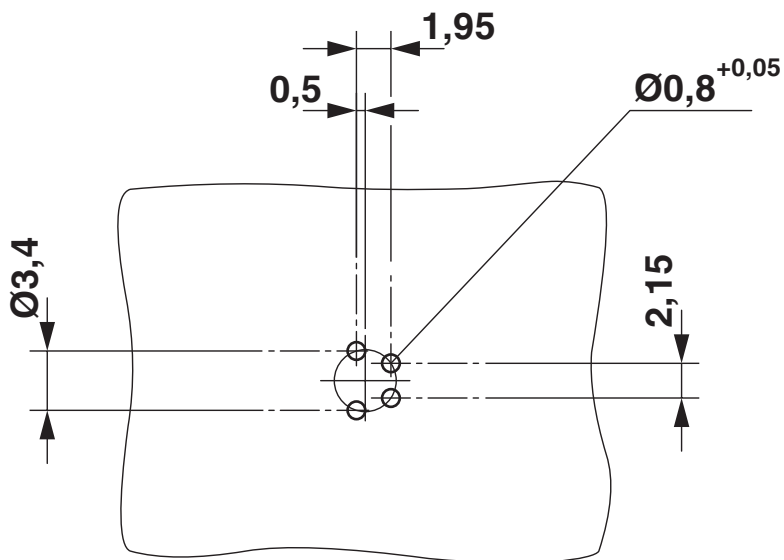
Dimensional drawing

SACC-DSI-M 8FS-4CON-L180 - Device connector, rear mounting

1694376

<https://www.phoenixcontact.com/in/products/1694376>

Drilling plan/solder pad geometry



M8 flush-type socket

SACC-DSI-M 8FS-4CON-L180 - Device connector, rear mounting





1694376

<https://www.phoenixcontact.com/in/products/1694376>

Approvals

 cUL Recognized Approval ID: FILE E 221474	Nominal Voltage U_N	Nominal Current I_N	Cross Section AWG	Cross Section mm^2
	30 V	4 A	-	-

 UL Recognized Approval ID: FILE E 221474	Nominal Voltage U_N	Nominal Current I_N	Cross Section AWG	Cross Section mm^2
	30 V	4 A	-	-

 EAC Approval ID: B.01687

SACC-DSI-M 8FS-4CON-L180 - Device connector, rear mounting



1694376

<https://www.phoenixcontact.com/in/products/1694376>

Classifications

ECLASS

ECLASS-11.0	27440102
ECLASS-12.0	27440116
ECLASS-13.0	27440116

ETIM

ETIM 8.0	EC002635
----------	----------

UNSPSC

UNSPSC 21.0	39121400
-------------	----------

SACC-DSI-M 8FS-4CON-L180 - Device connector, rear mounting



1694376

<https://www.phoenixcontact.com/in/products/1694376>

Environmental Product Compliance

REACH SVHC	Lead 7439-92-1
China RoHS	Environmentally Friendly Use Period = 50 years
	For information on hazardous substances, refer to the manufacturer's declaration available under "Downloads"

Phoenix Contact 2023 © - all rights reserved
<https://www.phoenixcontact.com>

PHOENIX CONTACT (I) Pvt. Ltd.
A-58/2, Okhla Industrial Area, Phase - II, New Delhi-110 020

+91.1275.71420
info@phoenixcontact.co.in