

SACC-M12FRB-5CON-PG 9-SH - Data connector



1430420

<https://www.phoenixcontact.com/in/products/1430420>

Please be informed that the data shown in this PDF document is generated from our Online Catalog. Please find the complete data in the user documentation. Our General Terms of Use for Downloads are valid.



Data connector, PROFIBUS, INTERBUS, 5-position, shielded, Socket angled M12, B, Screw connection, knurl material: Nickel-plated brass, cable gland Pg9, external cable diameter 6 mm ..
. 8 mm

Your advantages

- Safe use in the field, thanks to a high degree of protection
- Screw connection: proven connection technology for a large selection of different conductors
- Reliable signal transmission – 360° shielding in environments with electromagnetic interference

Commercial Data

Item number	1430420
Packing unit	1 pc
Minimum order quantity	1 pc
Sales Key	BF2
Product Key	BF2CBA
Catalog Page	Page 422 (C-2-2019)
GTIN	4046356321501
Weight per Piece (including packing)	72.39 g
Weight per Piece (excluding packing)	69 g
Customs tariff number	85366990
Country of origin	CN

1430420

<https://www.phoenixcontact.com/in/products/1430420>

Technical Data

Notes

Assembly instruction:

NOTE: Observe the permissible bending radii when laying conductors, since the degree of protection may be put in jeopardy if the bending forces are too high. Alleviate mechanical loads upstream of the connector, e.g. by using cable ties.

Mounting

Assembly instructions

The connector pin assignment can be rotated 90° to the cable outlet

Product properties

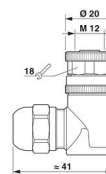
Product type	Circular connector (cable-side)
Number of positions	5
Application	Data
No. of cable outlets	1
Shielded	yes
Coding	B
Cable outlet	angled
Pg screw connection	Pg9

Insulation characteristics

Overvoltage category	II
Degree of pollution	3

Dimensions

Dimensional drawing



Length

48.3 mm

External dimensions

Outside diameter

6 mm ... 8 mm

Housing

Diameter housing

20 mm

Material specifications

Flammability rating according to UL 94	HB
Seal material	NBR
Material of grip body	Nickel-plated brass
Contact material	CuZn

1430420

<https://www.phoenixcontact.com/in/products/1430420>

Contact surface material	Au
Contact carrier material	PA
Material for screw connection	Nickel-plated brass

Connection data

Conductor connection

Connection method	Screw connection
Connection cross section	0.25 mm ² ... 0.75 mm ² (without ferrule)
	0.14 mm ² ... 0.75 mm ² (with ferrule)
	0.25 mm ² ... 0.75 mm ² (solid)
Connection cross section AWG	24 ... 18 (without ferrule)
	26 ... 20 (with ferrule)
Stripping length of the individual wire	5 mm
Tightening torque	0.4 Nm (M12 knurl)
	0.2 Nm (Screw terminal blocks)
	1 Nm (Pressure nut with coupling sleeve)

Electrical properties

Rated surge voltage	1.5 kV
Contact resistance	≤ 3 mΩ
Insulation resistance	≥ 100 MΩ
Nominal voltage U _N	48 V AC
	60 V DC
Nominal current I _N	4 A

Mechanical properties

Mechanical data

Insertion/withdrawal cycles	≥ 100
-----------------------------	-------

Connector

Connection 1

Head design	Socket
Head cable outlet	angled
Head thread type	M12
Coding	B

Cable/line

Signal type/category	PROFIBUS
	INTERBUS
Stripping length of the individual wire	5 mm

Environmental and real-life conditions

Ambient conditions

SACC-M12FRB-5CON-PG 9-SH - Data connector



1430420

<https://www.phoenixcontact.com/in/products/1430420>

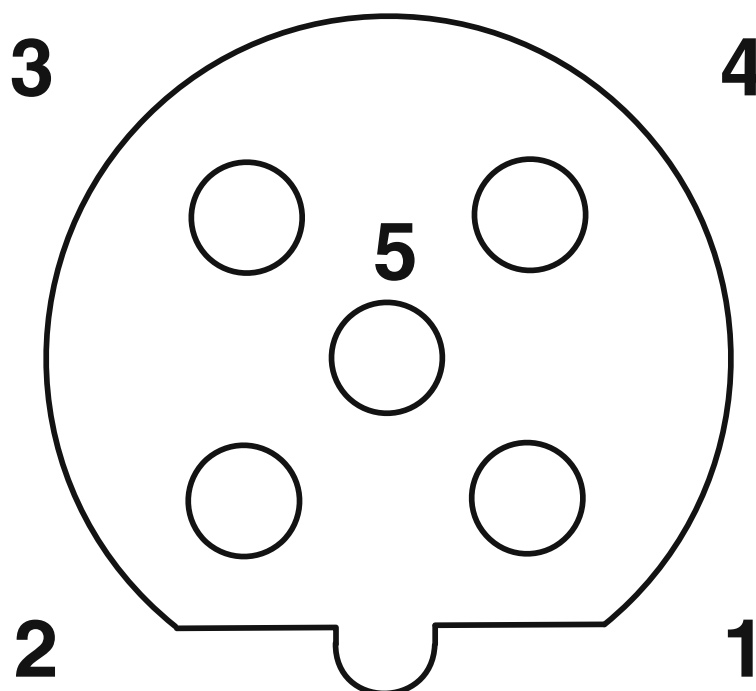
Degree of protection	IP67
Ambient temperature (operation)	-40 °C ... 85 °C (Plug / socket)

Standards and regulations

Standards/specifications	IEC 61076-2-101
--------------------------	-----------------

Drawings

Schematic diagram



Pin assignment M12 male connector, 5-pos., B-coded, male side

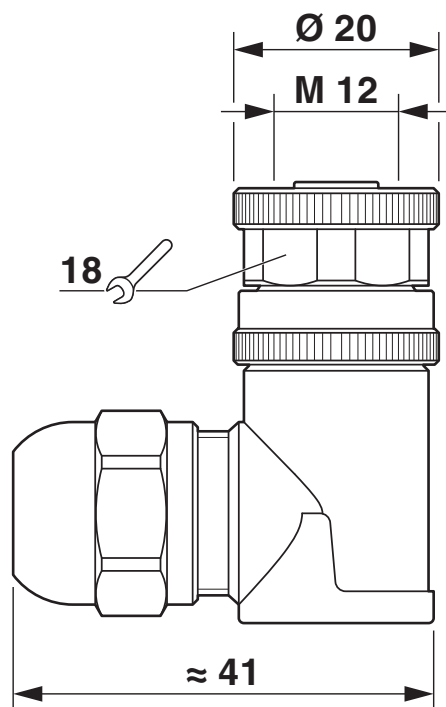
SACC-M12FRB-5CON-PG 9-SH - Data connector

1430420

<https://www.phoenixcontact.com/in/products/1430420>



Dimensional drawing



M12 x 1 socket, angled, shielded

SACC-M12FRB-5CON-PG 9-SH - Data connector



1430420

<https://www.phoenixcontact.com/in/products/1430420>

Approvals

 cUL Recognized Approval ID: FILE E 221474				
	Nominal Voltage U_N	Nominal Current I_N	Cross Section AWG	Cross Section mm^2
	60 V	4 A	-	-

 UL Recognized Approval ID: FILE E 221474				
	Nominal Voltage U_N	Nominal Current I_N	Cross Section AWG	Cross Section mm^2
	60 V	4 A	-	-

1430420

<https://www.phoenixcontact.com/in/products/1430420>

Classifications

ECLASS

ECLASS-11.0	27440102
ECLASS-12.0	27440116
ECLASS-13.0	27440116

ETIM

ETIM 8.0	EC002635
----------	----------

UNSPSC

UNSPSC 21.0	39121400
-------------	----------

1430420

<https://www.phoenixcontact.com/in/products/1430420>

Environmental Product Compliance

REACH SVHC	Lead 7439-92-1
China RoHS	Environmentally Friendly Use Period = 50 years
	For information on hazardous substances, refer to the manufacturer's declaration available under "Downloads"

SACC-M12FRB-5CON-PG 9-SH - Data connector



1430420

<https://www.phoenixcontact.com/in/products/1430420>

Accessories

TSD 04 SAC - Torque screwdriver

1208429

<https://www.phoenixcontact.com/in/products/1208429>



Torque screwdriver, with preset torque of 0.4 Nm and 4 mm hexagonal drive for M12 connectors

SACC BIT M12-D20 - Tool

1208445

<https://www.phoenixcontact.com/in/products/1208445>



Nut for assembling M12 connectors for assembly with a knurl diameter of 20 mm, for 4 mm hexagonal drive

SACC-M12FRB-5CON-PG 9-SH - Data connector



1430420

<https://www.phoenixcontact.com/in/products/1430420>

TSD-M 1,2NM - Torque screwdriver

1212224

<https://www.phoenixcontact.com/in/products/1212224>



Torque screw driver, accuracy as per EN ISO 6789 standard, adjustable from 0.3 - 1.2 Nm

TSD-M SAC-BIT ADAPTER - Adapter insert

1212600

<https://www.phoenixcontact.com/in/products/1212600>



Adapter bit for TSD-M...torque tools, E6.3-1/4" drive with 4 mm hexagon to accommodate SAC bits

SACC-M12FRB-5CON-PG 9-SH - Data connector



1430420

<https://www.phoenixcontact.com/in/products/1430420>

PROT-M12 MS-PA-CHAIN - Screw plug

1430899

<https://www.phoenixcontact.com/in/products/1430899>

M12 sealing cap with fixing band, for sensor cables, for free M12 sockets



A 0,25- 5 - Ferrule

3202465

<https://www.phoenixcontact.com/in/products/3202465>

Ferrule, length: 5 mm, color: silver



SACC-M12FRB-5CON-PG 9-SH - Data connector



1430420

<https://www.phoenixcontact.com/in/products/1430420>

CRIMPFOX 6H - Crimping pliers

1212046

<https://www.phoenixcontact.com/in/products/1212046>



Crimping pliers, for ferrules without insulating collar according to DIN 46228 Part 1 and ferrules with insulating collar according to DIN 46228 Part 4, 0.14 mm² ... 6 mm², unlockable pressure lock, lateral entry

WIREFOX SAC - Stripping tool

1212623

<https://www.phoenixcontact.com/in/products/1212623>



Stripping pliers, for halogen-free sensor/actuator cables (SAC cables), with PUR and PVC insulation, from Ø of 4.4 to 7 mm, any stripping length

SACC-M12FRB-5CON-PG 9-SH - Data connector



1430420

<https://www.phoenixcontact.com/in/products/1430420>

VS-CABLE-STRIP-VARIO - Stripping tool

1657407

<https://www.phoenixcontact.com/in/products/1657407>

Stripping tool, for the multi-level stripping of shielded cables



SZF 1-0,6X3,5 - Screwdriver

1204517

<https://www.phoenixcontact.com/in/products/1204517>

Actuation tool, for ST terminal blocks, also suitable for use as a bladed screwdriver, size: 0.6 x 3.5 x 100 mm, 2-component grip, with non-slip grip



Phoenix Contact 2023 © - all rights reserved
<https://www.phoenixcontact.com>

PHOENIX CONTACT (I) Pvt. Ltd.
A-58/2, Okhla Industrial Area, Phase - II, New Delhi-110 020

+91.1275.71420
info@phoenixcontact.co.in