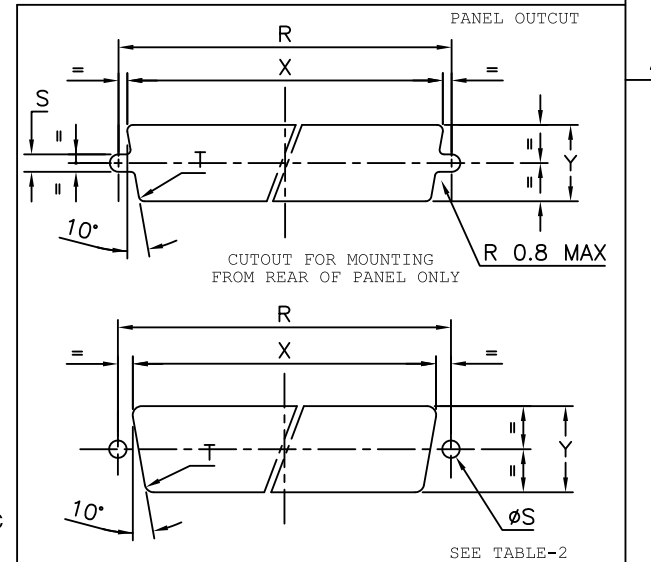


| SHELL SIZE | P | S | DIMENSIONS |       |       |       |       |       |      |       |       |      | NOTE:- INSIDE DIMENSIONS OF THE MALE AND OUTSIDE DIMENSIONS OF THE FEMALE CONNECTOR |      |      |      |      |       |
|------------|---|---|------------|-------|-------|-------|-------|-------|------|-------|-------|------|---|------|------|------|------|-------|
|            |   |   | A          | B     | C     | D     | E     | F MAX | G    | H     | J     | K    | L   | M    | Nmax | P    | Q    | R     |
| 50         | P | S | 66.65      | 52.68 | 61.11 | 11.08 | 14.99 | 11.09 | 5.85 | 55.07 | 13.31 | 1.50 | 1.0   | 3.10 | 3.05 | 2.20 | 2.76 | 17.35 |
|            | S | S | 66.65      | 52.30 | 61.11 | 10.62 | 14.99 | 11.21 | 6.05 | 55.07 | 13.31 | 1.10 | 0.8   | 3.10 | 2.85 | 2.20 | 2.76 | 17.44 |
| 37         | P | S | 68.94      | 55.30 | 63.50 | 8.23  | 12.17 | 11.09 | 5.85 | 57.45 | 10.46 | 1.50 | 1.0   | 3.10 | 3.05 | 2.20 | 2.76 | 17.35 |
|            | S | S | 68.94      | 54.71 | 63.50 | 7.77  | 12.17 | 11.21 | 6.05 | 57.45 | 10.46 | 1.10 | 0.8   | 3.10 | 2.85 | 2.20 | 2.76 | 17.44 |
| 25         | P | S | 52.65      | 38.84 | 47.04 | 8.23  | 12.17 | 11.07 | 5.85 | 41.02 | 10.46 | 1.10 | 0.8   | 3.10 | 2.85 | 2.20 | 2.76 | 17.35 |
|            | S | S | 52.65      | 38.25 | 47.04 | 7.77  | 12.17 | 11.21 | 6.05 | 41.02 | 10.46 | 1.10 | 0.8   | 3.10 | 2.85 | 2.20 | 2.76 | 17.44 |
| 15         | P | S | 38.76      | 25.12 | 33.32 | 8.23  | 12.17 | 10.99 | 5.85 | 27.25 | 10.46 | 1.10 | 0.8   | 3.10 | 2.85 | 2.20 | 2.74 | 17.35 |
|            | S | S | 38.76      | 24.54 | 33.32 | 7.77  | 12.17 | 11.21 | 6.05 | 27.25 | 10.46 | 1.10 | 0.8   | 3.10 | 2.85 | 2.20 | 2.74 | 17.44 |
| 09         | P | S | 30.43      | 16.79 | 24.99 | 8.23  | 12.17 | 10.99 | 5.85 | 19.02 | 10.46 | 1.10 | 0.8   | 3.10 | 2.85 | 2.20 | 2.74 | 17.35 |
|            | S | S | 30.43      | 16.21 | 24.99 | 7.77  | 12.17 | 11.21 | 6.05 | 19.02 | 10.46 | 1.10 | 0.8   | 3.10 | 2.85 | 2.20 | 2.74 | 17.44 |

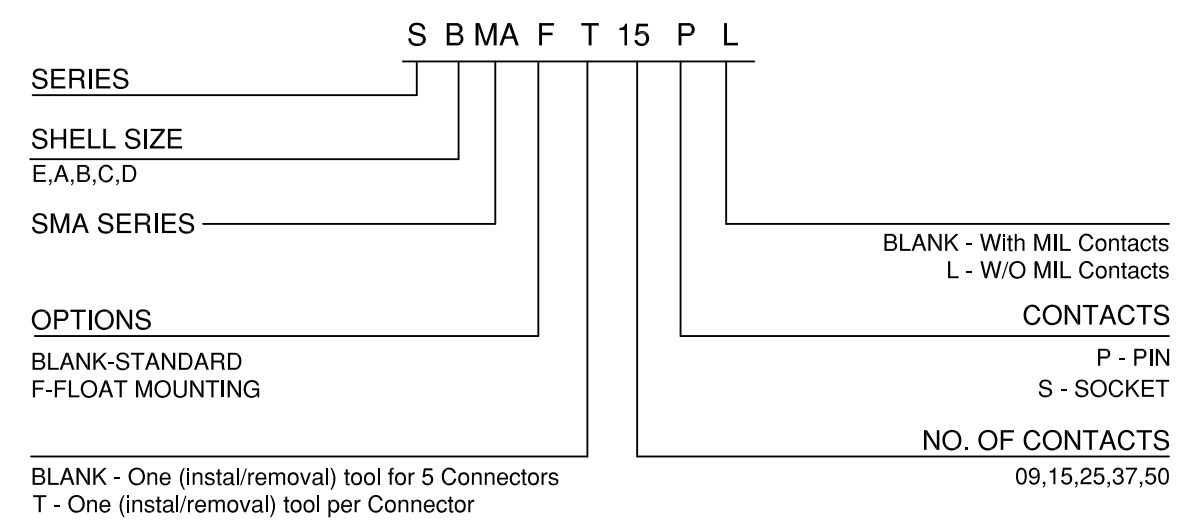
**TECHNICAL SPECIFICATION**

- SHELLS : PASSIVATED CADMIUM PLATED STEEL
- INSULATOR : SELF-EXTINGUISHING POLYSTER,UL CLASS V-0
- THE HOUSING WILL WITHSTAND EXPOSURE TO 260-265°C IF WE USE PROTECTIVE ADHESIVE (type Kapton or Teflon) OR PROTECTIVE METALLIC DEVICE
- CONTACT : 1MM
- OPERATING TEMPERATURE : -55 C TO +125C
- CONTACT MATERIAL : COPPER ALLOY
- CONTACT PLATING : GOLD OVER NICKEL
- OPERATING CURRENT : 7.5 A PER CONTACT
- CONTACT RESISTANCE : ≤7.3mΩ
- INSULATION RESISTANCE : ≥5000 MΩ
- MAXIMUM VOLTAGE : 1000 V RMS
- MECHANICAL ENDURANCE : 500 MATINGS
- SALT SPRAY : 48 hrs
- DAMP HEAT : 56 DAYS
- WIRE SIZE : AWG 20 TO 24 MAX
- TERMINATION : CRIMP



| SHELL SIZE | TYPE OF MOUNTING | MOUNTING POSITION | DIMENSIONS |       |       |      |      |
|------------|------------------|-------------------|------------|-------|-------|------|------|
|            |                  |                   | X          | Y     | R     | S    | T    |
| 50         | STD              | FRONT             | 58.30      | 15.80 | 61.11 | 3.20 | 2.10 |
|            |                  | REAR              | 56.30      | 14.10 | 61.11 | 3.20 | 3.30 |
| 50         | FLOAT            | FRONT             | 59.20      | 16.60 | 61.11 | 2.20 | 2.10 |
|            |                  | REAR              | 57.20      | 14.40 | 61.11 | 2.20 | 3.30 |
| 37         | STD              | FRONT             | 60.70      | 13.00 | 63.50 | 3.20 | 2.10 |
|            |                  | REAR              | 59.10      | 11.40 | 63.50 | 3.20 | 3.30 |
| 37         | FLOAT            | FRONT             | 61.50      | 13.80 | 63.50 | 2.20 | 2.10 |
|            |                  | REAR              | 59.80      | 12.20 | 63.50 | 2.20 | 3.30 |
| 25         | STD              | FRONT             | 44.30      | 13.00 | 47.04 | 3.20 | 2.10 |
|            |                  | REAR              | 42.50      | 11.40 | 47.04 | 3.20 | 3.30 |
| 25         | FLOAT            | FRONT             | 45.10      | 13.80 | 47.04 | 2.20 | 2.10 |
|            |                  | REAR              | 43.30      | 12.20 | 47.04 | 2.20 | 3.30 |
| 15         | STD              | FRONT             | 30.50      | 13.00 | 33.32 | 3.20 | 2.10 |
|            |                  | REAR              | 28.80      | 11.40 | 33.32 | 3.20 | 3.30 |
| 15         | FLOAT            | FRONT             | 31.30      | 13.80 | 33.32 | 2.20 | 2.10 |
|            |                  | REAR              | 29.60      | 12.20 | 33.32 | 2.20 | 3.30 |
| 09         | STD              | FRONT             | 22.20      | 13.00 | 24.99 | 3.20 | 2.10 |
|            |                  | REAR              | 20.50      | 11.40 | 24.99 | 3.20 | 3.30 |
| 09         | FLOAT            | FRONT             | 23.00      | 13.80 | 24.99 | 2.20 | 2.10 |
|            |                  | REAR              | 21.30      | 12.20 | 24.99 | 2.20 | 3.30 |

**ORDERING INFORMATION**



Housing will withstand exposure to 260°C peak temp for 3.5sec

|             |          |          |  |                  |  |            |  |                          |  |
|-------------|----------|----------|--|------------------|--|------------|--|--------------------------|--|
| mat'l. code |          | surface  |  | tolerance        |  | projection |  | product family           |  |
| SEE NOTE 4  |          | ISO 1302 |  | ISO 406 ISO 1101 |  |            |  | D-SUB                    |  |
|             |          |          |  |                  |  | MM         |  | title                    |  |
|             |          |          |  |                  |  |            |  | D- SUB-SMA SERIES MIL-C  |  |
|             |          |          |  |                  |  |            |  | CONNECTORS               |  |
|             |          |          |  |                  |  |            |  | dwg no                   |  |
|             |          |          |  |                  |  |            |  | sheet 1 of 1             |  |
|             |          |          |  |                  |  |            |  | size                     |  |
|             |          |          |  |                  |  |            |  | A3                       |  |
|             |          |          |  |                  |  |            |  | type                     |  |
|             |          |          |  |                  |  |            |  | Product Customer Drawing |  |
| sheet index | revision | E        |  |                  |  |            |  |                          |  |
|             | sheet    | 1        |  |                  |  |            |  |                          |  |