

KGS-MSTB 2,5/12 - Cable housing

1783818

<https://www.phoenixcontact.com/in/products/1783818>

Please be informed that the data shown in this PDF document is generated from our Online Catalog. Please find the complete data in the user documentation. Our General Terms of Use for Downloads are valid.

Cable housing, pitch: 0 mm, number of positions: 12, dimension a: 60 mm, color: green



Commercial Data

Item number	1783818
Packing unit	10 pc
Minimum order quantity	10 pc
Sales Key	AAH
Product Key	AAHZDD
Catalog Page	Page 349 (C-1-2013)
GTIN	4017918041991
Weight per Piece (including packing)	20.009 g
Weight per Piece (excluding packing)	19.85 g
Customs tariff number	85389099
Country of origin	PL

KGS-MSTB 2,5/12 - Cable housing

1783818

<https://www.phoenixcontact.com/in/products/1783818>

Technical Data

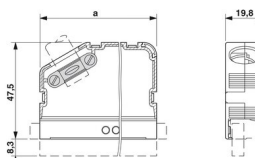
Product properties

Product type	Cable housing
Product family	KGS-MSTB 2,5
Number of positions	12
Pitch	0.00 mm

Material specifications

Color	green
Flammability rating according to UL 94	HB
Insulating material group	I
Insulating material	ABS

Dimensions

Dimensional drawing	
Pitch	0.00 mm

KGS-MSTB 2,5/12 - Cable housing

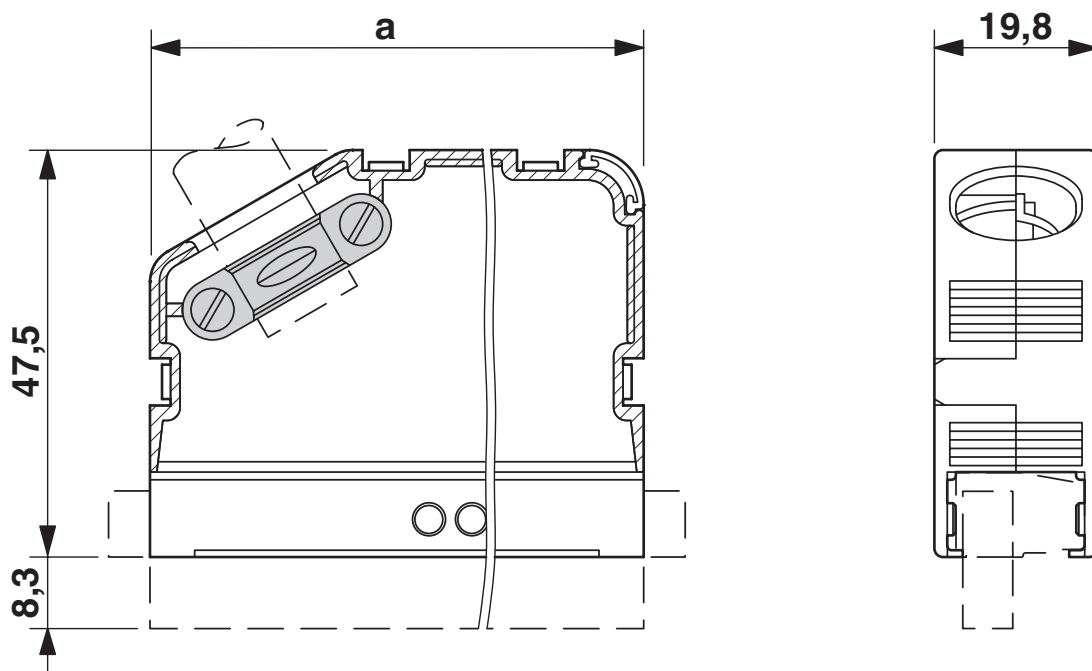
1783818

<https://www.phoenixcontact.com/in/products/1783818>



Drawings

Dimensional drawing



KGS-MSTB 2,5/12 - Cable housing



1783818

<https://www.phoenixcontact.com/in/products/1783818>

Approvals



EAC

Approval ID: B.01687

KGS-MSTB 2,5/12 - Cable housing



1783818

<https://www.phoenixcontact.com/in/products/1783818>

Classifications

ECLASS

ECLASS-11.0

27460402

ETIM

ETIM 8.0

EC002943

UNSPSC

UNSPSC 21.0

39121400

KGS-MSTB 2,5/12 - Cable housing



1783818

<https://www.phoenixcontact.com/in/products/1783818>

Environmental Product Compliance

China RoHS	Environmentally friendly use period: unlimited = EFUP-e
	No hazardous substances above threshold values

KGS-MSTB 2,5/12 - Cable housing

1783818

<https://www.phoenixcontact.com/in/products/1783818>

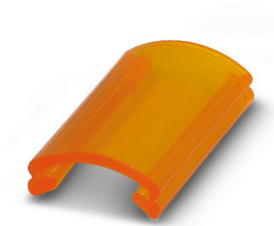


Accessories

KGS-MSTB 2,5/ DST - Cable housing

1784914

<https://www.phoenixcontact.com/in/products/1784914>



Transparent label carrier, can be marked with marker strips SBS 2.5/7.5

SBS 2,5/7,5 - Marker for terminal blocks

1007604

<https://www.phoenixcontact.com/in/products/1007604>



Marker for terminal blocks, Card, white, unlabeled, can be labeled with: Marker pen, perforated, mounting type: snap in, snap into flat marker groove, for terminal block width: 7.5 mm, lettering field size: 15 x 7.5 mm, Number of individual labels: 10

KGS-MSTB 2,5/12 - Cable housing

1783818

<https://www.phoenixcontact.com/in/products/1783818>



KD-KGS-MSTB - Accessories

1804658

<https://www.phoenixcontact.com/in/products/1804658>

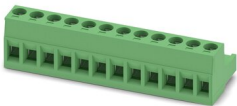


Molded cable strain relief, suitable for KGS-... cable housings, prevents the cable from being bent

MSTB 2,5/12-ST - PCB connector

1754643

<https://www.phoenixcontact.com/in/products/1754643>



PCB connector, nominal cross section: 2.5 mm², color: green, nominal current: 12 A, rated voltage (III/2): 320 V, contact surface: Tin, type of contact: Socket, number of potentials: 12, number of rows: 1, number of positions: 12, number of connections: 12, product range: MSTB 2,5/..-ST, pitch: 5 mm, connection method: Screw connection with tension sleeve, screw head form: L Slotted, conductor/PCB connection direction: 0 °, locking clip: - Locking clip, plug-in system: COMBICON MSTB 2,5, locking: without, mounting: without, type of packaging: packed in cardboard

KGS-MSTB 2,5/12 - Cable housing

1783818

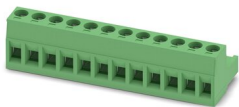
<https://www.phoenixcontact.com/in/products/1783818>



MSTB 2,5/12-ST-5,08 - PCB connector

1757116

<https://www.phoenixcontact.com/in/products/1757116>



PCB connector, nominal cross section: 2.5 mm², color: green, nominal current: 12 A, rated voltage (III/2): 320 V, contact surface: Tin, type of contact: Socket, number of potentials: 12, number of rows: 1, number of positions: 12, number of connections: 12, product range: MSTB 2,5/...-ST, pitch: 5.08 mm, connection method: Screw connection with tension sleeve, screw head form: L Slotted, conductor/PCB connection direction: 0 °, locking clip: - Locking clip, plug-in system: COMBICON MSTB 2,5, locking: without, mounting: without, type of packaging: packed in cardboard

MSTB 2,5/12-STF - PCB connector

1786938

<https://www.phoenixcontact.com/in/products/1786938>



PCB connector, nominal cross section: 2.5 mm², color: green, nominal current: 12 A, rated voltage (III/2): 320 V, contact surface: Tin, type of contact: Socket, number of potentials: 12, number of rows: 1, number of positions: 12, number of connections: 12, product range: MSTB 2,5/...-STF, pitch: 5 mm, connection method: Screw connection with tension sleeve, screw head form: L Slotted, conductor/PCB connection direction: 0 °, locking clip: - without locking clip, plug-in system: COMBICON MSTB 2,5, locking: Screw locking, mounting: Screw flange, type of packaging: packed in cardboard

KGS-MSTB 2,5/12 - Cable housing

1783818

<https://www.phoenixcontact.com/in/products/1783818>



MSTB 2,5/12-STF-5,08 - PCB connector

1778085

<https://www.phoenixcontact.com/in/products/1778085>



PCB connector, nominal cross section: 2.5 mm², color: green, nominal current: 12 A, rated voltage (III/2): 320 V, contact surface: Tin, type of contact: Socket, number of potentials: 12, number of rows: 1, number of positions: 12, number of connections: 12, product range: MSTB 2,5/...-STF, pitch: 5.08 mm, connection method: Screw connection with tension sleeve, screw head form: L Slotted, conductor/PCB connection direction: 0 °, locking clip: - without locking clip, plug-in system: COMBICON MSTB 2,5, locking: Screw locking, mounting: Screw flange, type of packaging: packed in cardboard

IC 2,5/12-ST-5,08 - PCB connector

1786271

<https://www.phoenixcontact.com/in/products/1786271>



PCB connector, nominal cross section: 2.5 mm², color: green, nominal current: 12 A, rated voltage (III/2): 320 V, contact surface: Tin, type of contact: Pin, number of potentials: 12, number of rows: 1, number of positions: 12, number of connections: 12, product range: IC 2,5/...-ST, pitch: 5.08 mm, connection method: Screw connection with tension sleeve, screw head form: L Slotted, conductor/PCB connection direction: 0 °, locking clip: - without locking clip, plug-in system: COMBICON MSTB 2,5, locking: without, mounting: without, type of packaging: packed in cardboard

KGS-MSTB 2,5/12 - Cable housing

1783818

<https://www.phoenixcontact.com/in/products/1783818>



IC 2,5/12-STF-5,08 - PCB connector

1825417

<https://www.phoenixcontact.com/in/products/1825417>



PCB connector, nominal cross section: 2.5 mm², color: green, nominal current: 12 A, rated voltage (III/2): 320 V, contact surface: Tin, type of contact: Pin, number of potentials: 12, number of rows: 1, number of positions: 12, number of connections: 12, product range: IC 2,5/...-STF, pitch: 5.08 mm, connection method: Screw connection with tension sleeve, screw head form: L Slotted, conductor/PCB connection direction: 0 °, locking clip: - without locking clip, plug-in system: COMBICON MSTB 2,5, locking: Screw locking, mounting: Screw flange, type of packaging: packed in cardboard

GMSTB 2,5/ 8-ST - PCB connector

1766945

<https://www.phoenixcontact.com/in/products/1766945>



PCB connector, nominal cross section: 2.5 mm², color: green, nominal current: 12 A, rated voltage (III/2): 630 V, contact surface: Tin, type of contact: Socket, number of potentials: 8, number of rows: 1, number of positions: 8, number of connections: 8, product range: GMSTB 2,5/...-ST, pitch: 7.5 mm, connection method: Screw connection with tension sleeve, screw head form: L Slotted, conductor/PCB connection direction: 0 °, locking clip: - Locking clip, plug-in system: COMBICON MSTB 2,5, locking: without, mounting: without, type of packaging: packed in cardboard

KGS-MSTB 2,5/12 - Cable housing

1783818

<https://www.phoenixcontact.com/in/products/1783818>



GMSTB 2,5/ 8-ST-7,62 - PCB connector

1767067

<https://www.phoenixcontact.com/in/products/1767067>



PCB connector, nominal cross section: 2.5 mm², color: green, nominal current: 12 A, rated voltage (III/2): 630 V, contact surface: Tin, type of contact: Socket, number of potentials: 8, number of rows: 1, number of positions: 8, number of connections: 8, product range: GMSTB 2,5/..-ST, pitch: 7.62 mm, connection method: Screw connection with tension sleeve, screw head form: L Slotted, conductor/PCB connection direction: 0 °, locking clip: - Locking clip, plug-in system: COMBICON MSTB 2,5, locking: without, mounting: without, type of packaging: packed in cardboard

Phoenix Contact 2023 © - all rights reserved

<https://www.phoenixcontact.com>

PHOENIX CONTACT (I) Pvt. Ltd.

A-58/2, Okhla Industrial Area, Phase - II, New Delhi-110 020

+91.1275.71420

info@phoenixcontact.co.in