

Product datasheet

Specifications



Magelis GXO - 7" wide

HMIGXO3502

! Discontinued on: 31 December 2015

! Discontinued

Main

Range of product	Magelis GXO
Product or component type	Touch panel screen
Display size	7 inch
Display type	Colour TFT LCD
Display colour	65536 colours
Pixel resolution	800 x 480
Brightness	8 levels via touch panel
Memory description	Flash NAND, 16 MB Application run SDRAM, 64 MB Back up of data Non-Volatile SRAM (NVSRAM), 128 kB
Type of cooling	Natural

Complementary

Integrated connection type	COM1 serial link - 1 port(s) - male SUB-D 9 - RS232C - 2400...115200 bps COM2 serial link - 1 port(s) - male SUB-D 9 - RS422/RS485 - 2400...187500 bps USB type A - 1 port(s) - USB type A USB type mini B - 1 port(s) - USB type B
Software package	Vijeo Designer software 6.0
[Us] rated supply voltage	24 V DC +/- 20 %
Inrush current	50 A
Power consumption in W	7 W
Height	153.2 mm
Width	207.8 mm
Depth	59.8 mm

Environment

IP degree of protection	IP65 front panel: conforming to IEC 60529 IP20 rear panel: conforming to IEC 60529
Pollution degree	2
Electromagnetic compatibility	Radiated radio-frequency electromagnetic field immunity test: 10 V/m, 80 MHz...1 GHz Radiated radio-frequency electromagnetic field immunity test: 3 V/m, 1.4 MHz...2 GHz Radiated radio-frequency electromagnetic field immunity test: 1 V/m, 2...3 GHz Electrical fast transient: 2 kV power ports conforming to EN/IEC 61131-2 zone B Electrical fast transient: 1 kV other ports conforming to EN/IEC 61131-2 zone B High-energy surges: 1 kV differential mode conforming to IEC 61000-4-5

High-energy surges: 2 kV common mode conforming to IEC 61000-4-5

Ambient air temperature for operation	0...50 °C
Ambient air temperature for storage	-20...60 °C
Maximum pressure	800...1114 hPa
Relative humidity	85 %
Vibration resistance	1 gn (f= 5...150 Hz) on the 3 axes conforming to IEC 60068-2-6
Shock resistance	15 gn for 11 ms conforming to IEC 60068-2-27
Resistance to electrostatic discharge	4 kV contact conforming to EN/IEC 61131-2 8 kV air conforming to EN/IEC 61131-2

Offer Sustainability

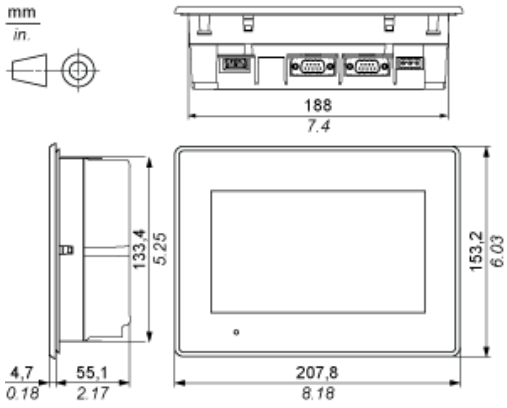
Sustainable offer status	Green Premium product
EU RoHS Directive	Pro-active compliance (Product out of EU RoHS legal scope) EU RoHS Declaration
Mercury free	Yes
China RoHS Regulation	China RoHS declaration
RoHS exemption information	Yes
Environmental Disclosure	Product Environmental Profile
Circularity Profile	End of Life Information

Contractual warranty

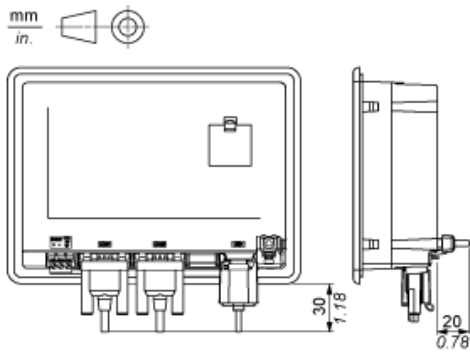
Warranty	18 months
-----------------	-----------

Dimensions

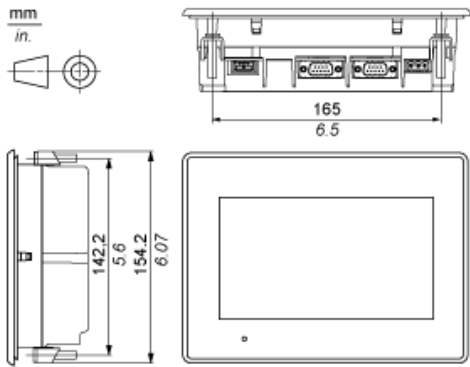
Panel Dimensions



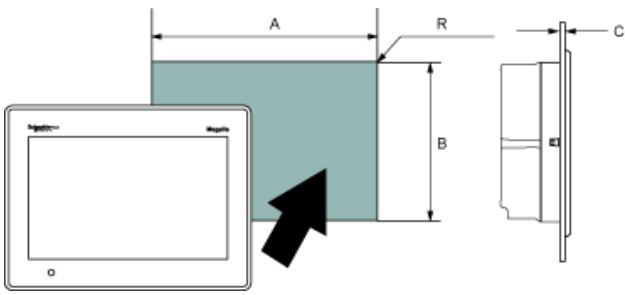
Dimensions with Cables



Dimensions with Screw Fasteners

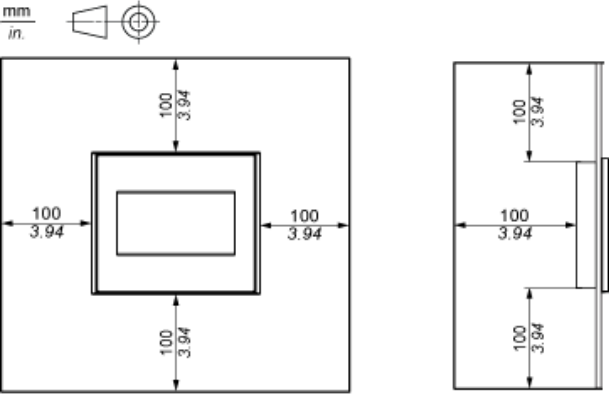


Panel Cut-out

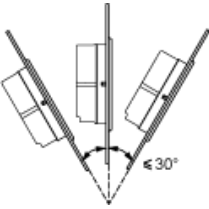


A	B	C (Panel Thickness)	R
190 mm (7.48 in) ± 1 mm (0.04 in)	135 mm (5.31 in) ±0.7 mm (0.03 in)	1.5...10 mm (0.06...0.39 in)	3 mm (0.12 in) max.

Air Circulation





Installation in a Slanted Panel



Recommended replacement(s)

HMIGXO3502 is replaced by the following group of products:

1x		7 inch wide screen, Basic model, 1 serial port, embedded RTC HMIGXU3500
1x		7 inch wide screen, Universal model, 2 serial ports, 1 Ethernet port, embedded RTC HMIGXU3512