

Product datasheet

Specifications



7 inch wide screen, Universal model, 2 serial ports, 1 Ethernet port, embedded RTC

HMIGXU3512

Main

Range of product	Harmony Easy GXU
Product or component type	Advanced touchscreen panel
Display type	LCD touch screen
Display colour	65536 colours
Display resolution	800 x 480 pixels WVGA
Display size	7 inch

Complementary

Backlight lifespan	20000 hours
[Us] rated supply voltage	24 V DC
Software designation	Vijeo Designer Basic configuration software
Memory description	Internal, 48 MB for application Internal DDR, 128 MB Internal, 128 kB for backup
Integrated connection type	USB type mini B COM1 serial link: 9-way male SUB-D connector, RS232C COM2 serial link: 9-way male SUB-D connector, RS422/RS485 USB type A Ethernet 10/100BASE-TX
Cut-out dimensions	190 x 135 mm

Environment

Quality labels	CE
Ambient air temperature for operation	0...50 °C
Ambient air temperature for storage	-20...60 °C
IP degree of protection	IP65 (front panel)

Packing Units

Unit Type of Package 1	PCE
Number of Units in Package 1	1
Package 1 Height	9.163 cm
Package 1 Width	18.024 cm

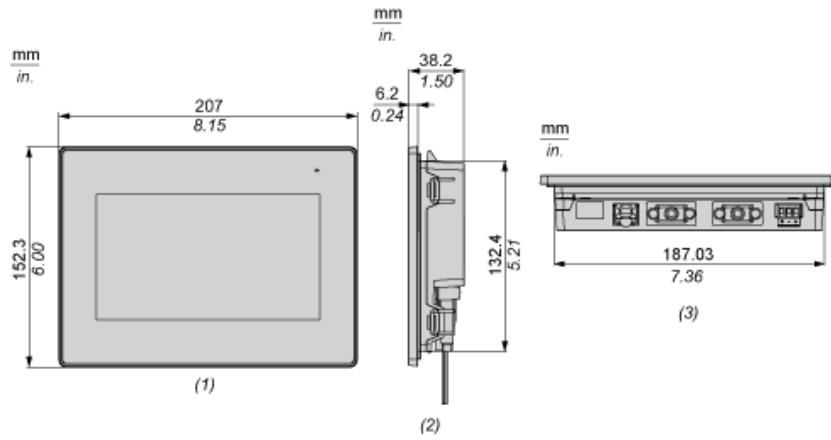
Package 1 Length	25.544 cm
Package 1 Weight	910 g
Unit Type of Package 2	S04
Number of Units in Package 2	12
Package 2 Height	30 cm
Package 2 Width	40 cm
Package 2 Length	60 cm
Package 2 Weight	11747 g
Unit Type of Package 3	P12
Number of Units in Package 3	144
Package 3 Height	95 cm
Package 3 Width	80 cm
Package 3 Length	120 cm
Package 3 Weight	149964 g

Offer Sustainability

Sustainable offer status	Green Premium product
REACH Regulation	REACH Declaration
EU RoHS Directive	Pro-active compliance (Product out of EU RoHS legal scope) EU RoHS Declaration
Mercury free	Yes
China RoHS Regulation	China RoHS declaration
RoHS exemption information	Yes
Environmental Disclosure	Product Environmental Profile
Circularity Profile	End of Life Information
Upgradeability	Upgradeable through digital modules

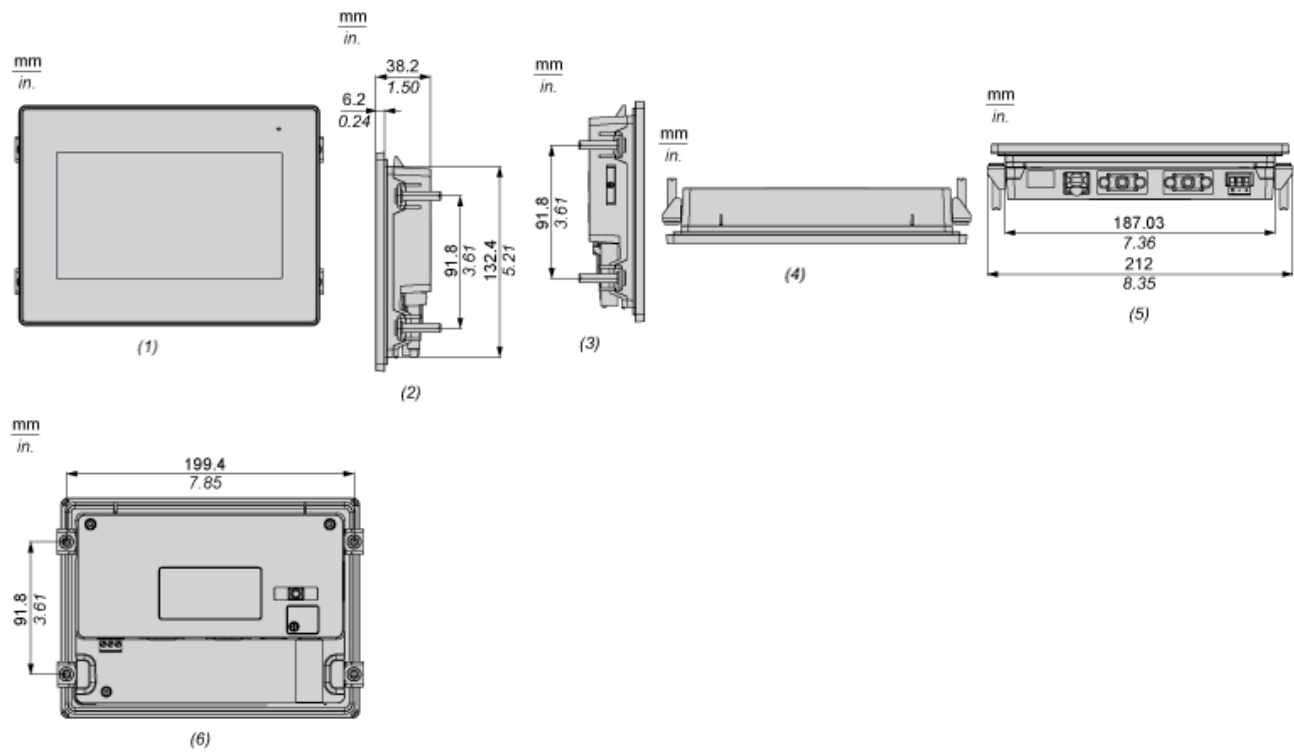
Dimensions

External Dimensions



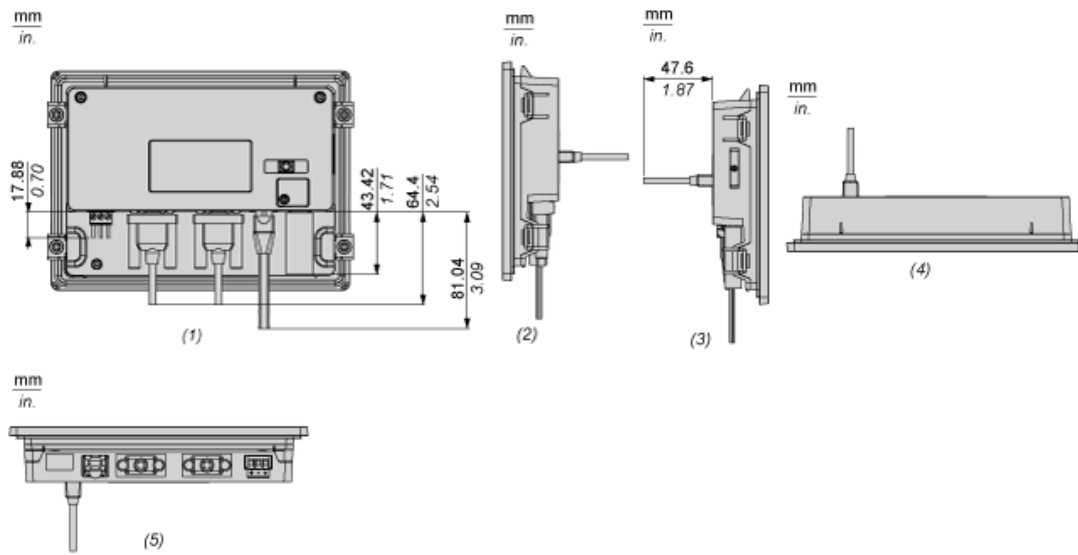
- (1) Front
- (2) Right
- (3) Bottom

Installation with Installation Fasteners



- (1) Front
- (2) Right
- (3) Left
- (4) Top
- (5) Bottom
- (6) Rear

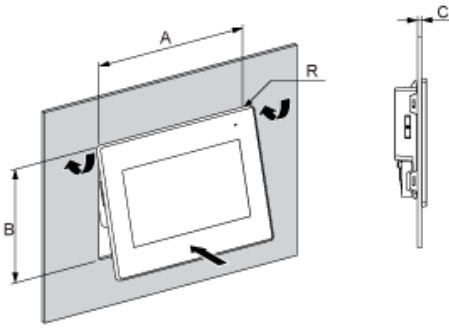
Dimensions with Cables



- (1) Rear
- (2) Right
- (3) Left
- (4) Top
- (5) Bottom

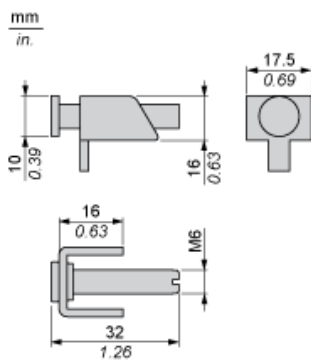
Mounting

Panel Cut Dimensions



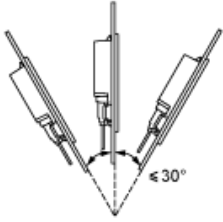
A		B		C		R	
mm	in.	mm	in.	mm	in.	mm	in.
190 ^{±1}	7.48 ^{±0.04}	135 ^{±0.7}	5.31 ^{±0.03}	1...5	0.04...0.19	3 max	0.12 max.

Installation Fasteners Dimensions



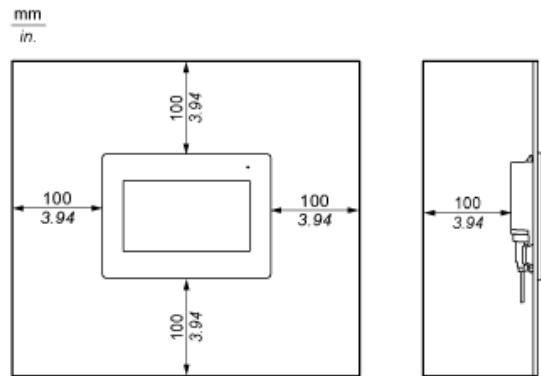
Installation Requirements

Mounting Angle



When installing the panel in a slanted position, and the panel face inclines more than 30°, the ambient temperature must not exceed 40 °C (104 °F).

Clearance



Recommended replacement(s)