

# Product datasheet

Specifications



## touch panel screen 3"4 Monochrome W/P/R

HMISTO512

! To be discontinued on: 28 December 2023

! To be end-of-service on: 28 December 2023

! Discontinued - Service only

### Main

Range of product	Harmony STO & STU
Product or component type	Touch panel screen
Software designation	Vijeo Designer
Operating system	Harmony
Processor name	CPU RISC

### Complementary

Display size	3.4 inch
Display type	Backlit monochrome STN LCD
Background colour	White, pink and red
Display resolution	200 x 80 pixels
Touch panel	Analogue
Backlight lifespan	10000 hours with red 50000 hours with pink 50000 hours with white
Brightness	8 levels
Contrast	16 levels via touch panel
Character font	Japanese (ANK, Kanji) Korean ASCII Taiwanese (traditional Chinese) Chinese (simplified Chinese)
[Us] rated supply voltage	24 V DC +/- 20 %
Inrush current	30 A
Local signalling	1 LED (green) for normal operation
Power consumption in W	5 W
Number of pages	Limited by internal memory capacity
Processor frequency	333 MHz
Memory description	Application memory 16 MB Back up of data 128 kB
Integrated connection type	1 USB 2.0 type mini B 1 USB 2.0 type A power supply - removable screw terminal block

<b>Supply</b>	External source
<b>Realtime clock</b>	Access to the PLC real-time clock
<b>Downloadable protocols</b>	Third party protocols Uni-TE Modbus
<b>Fixing mode</b>	By 2 spring clips, mounting on 1.6...5 mm thick panel
<b>Enclosure material</b>	PPT
<b>Marking</b>	CE
<b>Height</b>	77.5 mm
<b>Width</b>	116.5 mm
<b>Depth</b>	36.5 mm

## Environment

<b>Immunity to microbreaks</b>	3 ms
<b>Standards</b>	FCC Class A UL 1604 UL 508 IEC 61000-6-2 EN 61131-2
<b>Product certifications</b>	UL Class 1 Division 2 T4A UL Class 1 Division 2 T5 C-Tick cULus GOST CE KCC
<b>Ambient air temperature for operation</b>	0...50 °C
<b>Ambient air temperature for storage</b>	-20...60 °C
<b>Relative humidity</b>	0...90 % without condensation
<b>Operating altitude</b>	<= 2000 m
<b>IP degree of protection</b>	IP20 (rear panel) conforming to IEC 60529 IP65 (front panel) conforming to IEC 60529
<b>NEMA degree of protection</b>	NEMA 4X front panel (indoor use)
<b>Shock resistance</b>	15 gn for 11 ms conforming to IEC 60068-2-27
<b>Vibration resistance</b>	+/- 3.5 mm (f = 5...9 Hz) conforming to IEC 60068-2-6 1 gn (f = 9...150 Hz) conforming to IEC 60068-2-6
<b>Electromagnetic compatibility</b>	Resistance to radiated electromagnetic fields - test level: 10 V/m conforming to IEC 61000-4-3

## Packing Units

<b>Unit Type of Package 1</b>	PCE
<b>Number of Units in Package 1</b>	1
<b>Package 1 Height</b>	9.0 cm
<b>Package 1 Width</b>	13.0 cm
<b>Package 1 Length</b>	18.5 cm
<b>Package 1 Weight</b>	360.0 g

## Offer Sustainability

<b>REACH Regulation</b>	<a href="#">REACH Declaration</a>
<b>REACH free of SVHC</b>	Yes
<b>EU RoHS Directive</b>	Pro-active compliance (Product out of EU RoHS legal scope)

[EU RoHS Declaration](#)

---

<b>Mercury free</b>	Yes
<b>China RoHS Regulation</b>	<a href="#">China RoHS declaration</a>
<b>RoHS exemption information</b>	Yes

---

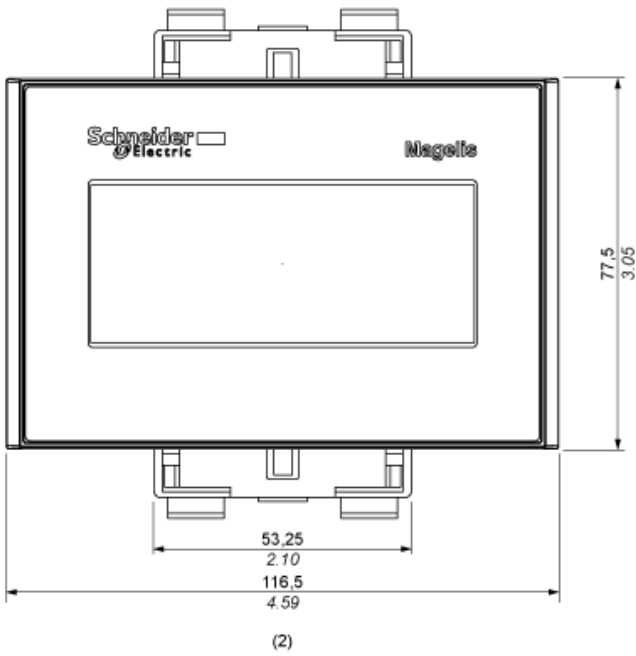
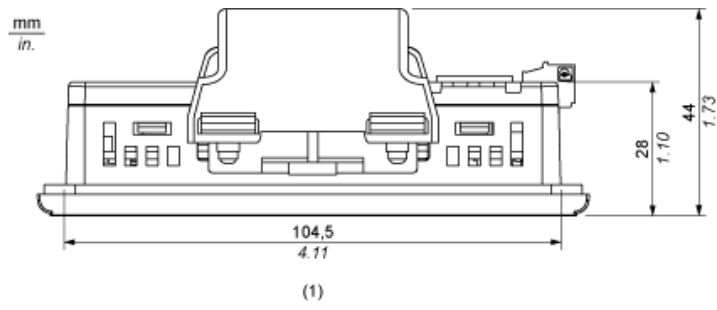
**WEEE**                      The product must be disposed on European Union markets following specific waste collection and never end up in rubbish bins

**Contractual warranty**

---

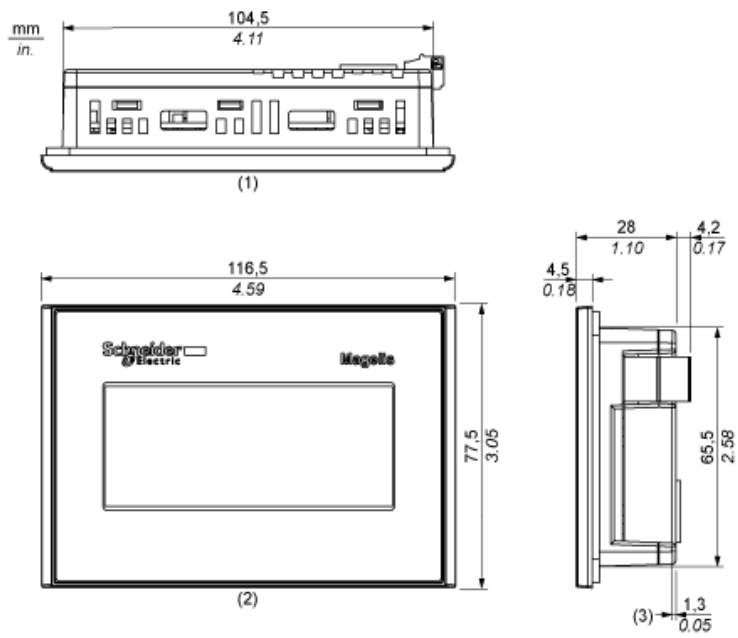
<b>Warranty</b>	18 months
-----------------	-----------

## Dimensions with Spring Clips



- (1) Top
- (2) Front

Dimensions without Spring Clips

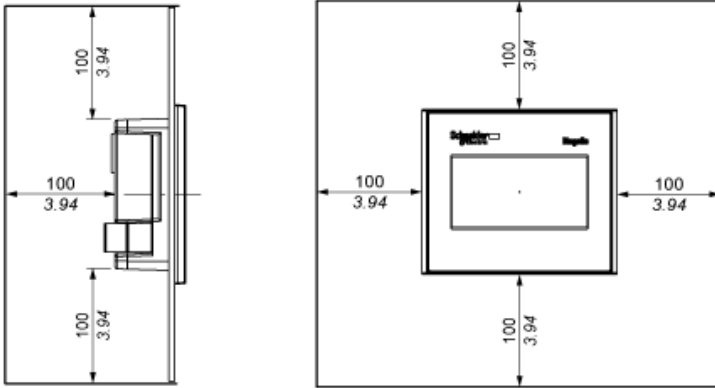


- (1) Top
- (2) Front
- (3) Right Side

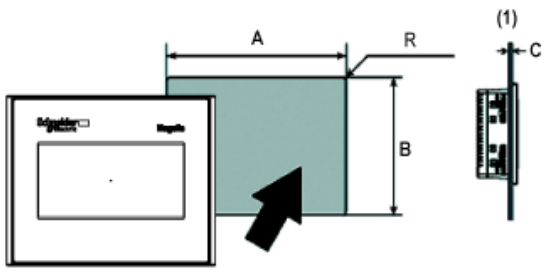
**Clearance**

---

mm  
in.



**Panel Cut-out Dimensions**



(1) Panel

A (mm)	A (in.)	B (mm)	B (in.)	C (mm) Spring Clips	C (in.) Spring Clips	R (mm)	R (in.)
+1 105 -0	+0.04 4.13 -0	+1 66 -0	+0.04 2.59 -0	1.5 to 6.0	0.059 to 0.236	2.0 to 3.0	0.078 to 0.118

**Recommended replacement(s)**