

Product data sheet

Specifications



Remote control cable, Harmony SCU, 5 m for panel

HMIZSURDP5

Main

Range of product	Harmony SCU
Product or component type	Remote control cable

Complementary

Cable length	5 m
--------------	-----

Packing Units

Unit Type of Package 1	PCE
Number of Units in Package 1	1
Package 1 Height	7.2 cm
Package 1 Width	18.4 cm
Package 1 Length	26.7 cm
Package 1 Weight	870 g
Unit Type of Package 2	S03
Number of Units in Package 2	6
Package 2 Height	30 cm
Package 2 Width	30 cm
Package 2 Length	40 cm
Package 2 Weight	5.42 kg
Unit Type of Package 3	PAL
Number of Units in Package 3	48
Package 3 Height	70 cm
Package 3 Width	60 cm
Package 3 Length	80 cm
Package 3 Weight	43.36 kg

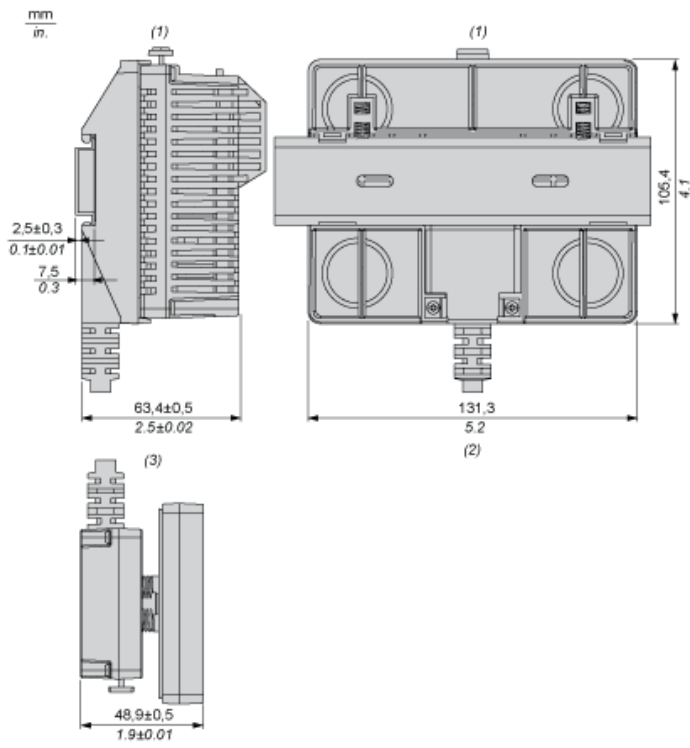
Offer Sustainability

REACH Regulation	REACH Declaration
REACH free of SVHC	Yes
EU RoHS Directive	Pro-active compliance (Product out of EU RoHS legal scope)

[EU RoHS Declaration](#)

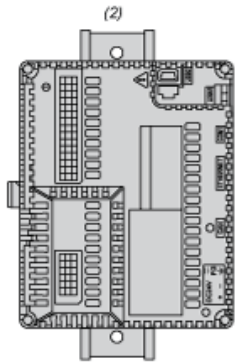
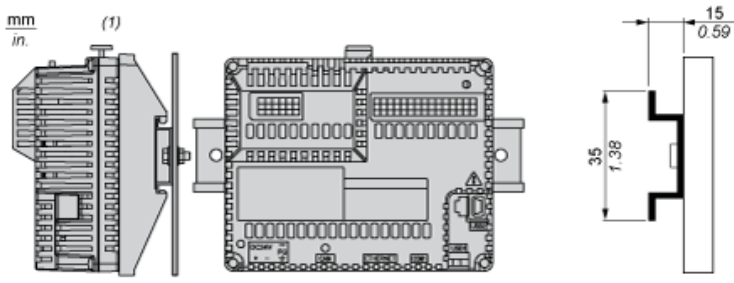
Toxic heavy metal free	Yes
Mercury free	Yes
China RoHS Regulation	China RoHS declaration
RoHS exemption information	Yes
WEEE	The product must be disposed on European Union markets following specific waste collection and never end up in rubbish bins
California proposition 65	WARNING: This product can expose you to chemicals including: Lead and lead compounds, which is known to the State of California to cause cancer and birth defects or other reproductive harm. For more information go to www.P65Warnings.ca.gov

Dimensions



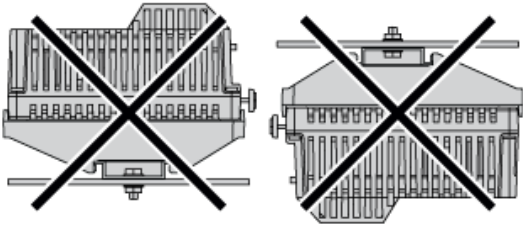
- (1) Rear module
- (2) Rear module remote cable
- (3) Panel remote cable

Recommended Mounting position

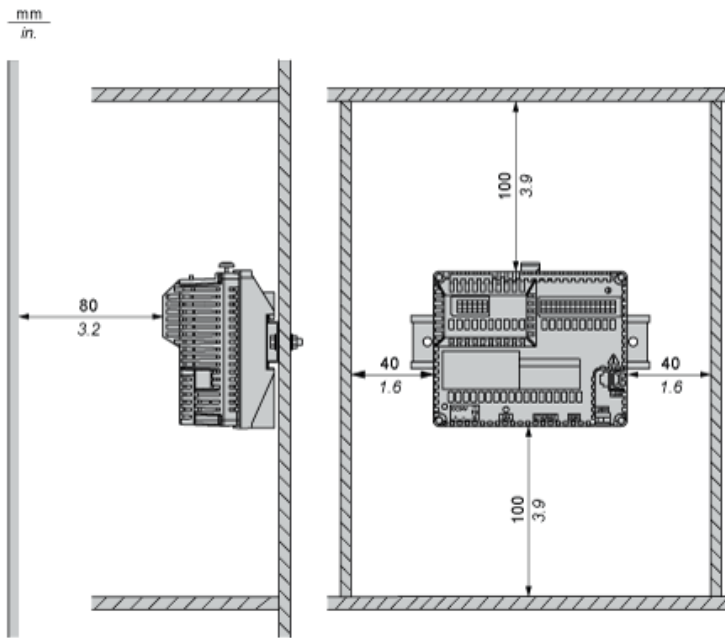


- (1) Horizontal mounting
- (2) Vertical mounting

No Recommended Mounting Position



Clearance



Keep adequate spacing for proper ventilation to maintain an ambient temperature between 0...50 °C (32...122 °F) for horizontal installation and 0...40 °C (32...104 °F) for vertical installation.

Recommended replacement(s)