

ICC-MT 1,5-2,5 - Crimp contact



3190580

<https://www.phoenixcontact.com/in/products/3190580>

Please be informed that the data shown in this PDF document is generated from our Online Catalog. Please find the complete data in the user documentation. Our General Terms of Use for Downloads are valid.



Module male contact, is inserted into the ICC connector shell after the conductor has been crimped, for conductors from 1.5-2.5 mm²

Commercial Data

| | |
|--------------------------------------|---------------------|
| Item number | 3190580 |
| Packing unit | 100 pc |
| Minimum order quantity | 100 pc |
| Sales Key | AAC |
| Product Key | AACCBE |
| Catalog Page | Page 827 (C-1-2013) |
| GTIN | 4017918093419 |
| Weight per Piece (including packing) | 0.36 g |
| Weight per Piece (excluding packing) | 0.36 g |
| Customs tariff number | 85366990 |
| Country of origin | PL |

ICC-MT 1,5-2,5 - Crimp contact

3190580

<https://www.phoenixcontact.com/in/products/3190580>



Technical Data

Product properties

| | |
|----------------|---------------|
| Product type | Crimp contact |
| Product family | ICC-MT |
| Pitch | 0 mm |

Connection data

| | |
|-------------------|------------------|
| Connection method | Crimp connection |
| Type of contact | Male connector |
| Stripping length | 4 mm ... 4.1 mm |

Material specifications

| | |
|--------------------------|--------|
| Contact surface | Tin Sn |
| Contact surface material | Tin |

Dimensions

| | |
|---------------------|------|
| Dimensional drawing | |
| Pitch | 0 mm |

Packaging specifications

| | |
|-------------------|------------|
| Type of packaging | Bulk goods |
|-------------------|------------|

ICC-MT 1,5-2,5 - Crimp contact

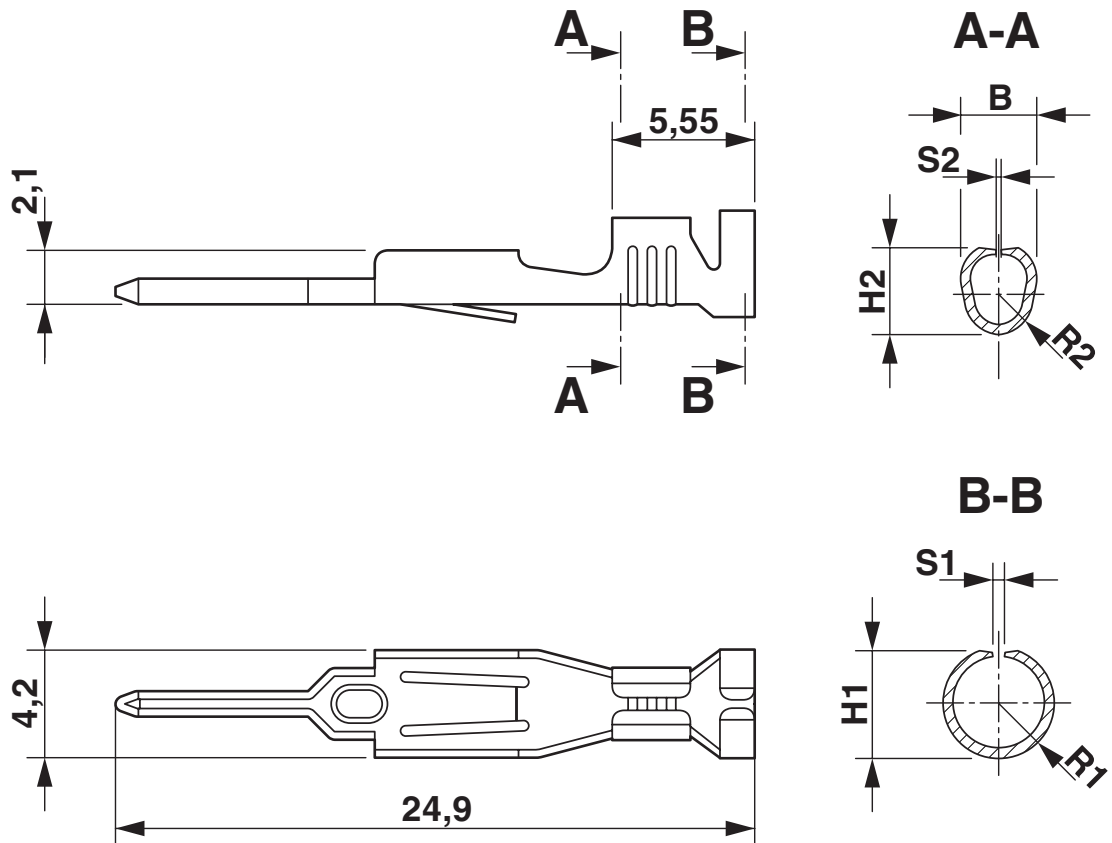
3190580

<https://www.phoenixcontact.com/in/products/3190580>



Drawings

Dimensional drawing



ICC-MT 1,5-2,5 - Crimp contact

3190580

<https://www.phoenixcontact.com/in/products/3190580>



Approvals



EAC

Approval ID: B.01687

ICC-MT 1,5-2,5 - Crimp contact



3190580

<https://www.phoenixcontact.com/in/products/3190580>

Classifications

ECLASS

| | |
|-------------|----------|
| ECLASS-11.0 | 27460403 |
| ECLASS-12.0 | 27460403 |
| ECLASS-13.0 | 27460403 |

ETIM

| | |
|----------|----------|
| ETIM 8.0 | EC000796 |
|----------|----------|

UNSPSC

| | |
|-------------|----------|
| UNSPSC 21.0 | 39121500 |
|-------------|----------|

ICC-MT 1,5-2,5 - Crimp contact

3190580

<https://www.phoenixcontact.com/in/products/3190580>



Environmental Product Compliance

| | |
|------------|---|
| China RoHS | Environmentally friendly use period: unlimited = EFUP-e |
| | No hazardous substances above threshold values |

ICC-MT 1,5-2,5 - Crimp contact

3190580

<https://www.phoenixcontact.com/in/products/3190580>



Accessories

CRIMPFOX MT 2,5 - Crimping pliers

1204038

<https://www.phoenixcontact.com/in/products/1204038>

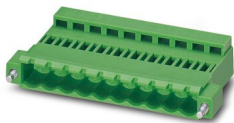


Crimping pliers, for crimping conductors to the module female contacts STG-MTN, crimp range: 0.5-2.5 mm², AWG: 20-14

ICC 2,5/ 2-STZF-5,08 - PCB connector

1823383

<https://www.phoenixcontact.com/in/products/1823383>



PCB connector, nominal cross section: 2.5 mm², color: green, nominal current: 12 A, rated voltage (III/2): 320 V, type of contact: Pin, number of potentials: 2, number of rows: 1, number of positions: 2, number of connections: 2, product range: ICC 2,5/..-STZF, pitch: 5.08 mm, connection method: Crimp connection, conductor/PCB connection direction: 0 °, locking clip: - without locking clip, plug-in system: COMBICON MSTB 2,5, locking: Screw locking, mounting: Screw flange, type of packaging: packed in cardboard, Corresponding male crimp contacts with current [A] and conductor cross section range [mm²] data: 10A/ICC-MT 0,5-1,0 (3190577); 10A/ICC-MT 0,5-1,0 BA (3190603); 12A/ICC-MT 1,5-2,5 (3190580); 12A/ICC-MT 1,5-2,5 BA (3190593). BA = Bandkontakte

ICC-MT 1,5-2,5 - Crimp contact

3190580

<https://www.phoenixcontact.com/in/products/3190580>



ICC 2,5/ 2-STZFD-5,08 - PCB connector

1823613

<https://www.phoenixcontact.com/in/products/1823613>



PCB connector, nominal cross section: 2.5 mm², color: green, nominal current: 12 A, rated voltage (III/2): 320 V, type of contact: Pin, number of potentials: 2, number of rows: 1, number of positions: 2, number of connections: 2, product range: ICC 2,5/..-STZFD, pitch: 5.08 mm, connection method: Crimp connection, conductor/PCB connection direction: 0 °, locking clip: - without locking clip, plug-in system: COMBICON MSTB 2,5, locking: Screw locking, mounting: Screw flange, type of packaging: packed in cardboard, Corresponding male crimp contacts with current [A] and conductor cross section range [mm²] data: 10A/ICC-MT 0,5-1,0 (3190577); 10A/ICC-MT 0,5-1,0 BA (3190603); 12A/ICC-MT 1,5-2,5 (3190580); 12A/ICC-MT 1,5-2,5 BA (3190593). BA = Bandkontakte

ICC 2,5/ 2-STZ-5,08 - PCB connector

1823846

<https://www.phoenixcontact.com/in/products/1823846>



PCB connector, nominal cross section: 2.5 mm², color: green, nominal current: 12 A, rated voltage (III/2): 320 V, type of contact: Pin, number of potentials: 2, number of rows: 1, number of positions: 2, number of connections: 2, product range: ICC 2,5/..-STZ, pitch: 5.08 mm, connection method: Crimp connection, conductor/PCB connection direction: 0 °, locking clip: - without locking clip, plug-in system: COMBICON MSTB 2,5, locking: Snap-in locking, mounting: Engagement nose, type of packaging: packed in cardboard, Corresponding male crimp contacts with current [A] and conductor cross section range [mm²] data: 10A/ICC-MT 0,5-1,0 (3190577); 10A/ICC-MT 0,5-1,0 BA (3190603); 12A/ICC-MT 1,5-2,5 (3190580); 12A/ICC-MT 1,5-2,5 BA (3190593). BA = Bandkontakte

Phoenix Contact 2023 © - all rights reserved

<https://www.phoenixcontact.com>

PHOENIX CONTACT (I) Pvt. Ltd.

A-58/2, Okhla Industrial Area, Phase - II, New Delhi-110 020

+91.1275.71420

info@phoenixcontact.co.in