



Amphenol FCI

© 2016 AFCI

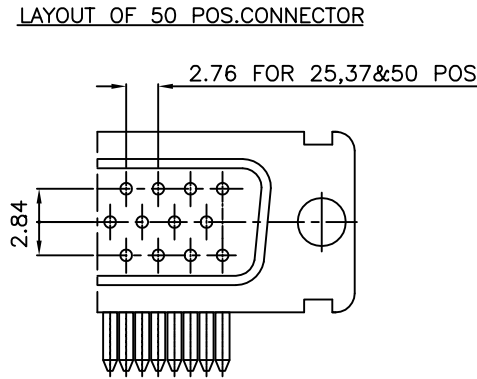
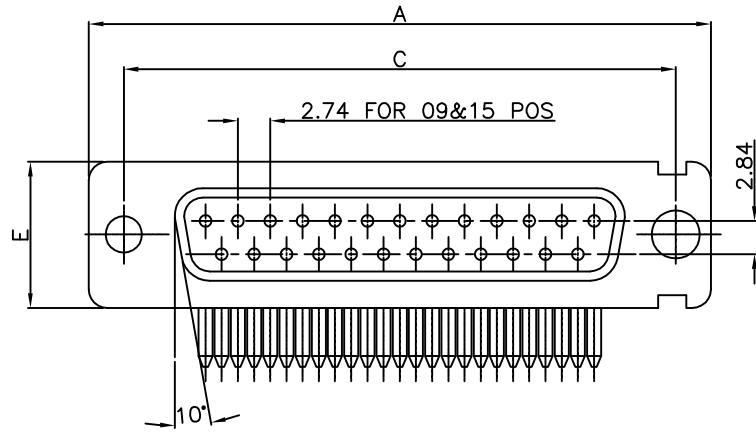
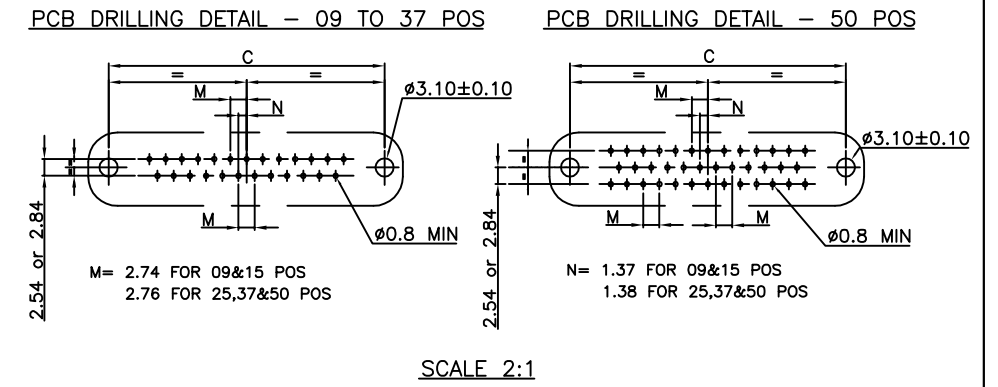
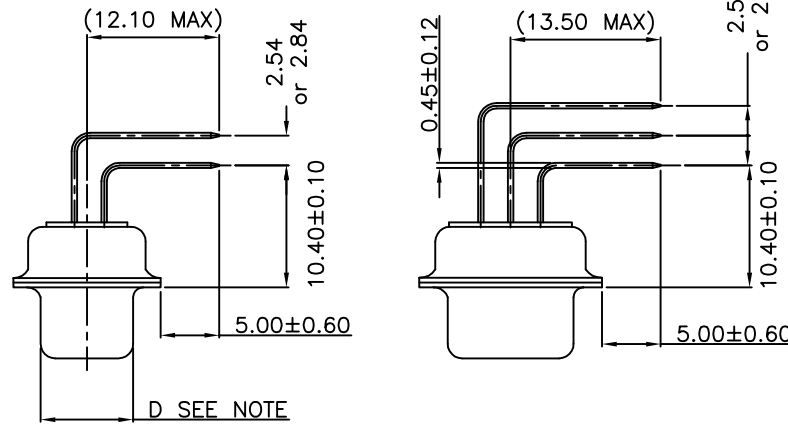
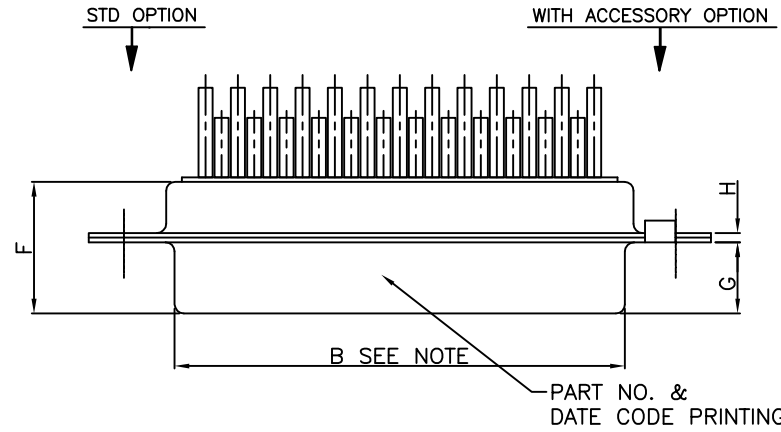
1

2 3

4

5

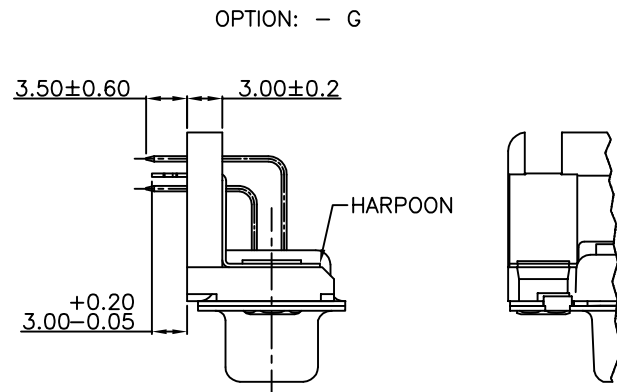
6



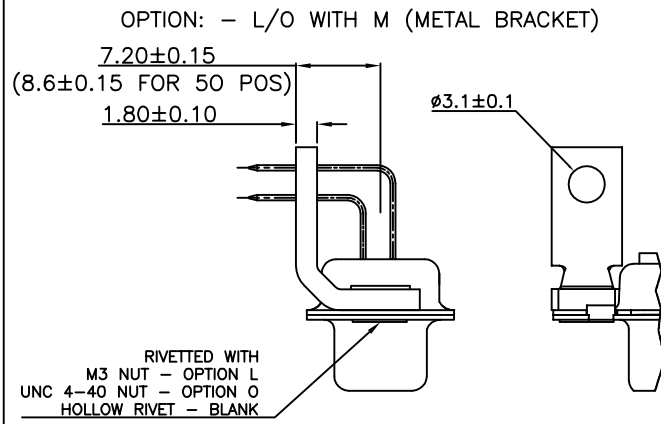
TECHNICAL SPECIFICATIONS

- SHELLS : TIN PLATED STEEL
- CONTACTS DIA ON ACTIVE AREA ϕ 1 MM.
- CONTACTS MATERIAL : COPPER ALLOY
- CONTACT PLATING : GXT / GOLD OVER NICKEL (ACTIVE ZONE)
: TIN OVER NICKEL (TERMINATION ZONE)
- FOR LEAD FREE PLATING : 2 μ MIN. TIN TOP OVER 1.27 μ MIN.
NICKEL UNDER PLATE(ON TERMINATION ZONE)
- INSULATOR MATERIAL : SELF EXTINGUISHING THERMOPLASTIC-
TO UL CLASS 94 V0
THE HOUSING WILL WITHSTAND EXPOSURE TO
260-265°C IF WE USE PROTECTIVE ADHESIVE
(Kapton or Teflon) OR PROTECTIVE METALLIC DEVICE
- OPERATING TEMPERATURE : -55°C +125°C
- OPERATING CURRENT : 5 A PER CONTACT
- CONTACT RESISTANCE : \leq 25m Ω
- INSULATION RESISTANCE : \geq 5000 M Ω
- MAXIMUM VOLTAGE : 1000 V.r.m.s
- MECHANICAL ENDURANCE : 500 MATINGS MIN.FOR CODE 65
200 MATINGS MIN.FOR CODE 64
- DAMP HEAT : 21 DAYS.

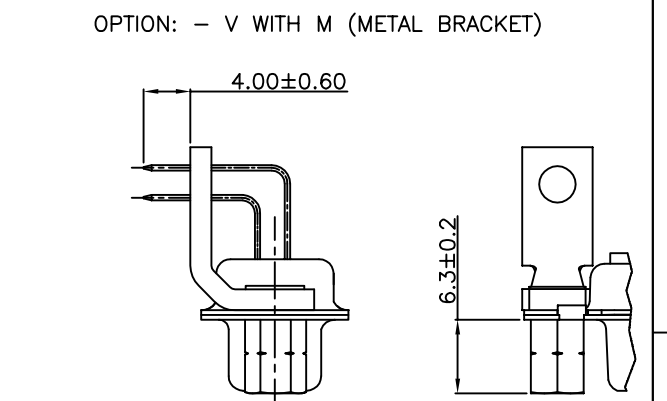
HARPOON WITH PLASTIC BRACKET



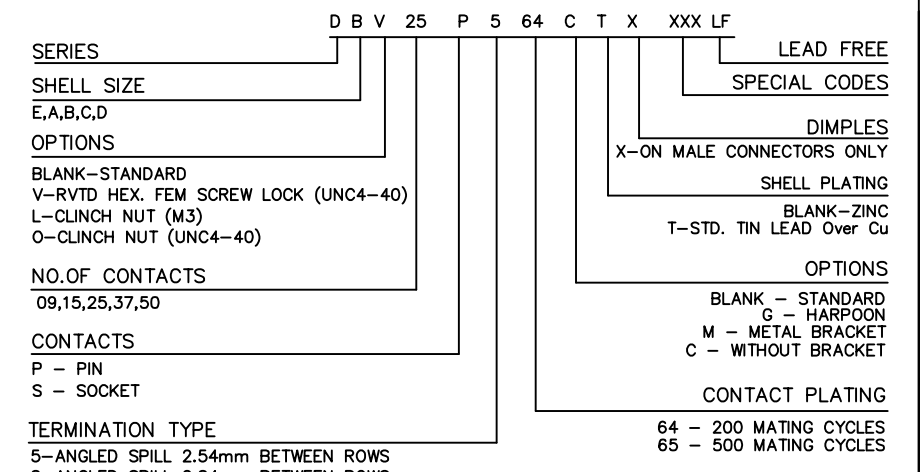
VIEW WITH RIVET & METAL BRACKET



VIEW WITH RIVETED FEMALE SCREW & METAL BRACKET



ORDERING INFORMATION



50	P	66.93	52.80	61.11	11.20	15.37	11.09	5.75	1.0
	S	66.93	52.42	61.11	10.74	15.37	11.21	6.05	0.9
37	P	69.32	55.42	63.50	8.35	12.55	11.09	5.75	1.0
	S	69.32	54.83	63.50	7.89	12.55	11.21	6.05	0.9
25	P	53.03	38.96	47.04	8.35	12.55	11.09	5.75	0.9
	S	53.03	38.37	47.04	7.89	12.55	11.21	6.05	0.9
15	P	39.14	25.24	33.32	8.35	12.55	10.99	5.85	0.9
	S	39.14	24.66	33.32	7.89	12.55	11.21	6.05	0.9
09	P	30.81	16.91	24.99	8.35	12.55	10.99	5.85	0.9
	S	30.81	16.33	24.99	7.89	12.55	11.21	6.05	0.9
	SHELL SIZE	\pm 0.38	\pm 0.13	\pm 0.13	\pm 0.13	\pm 0.38	F MAX	\pm 0.25	\pm 0.12
		A	B	C	D	E		G-O	H

NOTES:
 1) GENERAL VIEW SHOWN IS OPTION C
 2) INSIDE DIMENSION OF MALE AND OUTSIDE DIMENSION OF THE FEMALE CONNECTOR

"This LF product meets European Union Directives and other country regulations as described in GS-47-0004."
 The housing will withstand exposure to 260°C peak temperature for 3.5 seconds in a wave solder application with a 1.6mm minimum thick circuit board.
 Packaging as per GS-14-920

mat'l. code	surface	tolerance	projection	product family
-	ISO 1302 ✓	ISO 406 ISO 1101		D-SUB
ltr	ecn no	dr	date	title
G	I06-0074	GVJ	2006/06/08	D-SUB A/S CONNECTOR WITH FOOTPRINT 10.4 mm
H	I08-0139	MRA	2008/10/13	(WITH ASSEMBLY OPTIONS)
J	I09-0075	MRA	2009/05/14	
K	I11-0003	MRA	2011/01/06	dwg no
L	ELX-I-15429	MP	2013/08/06	sheet 1 of 1
M	ELX-I-20760	MP	2015/05/02	size
N	ELX-I-36806	GM	22-04-2020	A3
sheet	revision	N		type
index	sheet	1		Product Customer Drawing