

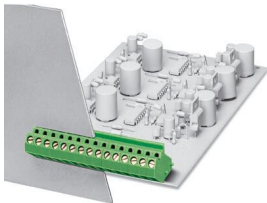
DMKDS 2,5 - PCB terminal block



1740000

<https://www.phoenixcontact.com/in/products/1740000>

Please be informed that the data shown in this PDF document is generated from our Online Catalog. Please find the complete data in the user documentation. Our General Terms of Use for Downloads are valid.



PCB terminal block, nominal current: 26 A, rated voltage (III/2): 400 V, nominal cross section: 2.5 mm², number of potentials: 1, number of rows: 1, number of positions per row: 1, product range: DMKDS 2,5, pitch: 5 mm, connection method: Screw connection with tension sleeve, screw head form: L Slotted, mounting: Wave soldering, conductor/PCB connection direction: 315 °, color: green, Pin layout: Linear pinning, Solder pin [P]: 3.4 mm, number of solder pins per potential: 1, type of packaging: packed in cardboard

Your advantages

- Well-known connection principle allows worldwide use
- Low temperature rise, thanks to maximum contact force
- The latching on the side enables various numbers of positions to be combined

Commercial Data

Item number	1740000
Packing unit	50 pc
Minimum order quantity	50 pc
Sales Key	AAM
Product Key	AAMFAA
GTIN	4017918028169
Weight per Piece (including packing)	3.07 g
Weight per Piece (excluding packing)	2.8 g
Customs tariff number	85369010
Country of origin	PL

DMKDS 2,5 - PCB terminal block



1740000

<https://www.phoenixcontact.com/in/products/1740000>

Technical Data

Product properties

Type	PCB terminal block can be aligned in rows+feed-through terminal block
Product line	COMBICON Terminals M
Product type	Printed circuit board terminal
Product family	DMKDS 2,5
Number of positions	1
Pitch	5 mm
Number of connections	1
Number of rows	1
Number of potentials	1
Pin layout	Linear pinning
Solder pins per potential	1

Electrical properties

Nominal current I_N	26 A
Nominal voltage U_N	400 V
Degree of pollution	3
Rated voltage (III/3)	320 V
Rated surge voltage (III/3)	4 kV
Rated voltage (III/2)	400 V
Rated surge voltage (III/2)	4 kV
Rated voltage (II/2)	630 V
Rated surge voltage (II/2)	4 kV

Connection data

Connection technology

Type	PCB terminal block can be aligned in rows+feed-through terminal block
Nominal cross section	2.5 mm ²

Conductor connection

Connection method	Screw connection with tension sleeve
Conductor cross section solid	0.2 mm ² ... 4 mm ²
Conductor cross section flexible	0.2 mm ² ... 2.5 mm ²
Conductor cross section AWG	24 ... 12
Conductor cross section flexible, with ferrule without plastic sleeve	0.25 mm ² ... 2.5 mm ²
Conductor cross section, flexible, with ferrule, with plastic sleeve	0.25 mm ² ... 2.5 mm ²
Stripping length	7 mm
Tightening torque	0.5 Nm ... 0.6 Nm

DMKDS 2,5 - PCB terminal block



1740000

<https://www.phoenixcontact.com/in/products/1740000>

Mounting

Mounting type	Wave soldering
Pin layout	Linear pinning
Drive form screw head	Slotted (L)
Drive form screw head	Slotted (L)

Processing notes

Process	Wave soldering
---------	----------------

Material specifications

Material data - contact

Note	WEEE/RoHS-compliant, free of whiskers according to IEC 60068-2-82/JEDEC JESD 201
Contact material	Cu alloy
Metal surface terminal point (top layer)	Tin (5 - 7 μm Sn)
Metal surface soldering area (top layer)	Tin (5 - 7 μm Sn)

Material data - housing

Color (Housing)	green (6021)
Insulating material	PA
Insulating material group	I
CTI according to IEC 60112	600
Flammability rating according to UL 94	V2

Material data – actuating element

Color ()	()
----------	----

Electrical tests

Air clearances and creepage distances |

Specification	IEC 60664-1:2007-04
Insulating material group	I
Comparative tracking index (IEC 60112)	CTI 600
Rated insulation voltage (III/3)	320 V
Rated surge voltage (III/3)	4 kV
minimum clearance value - non-homogenous field (III/3)	3 mm
minimum creepage distance (III/3)	4 mm
Rated insulation voltage (III/2)	400 V
Rated surge voltage (III/2)	4 kV
minimum clearance value - non-homogenous field (III/2)	3 mm
minimum creepage distance (III/2)	3 mm
Rated insulation voltage (II/2)	630 V
Rated surge voltage (II/2)	4 kV
minimum clearance value - non-homogenous field (II/2)	3 mm
minimum creepage distance (II/2)	3.2 mm

DMKDS 2,5 - PCB terminal block

1740000

<https://www.phoenixcontact.com/in/products/1740000>



Packaging specifications

Type of packaging	
	packed in cardboard

DMKDS 2,5 - PCB terminal block

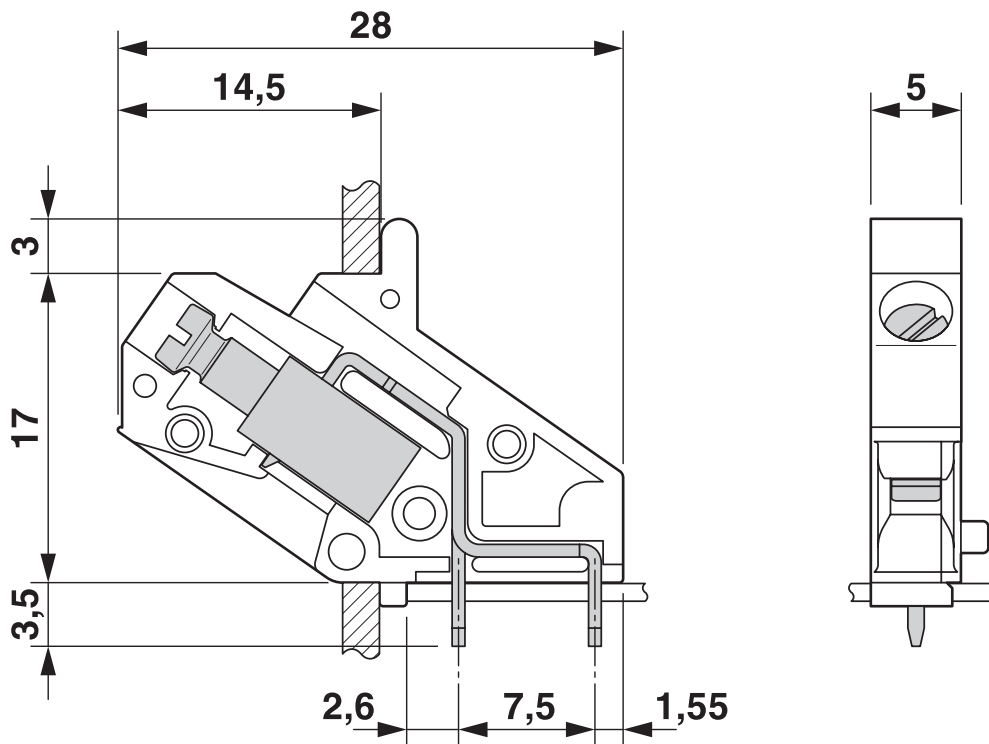
1740000

<https://www.phoenixcontact.com/in/products/1740000>



Drawings

Dimensional drawing

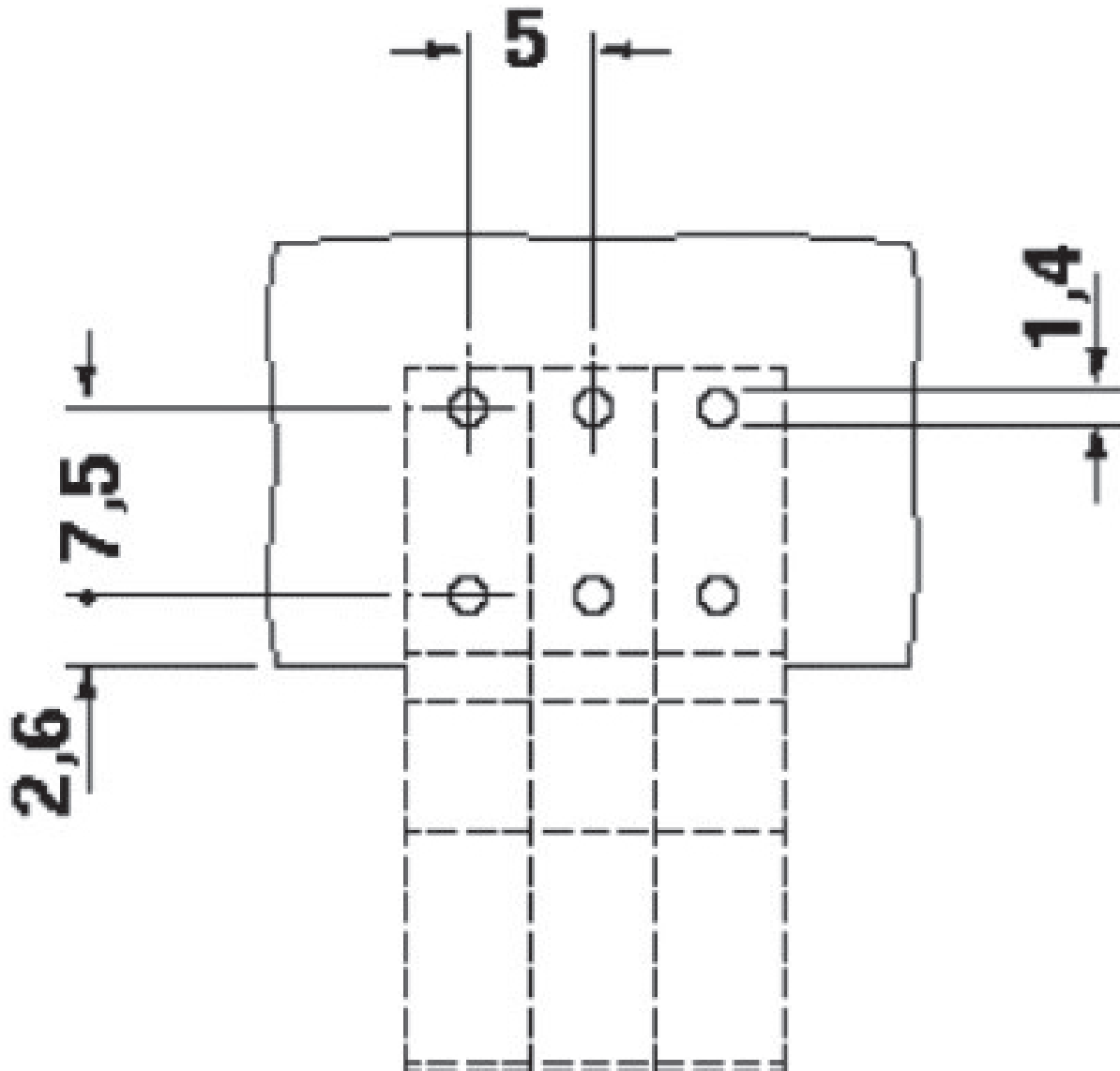


DMKDS 2,5 - PCB terminal block

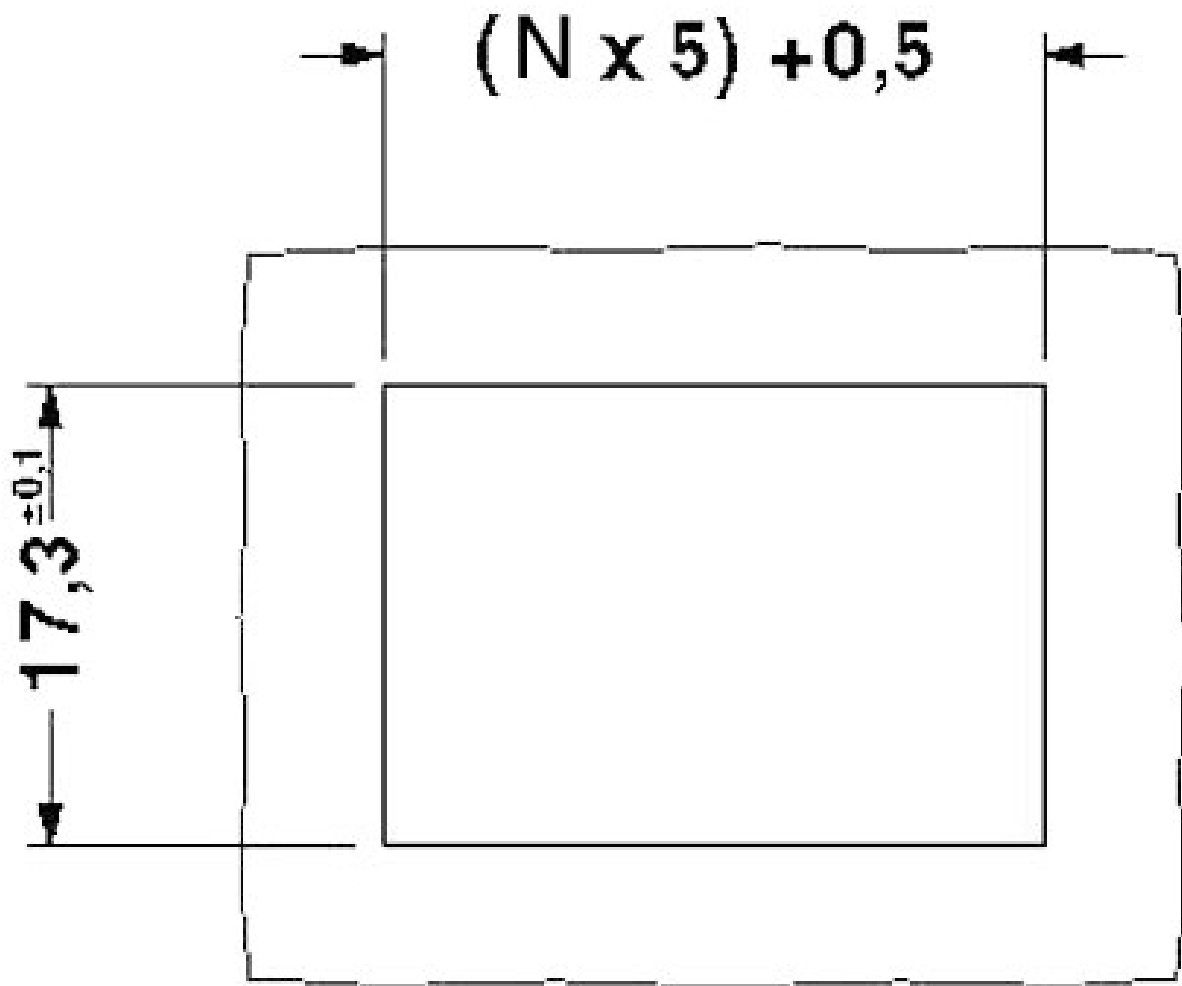
1740000

<https://www.phoenixcontact.com/in/products/1740000>

Drilling plan/solder pad geometry



Drilling plan/solder pad geometry



Cutout dimensions
N = No. of positions

DMKDS 2,5 - PCB terminal block




1740000

<https://www.phoenixcontact.com/in/products/1740000>

Approvals

 **CSA**
Approval ID: 13631

 **EAC**
Approval ID: B.01687

 **cULus Recognized**
Approval ID: E60425-19770427

DMKDS 2,5 - PCB terminal block



1740000

<https://www.phoenixcontact.com/in/products/1740000>

Classifications

ECLASS

ECLASS-10.0.1	27440401
ECLASS-11.0	27460101

ETIM

ETIM 8.0	EC001283
----------	----------

UNSPSC

UNSPSC 21.0	39121400
-------------	----------

DMKDS 2,5 - PCB terminal block



1740000

<https://www.phoenixcontact.com/in/products/1740000>

Environmental Product Compliance

China RoHS	Environmentally friendly use period: unlimited = EFUP-e
	No hazardous substances above threshold values

DMKDS 2,5 - PCB terminal block

1740000

<https://www.phoenixcontact.com/in/products/1740000>



Accessories

RPS - Reducing plug

0201647

<https://www.phoenixcontact.com/in/products/0201647>



Reducing plug, color: gray

SZS 0,6X3,5 - Screwdriver

1205053

<https://www.phoenixcontact.com/in/products/1205053>



Actuation tool, for ST terminal blocks, insulated, also suitable for use as a bladed screwdriver, size: 0.6 x 3.5 x 100 mm, 2-component grip, with non-slip grip

DMKDS 2,5 - PCB terminal block

1740000

<https://www.phoenixcontact.com/in/products/1740000>



RZ 2,5-DMKDS - Pitch spacer

1740042

<https://www.phoenixcontact.com/in/products/1740042>



Pitch spacer, increases the pitch by 2.5 mm, interlocks with terminal block of the same shape

MPS-MT - Test plugs

0201744

<https://www.phoenixcontact.com/in/products/0201744>



Test plugs, with solder connection up to 1 mm² conductor cross section, color: gray

DMKDS 2,5 - PCB terminal block

1740000

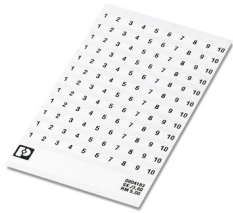
<https://www.phoenixcontact.com/in/products/1740000>



SK 5/3,8:FORTL.ZAHLEN - Marker card

0804183

<https://www.phoenixcontact.com/in/products/0804183>



Marker card, white, labeled, horizontal: consecutive numbers 1 ... 10, 11 ... 20, etc. up to 91 ... (99)100, mounting type: adhesive, for terminal block width: 5 mm, lettering field size: 5 x 3.8 mm

Phoenix Contact 2023 © - all rights reserved

<https://www.phoenixcontact.com>

PHOENIX CONTACT (I) Pvt. Ltd.

A-58/2, Okhla Industrial Area, Phase - II, New Delhi-110 020

+91.1275.71420

info@phoenixcontact.co.in