

EG 22,5-A/ABS GN - Upper part of housing



2764072

<https://www.phoenixcontact.com/in/products/2764072>

Please be informed that the data shown in this PDF document is generated from our Online Catalog. Please find the complete data in the user documentation. Our General Terms of Use for Downloads are valid.

Housing cover, for connection on both sides



Your advantages

- Tool-free mounting

Commercial Data

Item number	2764072
Packing unit	20 pc
Minimum order quantity	20 pc
Sales Key	ACH
Product Key	ACHCGA
Catalog Page	Page 718 (C-1-2013)
GTIN	4017918065829
Weight per Piece (including packing)	9.152 g
Weight per Piece (excluding packing)	7.296 g
Customs tariff number	85389099
Country of origin	PL

2764072

<https://www.phoenixcontact.com/in/products/2764072>

Technical Data

Product properties

Product type	Upper housing part
Product family	EG
Number of positions	8
Type	Cover, for two-sided connection
Housing type	Component housing
Ventilation openings present	no
Housing series	EG

Dimensions

PCB design

PCB thickness	1.4 mm ... 1.8 mm
---------------	-------------------

Material specifications

Color	green (6021)
Flammability rating according to UL 94	HB
Surface characteristics	untreated
Housing material	ABS

Environmental and real-life conditions

Ambient conditions

Degree of protection	IP20
Max. IP code to attain	IP20
Ambient temperature (operation)	-40 °C ... 80 °C (depending on power dissipation)
Ambient temperature (storage/transport)	-40 °C ... 55 °C
Ambient temperature (assembly)	-5 °C ... 80 °C

PCB data

Thickness of the PCB	1.4 mm ... 1.8 mm
----------------------	-------------------

Mounting

Mounting type	Snap in
Mounting position	Vertical (horizontal DIN rail)

EG 22,5-A/ABS GN - Upper part of housing

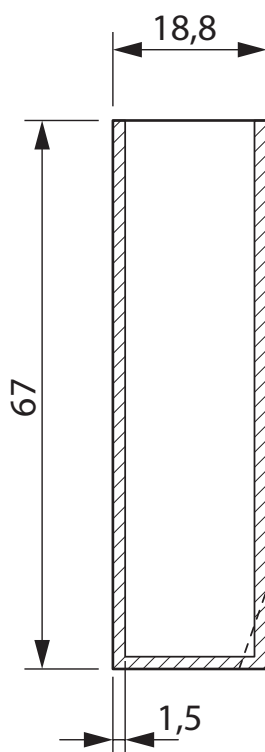
2764072

<https://www.phoenixcontact.com/in/products/2764072>



Drawings

Dimensional drawing

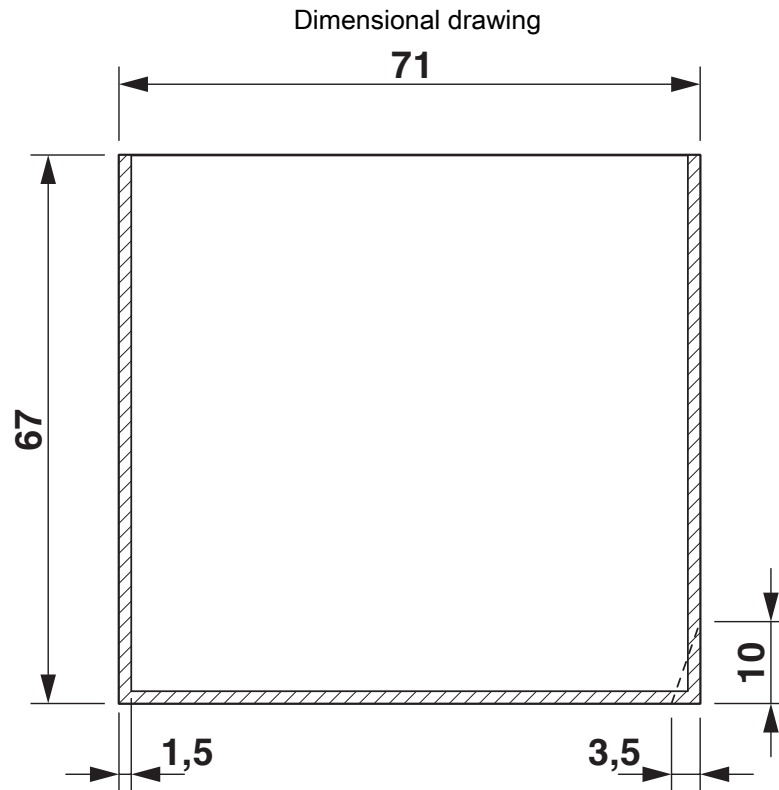


valid for PCB 1, see explosion drawing

EG 22,5-A/ABS GN - Upper part of housing

2764072

<https://www.phoenixcontact.com/in/products/2764072>

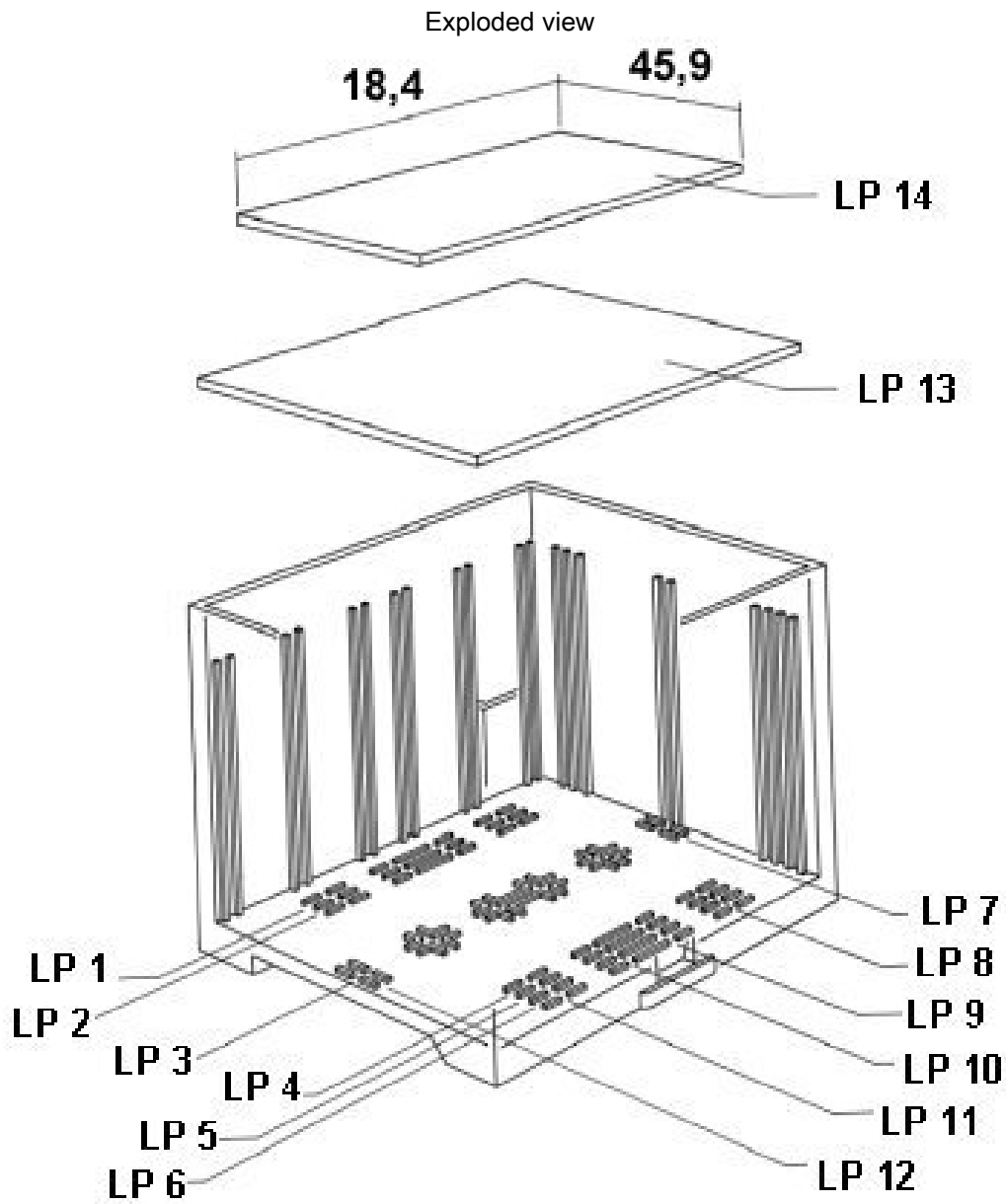


valid for PCB 7, see explosion drawing

EG 22,5-A/ABS GN - Upper part of housing

2764072

<https://www.phoenixcontact.com/in/products/2764072>

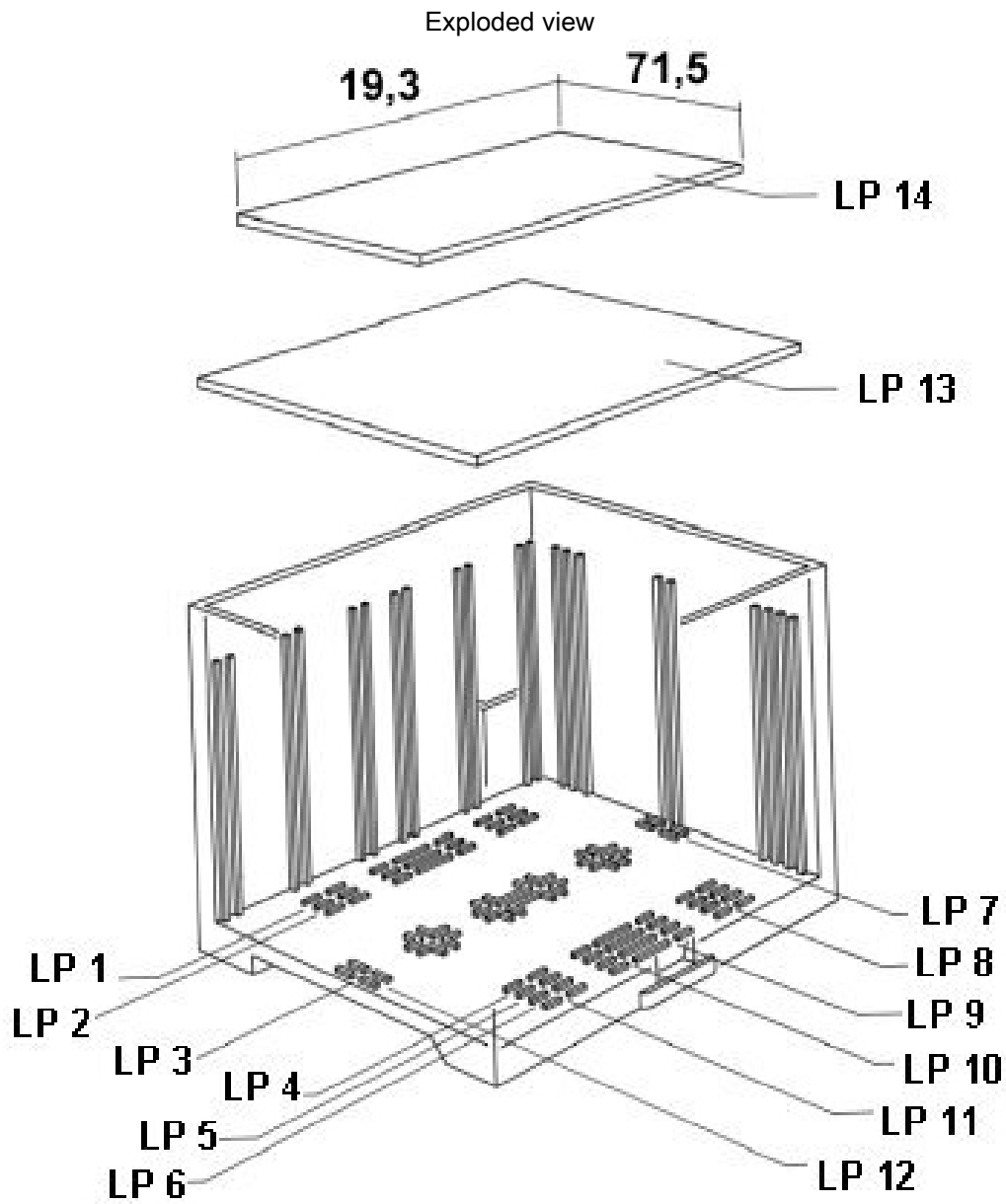


valid for PCB 14

EG 22,5-A/ABS GN - Upper part of housing

2764072

<https://www.phoenixcontact.com/in/products/2764072>

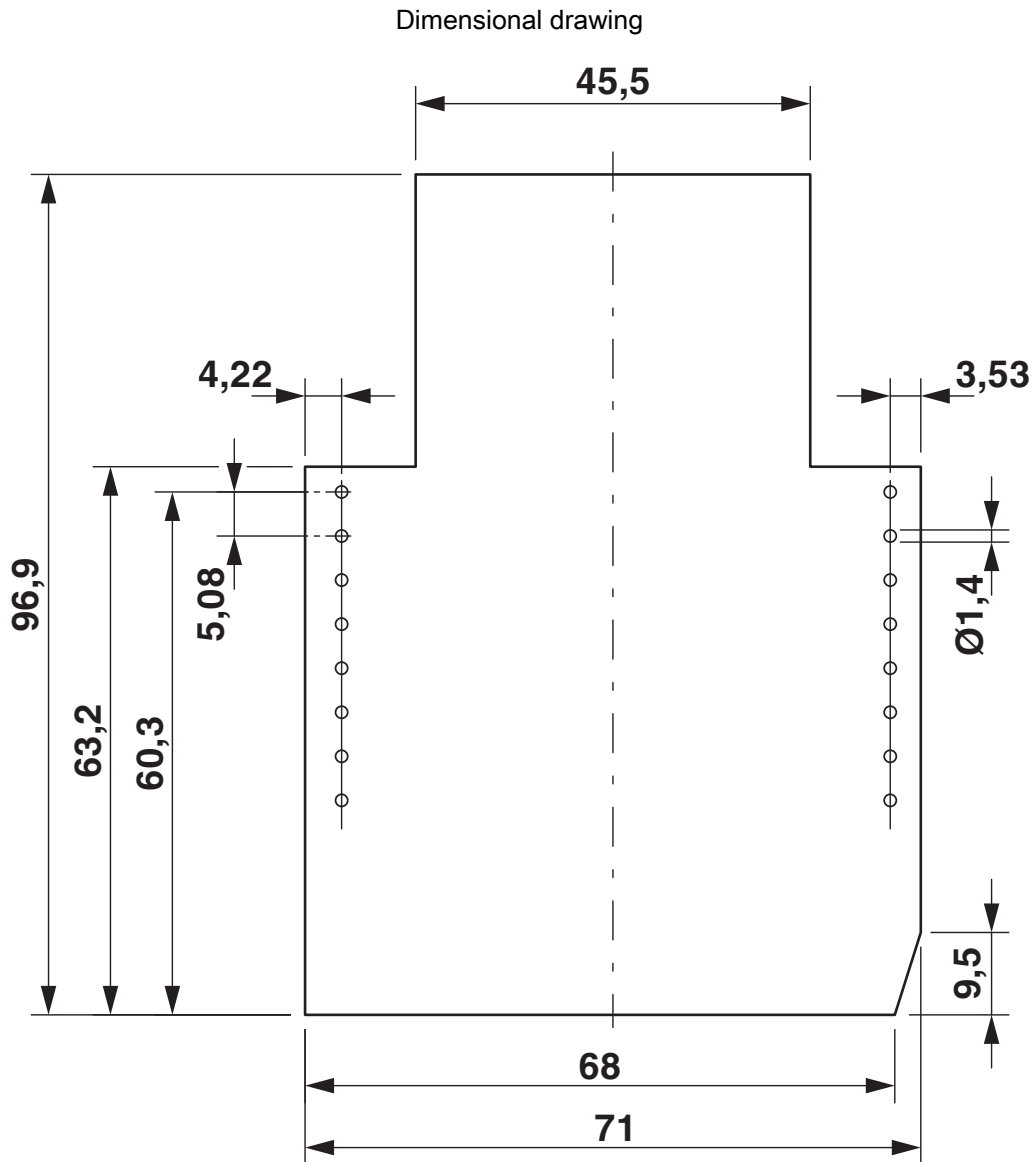


valid for PCB 13

EG 22,5-A/ABS GN - Upper part of housing

2764072

<https://www.phoenixcontact.com/in/products/2764072>



Component mounting side, if the double-level upper part is used

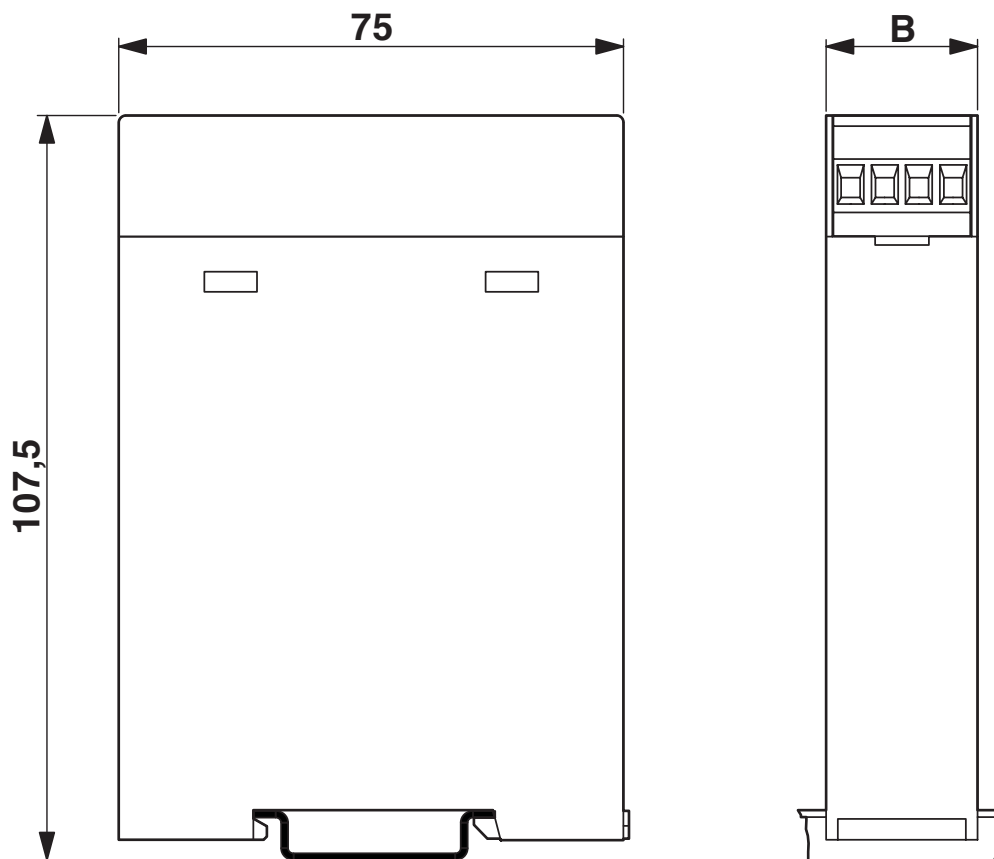
EG 22,5-A/ABS GN - Upper part of housing

2764072

<https://www.phoenixcontact.com/in/products/2764072>



Dimensional drawing



EG 22,5-A/ABS GN - Upper part of housing



2764072

<https://www.phoenixcontact.com/in/products/2764072>

Approvals



EAC

Approval ID: B.01687



UL Recognized

Approval ID: FILE E 240868

EG 22,5-A/ABS GN - Upper part of housing



2764072

<https://www.phoenixcontact.com/in/products/2764072>

Classifications

ECLASS

ECLASS-10.0.1	27182702
ECLASS-11.0	27182702

ETIM

ETIM 8.0	EC001031
----------	----------

UNSPSC

UNSPSC 21.0	31261500
-------------	----------

EG 22,5-A/ABS GN - Upper part of housing



2764072

<https://www.phoenixcontact.com/in/products/2764072>

Environmental Product Compliance

China RoHS	Environmentally friendly use period: unlimited = EFUP-e
	No hazardous substances above threshold values

2764072

<https://www.phoenixcontact.com/in/products/2764072>

Accessories

MVSTBW 2,5/ 4-ST-5,08 - PCB connector

1792773

<https://www.phoenixcontact.com/in/products/1792773>



PCB connector, nominal cross section: 2.5 mm², color: green, nominal current: 12 A, rated voltage (III/2): 320 V, contact surface: Tin, type of contact: Female connector, number of potentials: 4, number of rows: 1, number of positions: 4, number of connections: 4, product range: MVSTBW 2,5/...-ST, pitch: 5.08 mm, connection method: Screw connection with tension sleeve, screw head form: L Slotted, conductor/PCB connection direction: -90 °, locking clip: - Locking clip, plug-in system: COMBICON MSTB 2,5, locking: without, mounting: without, type of packaging: packed in cardboard

MVSTBW 2,5/ 4-ST - PCB connector

1792540

<https://www.phoenixcontact.com/in/products/1792540>



PCB connector, nominal cross section: 2.5 mm², color: green, nominal current: 12 A, rated voltage (III/2): 320 V, contact surface: Tin, type of contact: Female connector, number of potentials: 4, number of rows: 1, number of positions: 4, number of connections: 4, product range: MVSTBW 2,5/...-ST, pitch: 5 mm, connection method: Screw connection with tension sleeve, screw head form: L Slotted, conductor/PCB connection direction: -90 °, locking clip: - Locking clip, plug-in system: COMBICON MSTB 2,5, locking: without, mounting: without, type of packaging: packed in cardboard

EG 22,5-A/ABS GN - Upper part of housing

2764072

<https://www.phoenixcontact.com/in/products/2764072>

MVSTBW 2,5/ 4-STEH - PCB connector

1784299

<https://www.phoenixcontact.com/in/products/1784299>

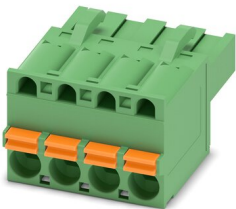


PCB connector, nominal cross section: 2.5 mm², color: green, nominal current: 12 A, rated voltage (III/2): 320 V, contact surface: Tin, type of contact: Female connector, number of potentials: 4, number of rows: 1, number of positions: 4, number of connections: 4, product range: MVSTBW 2,5/...-STEH, pitch: 5 mm, connection method: Screw connection with tension sleeve, screw head form: L Slotted, conductor/PCB connection direction: -90 °, locking clip: - Locking clip, plug-in system: COMBICON MSTB 2,5, locking: without, mounting: without, type of packaging: packed in cardboard

FKCT 2,5/ 4-ST - PCB connector

1909236

<https://www.phoenixcontact.com/in/products/1909236>



PCB connector, nominal cross section: 2.5 mm², color: green, nominal current: 12 A, rated voltage (III/2): 320 V, contact surface: Tin, type of contact: Female connector, number of potentials: 4, number of rows: 1, number of positions: 4, number of connections: 4, product range: FKCT 2,5/...-ST, pitch: 5 mm, connection method: Push-in spring connection, conductor/PCB connection direction: 0 °, locking clip: - Locking clip, plug-in system: COMBICON MSTB 2,5, locking: without, mounting: without, type of packaging: packed in cardboard

EG 22,5-A/ABS GN - Upper part of housing

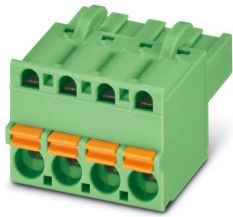
2764072

<https://www.phoenixcontact.com/in/products/2764072>

FKCT 2,5/ 4-ST-5,08 - PCB connector

1902136

<https://www.phoenixcontact.com/in/products/1902136>



PCB connector, nominal cross section: 2.5 mm², color: green, nominal current: 12 A, rated voltage (III/2): 320 V, contact surface: Tin, type of contact: Female connector, number of potentials: 4, number of rows: 1, number of positions: 4, number of connections: 4, product range: FKCT 2,5/...-ST, pitch: 5.08 mm, connection method: Push-in spring connection, conductor/PCB connection direction: 0 °, locking clip: - Locking clip, plug-in system: COMBICON MSTB 2,5, locking: without, mounting: without, type of packaging: packed in cardboard

MKKDSH 3/ 2 - PCB terminal block

1721045

<https://www.phoenixcontact.com/in/products/1721045>



PCB terminal block, nominal current: 24 A, rated voltage (III/2): 400 V, nominal cross section: 2.5 mm², number of potentials: 2, number of rows: 1, number of positions per row: 2, product range: MKKDSH 3, pitch: 5 mm, connection method: Screw connection with tension sleeve, screw head form: L Slotted, mounting: Wave soldering, conductor/PCB connection direction: 0 °, color: green, Pin layout: Linear pinning, Solder pin [P]: 5 mm, number of solder pins per potential: 1, type of packaging: packed in cardboard. The article can be aligned to create different nos. of positions!

EG 22,5-A/ABS GN - Upper part of housing

2764072

<https://www.phoenixcontact.com/in/products/2764072>

MKKDSH 3/ 4 O.Z. - PCB terminal block

1706374

<https://www.phoenixcontact.com/in/products/1706374>



PCB terminal block, nominal current: 24 A, rated voltage (III/2): 400 V, nominal cross section: 2.5 mm², number of rows: 1, number of positions per row: 4, product range: MKKDSH 3, pitch: 5 mm, connection method: Screw connection with tension sleeve, screw head form: L Slotted, mounting: Wave soldering, conductor/PCB connection direction: 0 °, color: green, Pin layout: Linear pinning, Solder pin [P]: 5 mm, number of solder pins per potential: 1, type of packaging: packed in cardboard

MKKDSH 3/ 3 - PCB terminal block

1721346

<https://www.phoenixcontact.com/in/products/1721346>



PCB terminal block, nominal current: 24 A, rated voltage (III/2): 400 V, nominal cross section: 2.5 mm², number of potentials: 3, number of rows: 1, number of positions per row: 3, product range: MKKDSH 3, pitch: 5 mm, connection method: Screw connection with tension sleeve, screw head form: L Slotted, mounting: Wave soldering, conductor/PCB connection direction: 0 °, color: green, Pin layout: Linear pinning, Solder pin [P]: 5 mm, number of solder pins per potential: 1, type of packaging: packed in cardboard. The article can be aligned to create different nos. of positions!

Phoenix Contact 2023 © - all rights reserved
<https://www.phoenixcontact.com>

PHOENIX CONTACT (I) Pvt. Ltd.
A-58/2, Okhla Industrial Area, Phase - II, New Delhi-110 020

+91.1275.71420
info@phoenixcontact.co.in