

EG 45-G/ABS GN - Mounting base housing



2764140

<https://www.phoenixcontact.com/in/products/2764140>

Please be informed that the data shown in this PDF document is generated from our Online Catalog. Please find the complete data in the user documentation. Our General Terms of Use for Downloads are valid.



Component housing, Lower housing part, with snap-on foot, without vents, width: 45 mm, height: 75 mm, color: green (6021), cross connection: without bus connector, number of positions cross connector: not relevant

Your advantages

- Tool-free mounting

Commercial Data

Item number	2764140
Packing unit	10 pc
Minimum order quantity	10 pc
Sales Key	ACH
Product Key	ACHCGA
Catalog Page	Page 719 (C-1-2013)
GTIN	4017918065850
Weight per Piece (including packing)	53.26 g
Weight per Piece (excluding packing)	53.19 g
Customs tariff number	85389099
Country of origin	PL

EG 45-G/ABS GN - Mounting base housing



2764140

<https://www.phoenixcontact.com/in/products/2764140>

Technical Data

Product properties

Type	Lower housing part closed, housing cover necessary to complete the module
Product type	Lower part of the housing
Product family	EG
Number of positions	16
Type	Lower housing part, with snap-on foot
Housing type	Component housing
Ventilation openings present	no
Housing series	EG

Dimensions

PCB design

PCB thickness	1.4 mm ... 1.8 mm
---------------	-------------------

Material specifications

Color	green (6021)
Flammability rating according to UL 94	HB
Surface characteristics	untreated
Housing material	ABS

Environmental and real-life conditions

Ambient conditions

Degree of protection	IP20
Max. IP code to attain	IP20
Ambient temperature (operation)	-40 °C ... 80 °C (depending on power dissipation)
Ambient temperature (storage/transport)	-40 °C ... 55 °C
Ambient temperature (assembly)	-5 °C ... 80 °C

PCB data

Thickness of the PCB	1.4 mm ... 1.8 mm
----------------------	-------------------

Mounting

Mounting type	DIN rail mounting
Mounting position	Vertical (horizontal DIN rail)

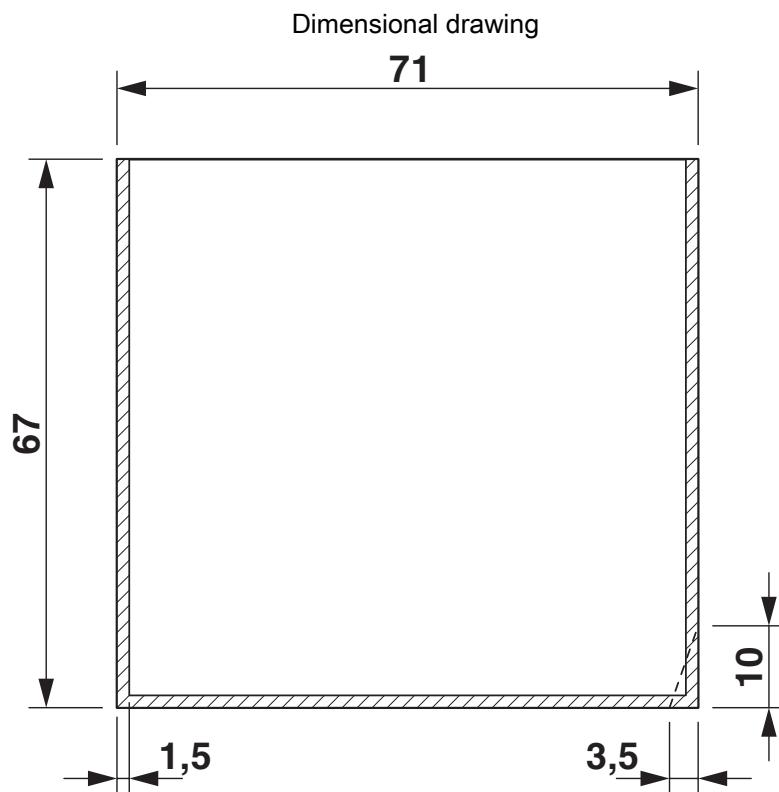
EG 45-G/ABS GN - Mounting base housing

2764140

<https://www.phoenixcontact.com/in/products/2764140>



Drawings

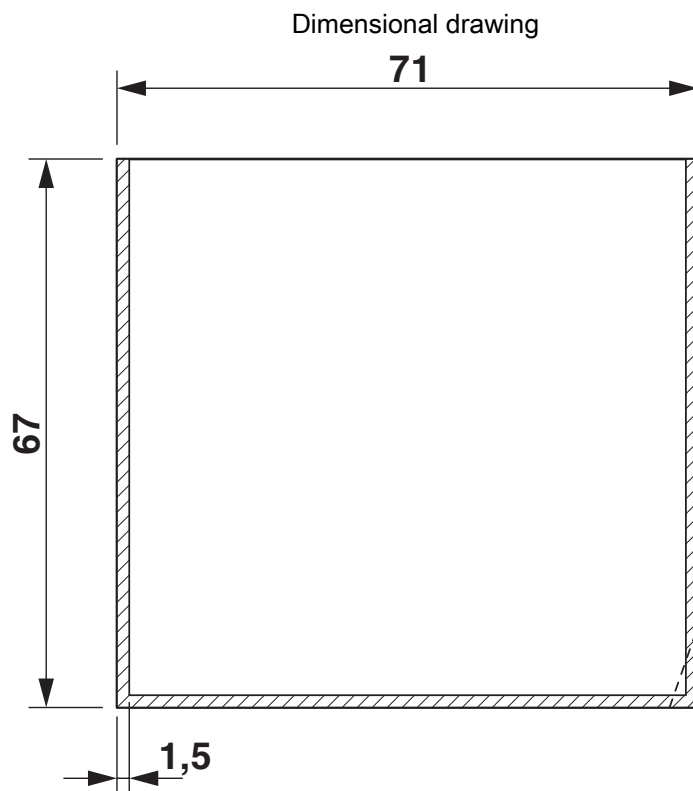


valid for PCB 10, see explosion drawing

EG 45-G/ABS GN - Mounting base housing

2764140

<https://www.phoenixcontact.com/in/products/2764140>

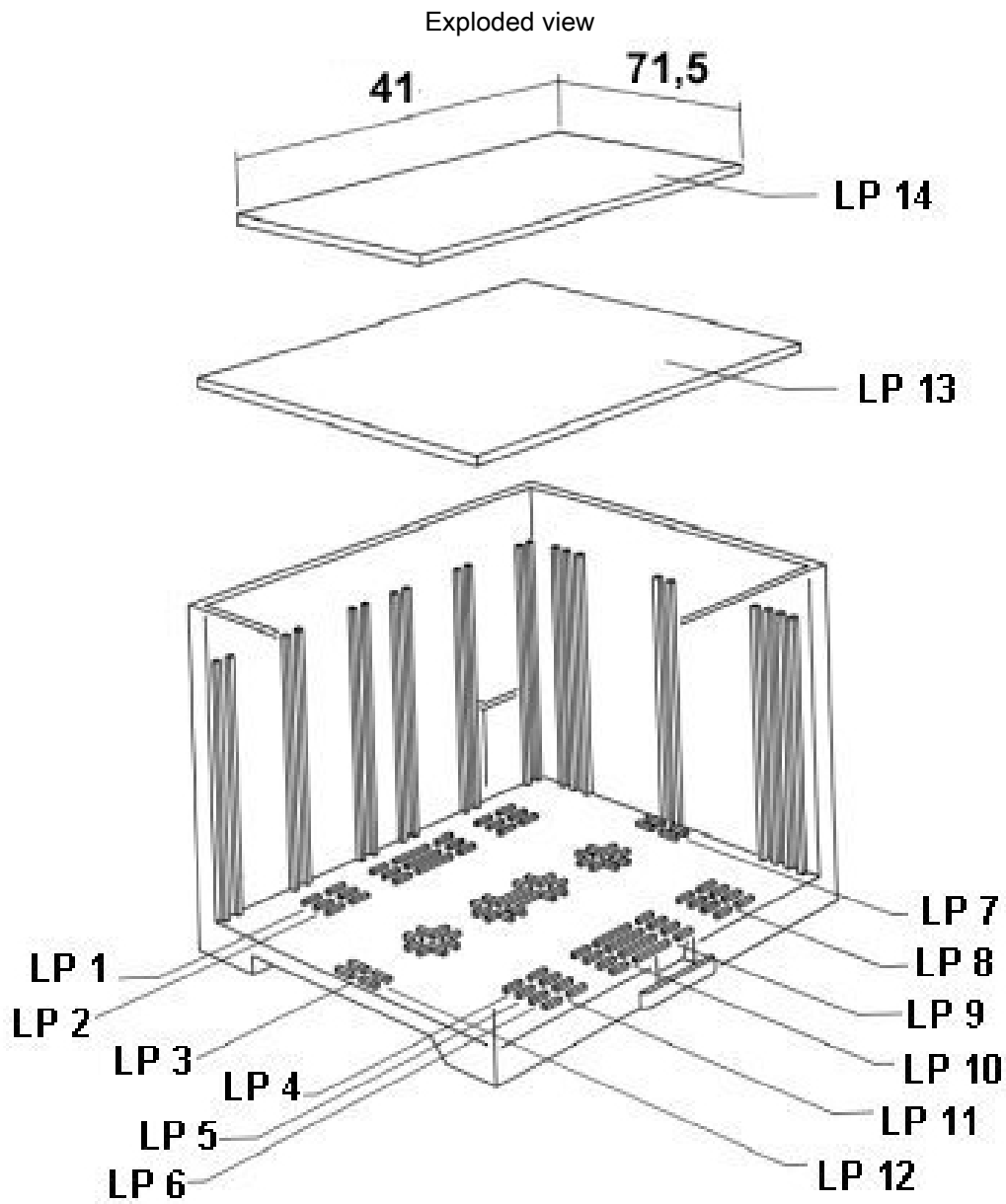


valid for PCB 7 and 12, see explosion drawing

EG 45-G/ABS GN - Mounting base housing

2764140

<https://www.phoenixcontact.com/in/products/2764140>

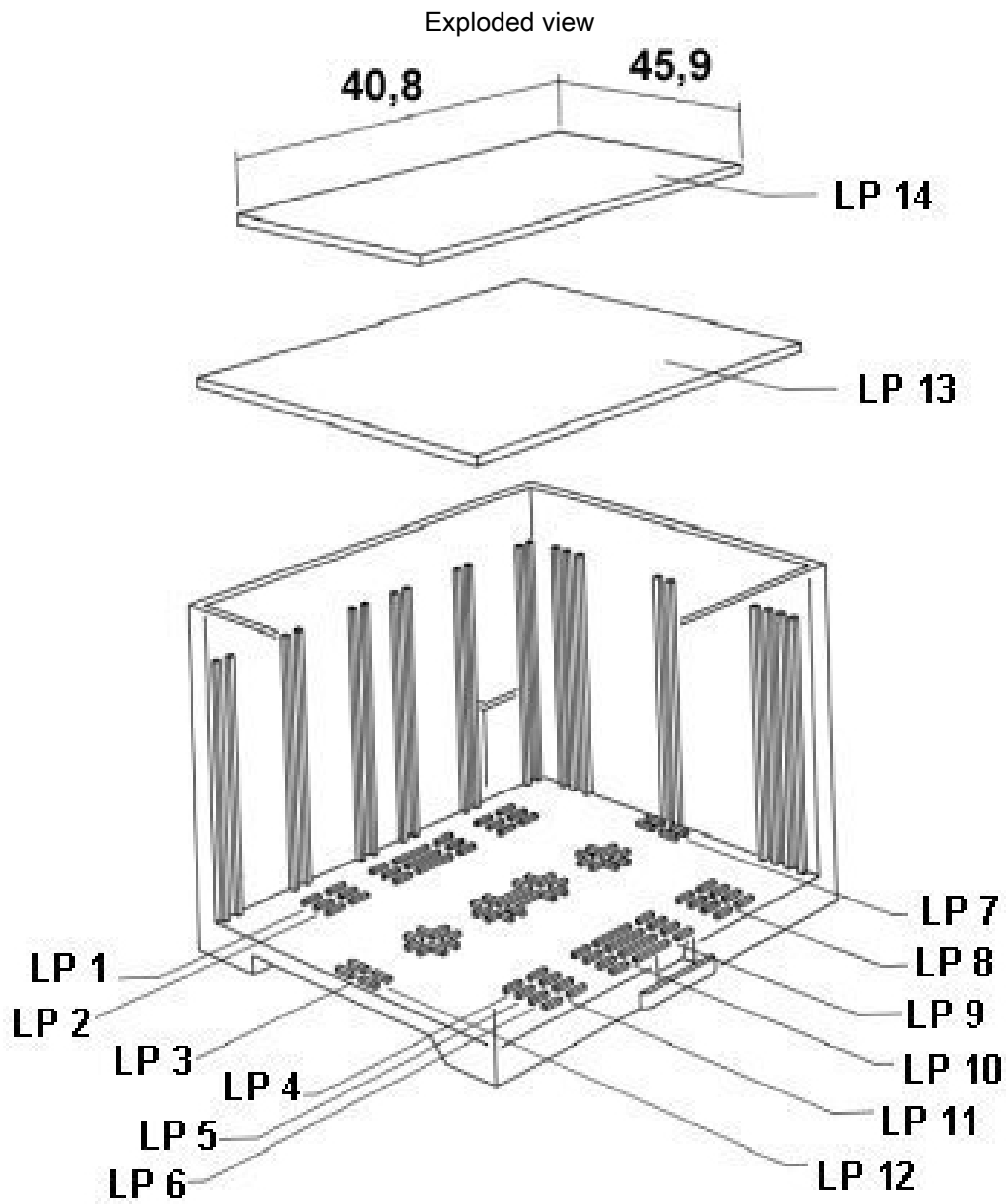


valid for PCB 13

EG 45-G/ABS GN - Mounting base housing

2764140

<https://www.phoenixcontact.com/in/products/2764140>

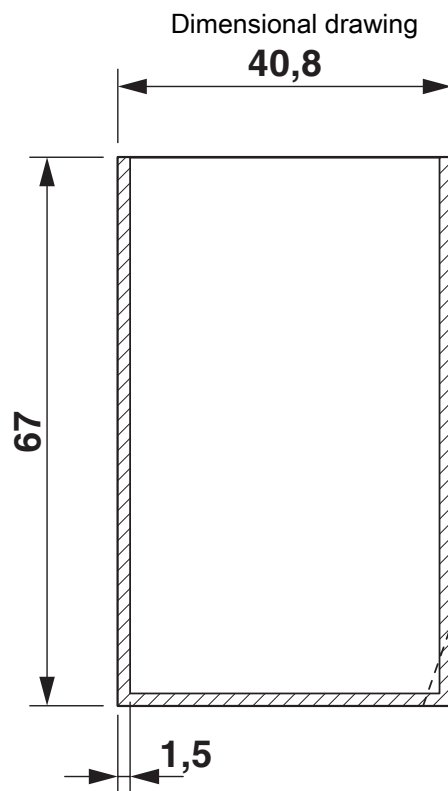


valid for PCB 14

EG 45-G/ABS GN - Mounting base housing

2764140

<https://www.phoenixcontact.com/in/products/2764140>

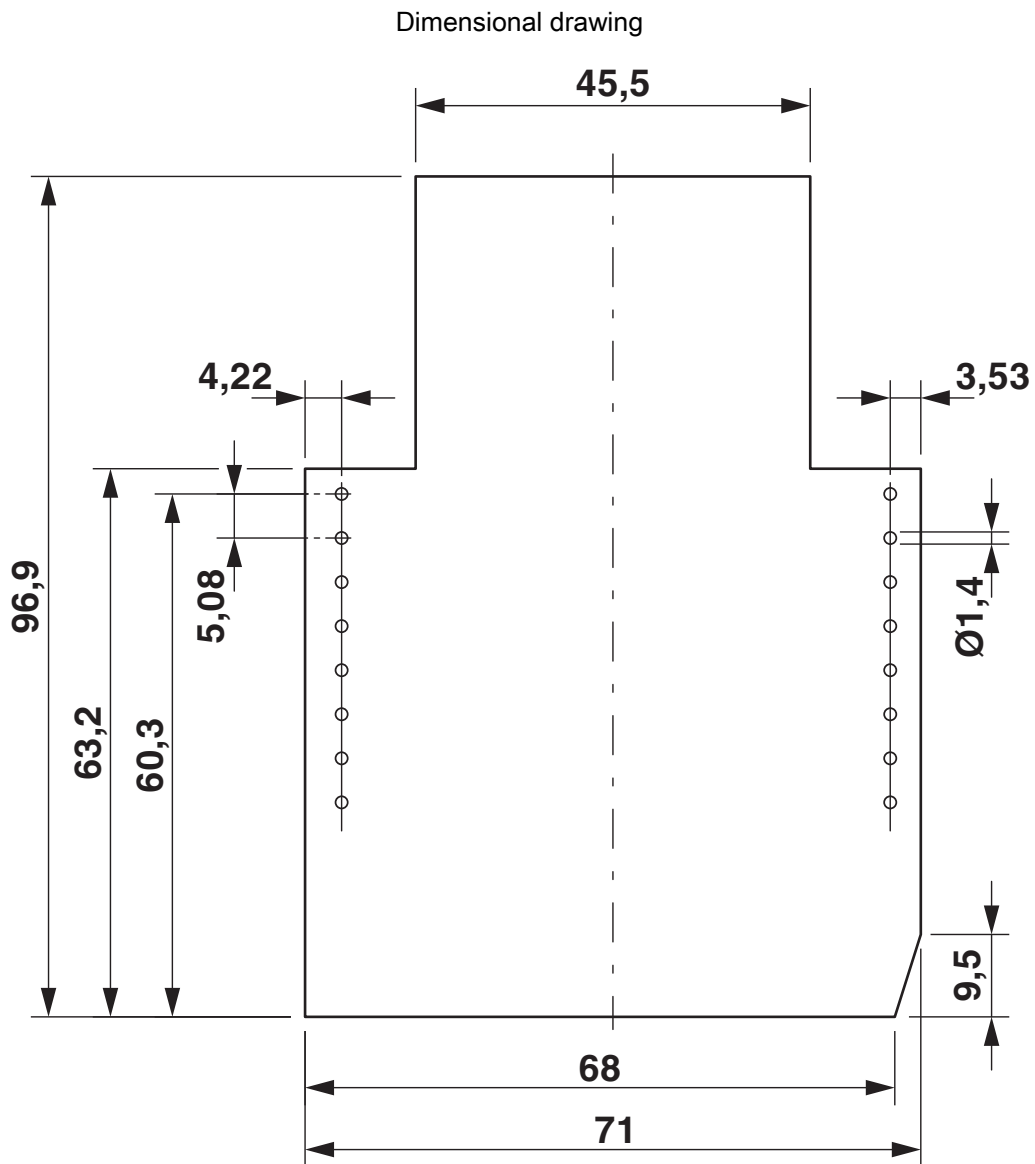


valid for PCB 1; 3; 5 and 6, see explosion drawing

EG 45-G/ABS GN - Mounting base housing

2764140

<https://www.phoenixcontact.com/in/products/2764140>



Component mounting side, if the double-level upper part is used

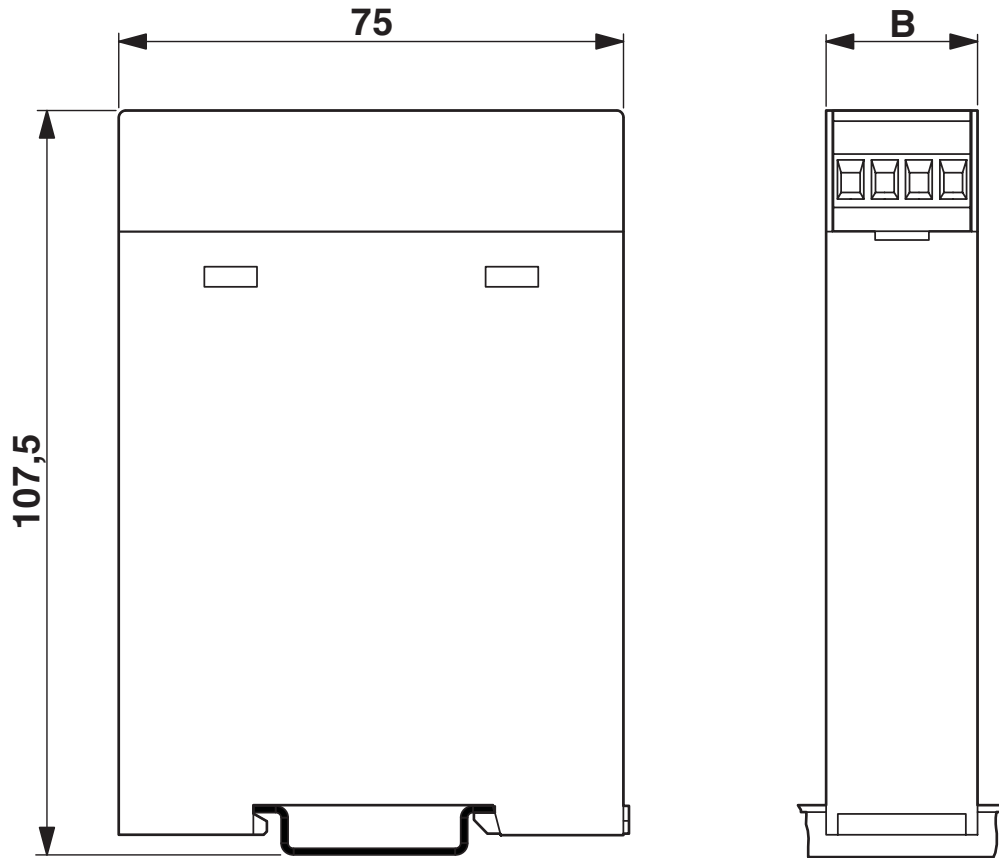
EG 45-G/ABS GN - Mounting base housing

2764140

<https://www.phoenixcontact.com/in/products/2764140>



Dimensional drawing



EG 45-G/ABS GN - Mounting base housing



2764140

<https://www.phoenixcontact.com/in/products/2764140>

Approvals



EAC

Approval ID: B.01687



UL Recognized

Approval ID: FILE E 240868

EG 45-G/ABS GN - Mounting base housing



2764140

<https://www.phoenixcontact.com/in/products/2764140>

Classifications

ECLASS

ECLASS-10.0.1	27182702
ECLASS-11.0	27182702

ETIM

ETIM 8.0	EC001031
----------	----------

UNSPSC

UNSPSC 21.0	31261500
-------------	----------

EG 45-G/ABS GN - Mounting base housing



2764140

<https://www.phoenixcontact.com/in/products/2764140>

Environmental Product Compliance

China RoHS	Environmentally friendly use period: unlimited = EFUP-e
	No hazardous substances above threshold values

EG 45-G/ABS GN - Mounting base housing

2764140

<https://www.phoenixcontact.com/in/products/2764140>

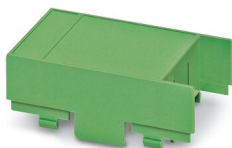
Mandatory Accessories

EG 45-AE/ABS GN - Upper part of housing

2764409

<https://www.phoenixcontact.com/in/products/2764409>

Component housing, Cover, for one-sided connection, width: 45 mm, height: 75 mm, color: green (6021)



EG 45-A/ABS GN - Upper part of housing

2764179

<https://www.phoenixcontact.com/in/products/2764179>

Component housing, Cover, for two-sided connection, width: 45 mm, height: 75 mm, color: green (6021)



EG 45-G/ABS GN - Mounting base housing

2764140

<https://www.phoenixcontact.com/in/products/2764140>

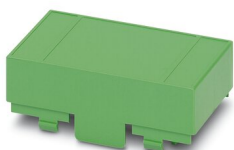


EG 45-AG/ABS GN - Upper part of housing

2907363

<https://www.phoenixcontact.com/in/products/2907363>

Component housing, Cover, closed, width: 45 mm, height: 75 mm, color: green (6021)



Accessories

CR-MSTB - Coding section

1734401

<https://www.phoenixcontact.com/in/products/1734401>

Coding section, inserted into the recess in the header or the inverted plug, red insulating material



EG 45-G/ABS GN - Mounting base housing

2764140

<https://www.phoenixcontact.com/in/products/2764140>

CP-MSTB - Coding profile

1734634

<https://www.phoenixcontact.com/in/products/1734634>

Coding profile, is inserted into the slot on the plug or inverted header, red insulating material



MSTBO 2,5/ 8-GL-5,08 - PCB header

1850495

<https://www.phoenixcontact.com/in/products/1850495>



PCB headers, nominal cross section: 2.5 mm², color: green, nominal current: 8 A, rated voltage (III/2): 320 V, contact surface: Tin, type of contact: Male connector, number of potentials: 8, number of rows: 1, number of positions: 8, number of connections: 8, product range: MSTBO 2,5/..-GL, pitch: 5.08 mm, mounting: Wave soldering, pin layout: Linear pinning, solder pin [P]: 3.2 mm, number of solder pins per potential: 1, plug-in system: COMBICON MSTB 2,5, locking: without, mounting: without, type of packaging: packed in cardboard

EG 45-G/ABS GN - Mounting base housing

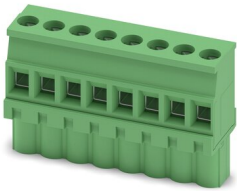
2764140

<https://www.phoenixcontact.com/in/products/2764140>

MVSTBW 2,5/ 8-ST - PCB connector

1792582

<https://www.phoenixcontact.com/in/products/1792582>

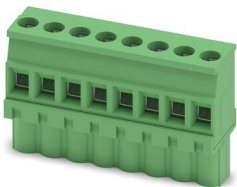


PCB connector, nominal cross section: 2.5 mm², color: green, nominal current: 12 A, rated voltage (III/2): 320 V, contact surface: Tin, type of contact: Female connector, number of potentials: 8, number of rows: 1, number of positions: 8, number of connections: 8, product range: MVSTBW 2,5/...-ST, pitch: 5 mm, connection method: Screw connection with tension sleeve, screw head form: L Slotted, conductor/PCB connection direction: -90 °, locking clip: - Locking clip, plug-in system: COMBICON MSTB 2,5, locking: without, mounting: without, type of packaging: packed in cardboard

MVSTBW 2,5/ 8-ST-5,08 - PCB connector

1792812

<https://www.phoenixcontact.com/in/products/1792812>



PCB connector, nominal cross section: 2.5 mm², color: green, nominal current: 12 A, rated voltage (III/2): 320 V, contact surface: Tin, type of contact: Female connector, number of potentials: 8, number of rows: 1, number of positions: 8, number of connections: 8, product range: MVSTBW 2,5/...-ST, pitch: 5.08 mm, connection method: Screw connection with tension sleeve, screw head form: L Slotted, conductor/PCB connection direction: -90 °, locking clip: - Locking clip, plug-in system: COMBICON MSTB 2,5, locking: without, mounting: without, type of packaging: packed in cardboard

EG 45-G/ABS GN - Mounting base housing

2764140

<https://www.phoenixcontact.com/in/products/2764140>

MVSTBW 2,5/ 8-STEH - PCB connector

1784309

<https://www.phoenixcontact.com/in/products/1784309>

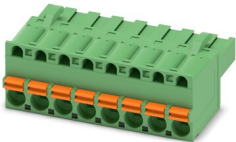


PCB connector, nominal cross section: 2.5 mm², color: green, nominal current: 12 A, rated voltage (III/2): 320 V, contact surface: Tin, type of contact: Female connector, number of potentials: 8, number of rows: 1, number of positions: 8, number of connections: 8, product range: MVSTBW 2,5/...-STEH, pitch: 5 mm, connection method: Screw connection with tension sleeve, screw head form: L Slotted, conductor/PCB connection direction: -90 °, locking clip: - Locking clip, plug-in system: COMBICON MSTB 2,5, locking: without, mounting: without, type of packaging: packed in cardboard

FKCT 2,5/ 8-ST - PCB connector

1909278

<https://www.phoenixcontact.com/in/products/1909278>



PCB connector, nominal cross section: 2.5 mm², color: green, nominal current: 12 A, rated voltage (III/2): 320 V, contact surface: Tin, type of contact: Female connector, number of potentials: 8, number of rows: 1, number of positions: 8, number of connections: 8, product range: FKCT 2,5/...-ST, pitch: 5 mm, connection method: Push-in spring connection, conductor/PCB connection direction: 0 °, locking clip: - Locking clip, plug-in system: COMBICON MSTB 2,5, locking: without, mounting: without, type of packaging: packed in cardboard

EG 45-G/ABS GN - Mounting base housing

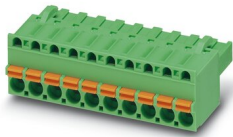
2764140

<https://www.phoenixcontact.com/in/products/2764140>

FKCT 2,5/ 8-ST-5,08 - PCB connector

1902178

<https://www.phoenixcontact.com/in/products/1902178>



PCB connector, nominal cross section: 2.5 mm², color: green, nominal current: 12 A, rated voltage (III/2): 320 V, contact surface: Tin, type of contact: Female connector, number of potentials: 8, number of rows: 1, number of positions: 8, number of connections: 8, product range: FKCT 2,5/...-ST, pitch: 5.08 mm, connection method: Push-in spring connection, conductor/PCB connection direction: 0 °, locking clip: - Locking clip, plug-in system: COMBICON MSTB 2,5, locking: without, mounting: without, type of packaging: packed in cardboard

MKKDSH 3/ 2 - PCB terminal block

1721045

<https://www.phoenixcontact.com/in/products/1721045>



PCB terminal block, nominal current: 24 A, rated voltage (III/2): 400 V, nominal cross section: 2.5 mm², number of potentials: 2, number of rows: 1, number of positions per row: 2, product range: MKKDSH 3, pitch: 5 mm, connection method: Screw connection with tension sleeve, screw head form: L Slotted, mounting: Wave soldering, conductor/PCB connection direction: 0 °, color: green, Pin layout: Linear pinning, Solder pin [P]: 5 mm, number of solder pins per potential: 1, type of packaging: packed in cardboard. The article can be aligned to create different nos. of positions!

EG 45-G/ABS GN - Mounting base housing



2764140

<https://www.phoenixcontact.com/in/products/2764140>

MKKDSH 3/ 3 - PCB terminal block

1721346

<https://www.phoenixcontact.com/in/products/1721346>



PCB terminal block, nominal current: 24 A, rated voltage (III/2): 400 V, nominal cross section: 2.5 mm², number of potentials: 3, number of rows: 1, number of positions per row: 3, product range: MKKDSH 3, pitch: 5 mm, connection method: Screw connection with tension sleeve, screw head form: L Slotted, mounting: Wave soldering, conductor/PCB connection direction: 0 °, color: green, Pin layout: Linear pinning, Solder pin [P]: 5 mm, number of solder pins per potential: 1, type of packaging: packed in cardboard. The article can be aligned to create different nos. of positions!

MKKDSH 3/ 8 - PCB terminal block

1703283

<https://www.phoenixcontact.com/in/products/1703283>



PCB terminal block, nominal current: 24 A, rated voltage (III/2): 400 V, nominal cross section: 2.5 mm², number of potentials: 8, number of rows: 1, number of positions per row: 8, product range: MKKDSH 3, pitch: 5 mm, connection method: Screw connection with tension sleeve, screw head form: L Slotted, mounting: Wave soldering, conductor/PCB connection direction: 0 °, color: green, Pin layout: Linear pinning, Solder pin [P]: 5 mm, number of solder pins per potential: 1, type of packaging: packed in cardboard. The article can be aligned to create different nos. of positions!

Phoenix Contact 2023 © - all rights reserved
<https://www.phoenixcontact.com>

PHOENIX CONTACT (I) Pvt. Ltd.
A-58/2, Okhla Industrial Area, Phase - II, New Delhi-110 020

+91.1275.71420
info@phoenixcontact.co.in