

# EH 22,5-C DS/ABS GY7035 - Upper part of housing



2201251

<https://www.phoenixcontact.com/in/products/2201251>

Please be informed that the data shown in this PDF document is generated from our Online Catalog. Please find the complete data in the user documentation. Our General Terms of Use for Downloads are valid.

DIN rail housing, Upper housing part, tall design, connection opening on both sides, width: 22.6 mm, height: 75.26 mm, depth: 36.95 mm, color: light grey (7035)



## Your advantages

- DIN rail or wall mounting for application-specific device attachment
- Easy design-in, thanks to variable housing form factor
- Complete flexibility, thanks to PCBs with horizontal, frontal, and orthogonal orientation to the front of the device
- Three cover versions for individual PCB connections
- Integration of a wide variety of PCB connection technologies for a functional device design

## Commercial Data

Item number	2201251
Packing unit	10 pc
Minimum order quantity	10 pc
Sales Key	ACH
Product Key	ACHCHC
GTIN	4046356749947
Weight per Piece (including packing)	11.62 g
Weight per Piece (excluding packing)	11.5 g
Customs tariff number	85389099
Country of origin	IN

## Technical Data

### Notes

Assembly instruction:	Refer to the data sheet for the range in the download area.
-----------------------	---

### Product properties

Product type	Upper housing part
Product family	EH...C DS
Max. number of positions	10 (pitch: 3.5 mm)
Type	Upper housing part, tall design, connection opening on both sides
Housing type	DIN rail housing
Ventilation openings present	no
Housing series	EH

### Material specifications

Color	light grey (7035)
Flammability rating according to UL 94	HB
Surface characteristics	untreated
Housing material	ABS

### Environmental and real-life conditions

#### Ambient conditions

Max. IP code to attain	IP20
Ambient temperature (operation)	-40 °C ... 80 °C (depending on power dissipation)
Ambient temperature (storage/transport)	-40 °C ... 55 °C
Ambient temperature (assembly)	-5 °C ... 80 °C
Relative humidity (storage/transport)	95 %

### PCB data

Type of PCB mount	Latching
-------------------	----------

### Mounting

Mounting type	Snap in
Mounting position	Vertical (horizontal DIN rail)

# EH 22,5-C DS/ABS GY7035 - Upper part of housing

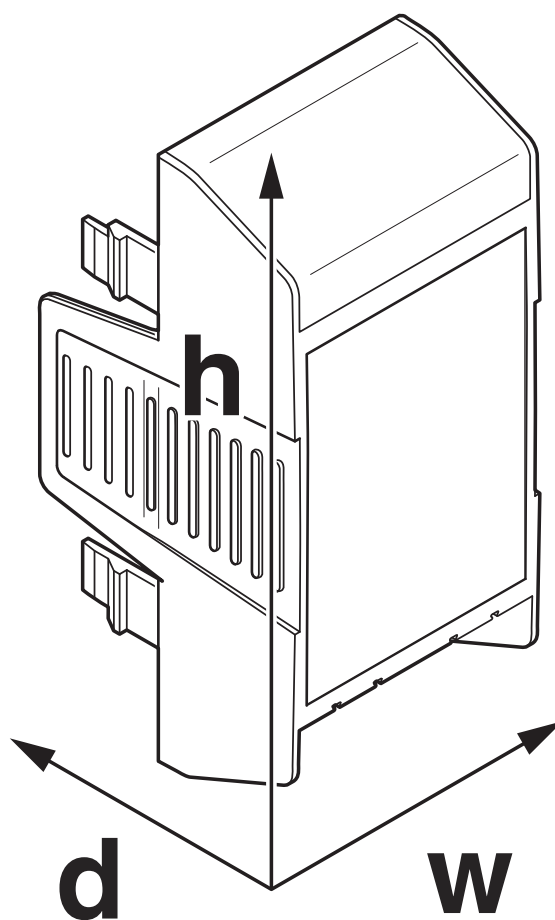
2201251

<https://www.phoenixcontact.com/in/products/2201251>



## Drawings

Dimensional drawing



Schematic figure for illustrating the item dimensions. The figure is not of the desired product. For further details, refer to the product drawings in the "Downloads" tab.

# EH 22,5-C DS/ABS GY7035 - Upper part of housing



2201251

<https://www.phoenixcontact.com/in/products/2201251>

## Approvals



**EAC**

Approval ID: B.01687



**UL Recognized**

Approval ID: FILE E 240868

# EH 22,5-C DS/ABS GY7035 - Upper part of housing



2201251

<https://www.phoenixcontact.com/in/products/2201251>

## Classifications

### ECLASS

ECLASS-10.0.1	27182702
ECLASS-11.0	27182702

### ETIM

ETIM 8.0	EC001031
----------	----------

### UNSPSC

UNSPSC 21.0	31261500
-------------	----------

# EH 22,5-C DS/ABS GY7035 - Upper part of housing



2201251

<https://www.phoenixcontact.com/in/products/2201251>

## Environmental Product Compliance

China RoHS	Environmentally friendly use period: unlimited = EFUP-e
	No hazardous substances above threshold values

2201251

<https://www.phoenixcontact.com/in/products/2201251>

## Mandatory Accessories

### MKDS 3/ 4-5,08 - PCB terminal block

1712805

<https://www.phoenixcontact.com/in/products/1712805>



PCB terminal block, nominal current: 24 A, rated voltage (III/2): 400 V, nominal cross section: 2.5 mm<sup>2</sup>, number of potentials: 4, number of rows: 1, number of positions per row: 4, product range: MKDS 3, pitch: 5.08 mm, connection method: Screw connection with tension sleeve, screw head form: L Slotted, mounting: Wave soldering, conductor/PCB connection direction: 0 °, color: green, Pin layout: Linear pinning, Solder pin [P]: 5 mm, number of solder pins per potential: 1, type of packaging: packed in cardboard. The article can be aligned to create different nos. of positions!

---

### MKKDSH 3/ 2 - PCB terminal block

1721045

<https://www.phoenixcontact.com/in/products/1721045>



PCB terminal block, nominal current: 24 A, rated voltage (III/2): 400 V, nominal cross section: 2.5 mm<sup>2</sup>, number of potentials: 2, number of rows: 1, number of positions per row: 2, product range: MKKDSH 3, pitch: 5 mm, connection method: Screw connection with tension sleeve, screw head form: L Slotted, mounting: Wave soldering, conductor/PCB connection direction: 0 °, color: green, Pin layout: Linear pinning, Solder pin [P]: 5 mm, number of solder pins per potential: 1, type of packaging: packed in cardboard. The article can be aligned to create different nos. of positions!

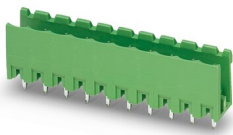
2201251

<https://www.phoenixcontact.com/in/products/2201251>

## MSTBV 2,5/ 4-G - PCB header

1753479

<https://www.phoenixcontact.com/in/products/1753479>



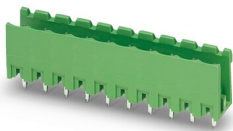
PCB headers, nominal cross section: 2.5 mm<sup>2</sup>, color: green, nominal current: 12 A, rated voltage (III/2): 320 V, contact surface: Tin, type of contact: Male connector, number of potentials: 4, number of rows: 1, number of positions: 4, number of connections: 4, product range: MSTBV 2,5/..-G, pitch: 5 mm, mounting: Wave soldering, pin layout: Linear pinning, solder pin [P]: 3.9 mm, number of solder pins per potential: 1, plug-in system: COMBICON MSTB 2,5, Pin connector pattern alignment: Standard, locking: without, mounting: without, type of packaging: packed in cardboard

---

## MSTBV 2,5/ 4-G-5,08 - PCB header

1758034

<https://www.phoenixcontact.com/in/products/1758034>



PCB headers, nominal cross section: 2.5 mm<sup>2</sup>, color: green, nominal current: 12 A, rated voltage (III/2): 320 V, contact surface: Tin, type of contact: Male connector, number of potentials: 4, number of rows: 1, number of positions: 4, number of connections: 4, product range: MSTBV 2,5/..-G, pitch: 5.08 mm, mounting: Wave soldering, pin layout: Linear pinning, solder pin [P]: 3.9 mm, number of solder pins per potential: 1, plug-in system: COMBICON MSTB 2,5, Pin connector pattern alignment: Standard, locking: without, mounting: without, type of packaging: packed in cardboard



# EH 22,5-C DS/ABS GY7035 - Upper part of housing

2201251

<https://www.phoenixcontact.com/in/products/2201251>

## MSTBO 2,5/ 4-GL-5,08 - PCB header

1850453

<https://www.phoenixcontact.com/in/products/1850453>



PCB headers, nominal cross section: 2.5 mm<sup>2</sup>, color: green, nominal current: 8 A, rated voltage (III/2): 320 V, contact surface: Tin, type of contact: Male connector, number of potentials: 4, number of rows: 1, number of positions: 4, number of connections: 4, product range: MSTBO 2,5/..-GL, pitch: 5.08 mm, mounting: Wave soldering, pin layout: Linear pinning, solder pin [P]: 3.2 mm, number of solder pins per potential: 1, plug-in system: COMBICON MSTB 2,5, locking: without, mounting: without, type of packaging: packed in cardboard

---

## MSTBO 2,5/ 4-GR-5,08 - PCB header

1847123

<https://www.phoenixcontact.com/in/products/1847123>



PCB headers, nominal cross section: 2.5 mm<sup>2</sup>, color: green, nominal current: 8 A, rated voltage (III/2): 320 V, contact surface: Tin, type of contact: Male connector, number of potentials: 4, number of rows: 1, number of positions: 4, number of connections: 4, product range: MSTBO 2,5/..-GR, pitch: 5.08 mm, mounting: Wave soldering, pin layout: Linear pinning, solder pin [P]: 3.2 mm, number of solder pins per potential: 1, plug-in system: COMBICON MSTB 2,5, locking: without, mounting: without, type of packaging: packed in cardboard

# EH 22,5-C DS/ABS GY7035 - Upper part of housing

2201251

<https://www.phoenixcontact.com/in/products/2201251>

## MCO-EH 1,5/5 G1L-3,5 GY7035 - PCB header

2202330

<https://www.phoenixcontact.com/in/products/2202330>



PCB headers, nominal cross section: 1.5 mm<sup>2</sup>, color: light grey, nominal current: 8 A, rated voltage (III/2): 160 V, contact surface: Tin, type of contact: Male connector, number of potentials: 5, number of rows: 1, number of positions: 5, number of connections: 5, product range: MCO 1,5/..-G1L, pitch: 3.5 mm, mounting: Wave soldering, pin layout: Linear pinning, solder pin [P]: 2 mm, locking: without, type of packaging: packed in cardboard, Product with pin output on left side

## MCO-EH 1,5/5 G1R-3,5 GY7035 - PCB header

2202331

<https://www.phoenixcontact.com/in/products/2202331>



PCB headers, nominal cross section: 1.5 mm<sup>2</sup>, color: light grey, nominal current: 8 A, rated voltage (III/2): 160 V, contact surface: Tin, type of contact: Male connector, number of potentials: 5, number of rows: 1, number of positions: 5, number of connections: 5, product range: MCO-EH 1,5/..-G1R, pitch: 3.5 mm, mounting: Wave soldering, pin layout: Linear pinning, solder pin [P]: 2 mm, locking: without, type of packaging: packed in cardboard, Product with pin output on right side

## Accessories

## EH 22,5-C DS/ABS GY7035 - Upper part of housing

2201251

<https://www.phoenixcontact.com/in/products/2201251>



## EH 22,5-FP/ABS BK9005 - Filler plugs

2201842

<https://www.phoenixcontact.com/in/products/2201842>



DIN rail housing, Filler plug for unoccupied terminal points (tall design), width: 21.35 mm, height: 19.65 mm, depth: 13.67 mm, color: black (9005)

---

## EH 22,5-FP/ABS GY7035 - Filler plugs

2201843

<https://www.phoenixcontact.com/in/products/2201843>



DIN rail housing, Filler plug for unoccupied terminal points (tall design), width: 21.35 mm, height: 19.65 mm, depth: 13.67 mm, color: light grey (7035)

# EH 22,5-C DS/ABS GY7035 - Upper part of housing



2201251

<https://www.phoenixcontact.com/in/products/2201251>

## HS LC-H-D3/ R1XC1 - Fiber optic

2202313

<https://www.phoenixcontact.com/in/products/2202313>

Multiple light guides, passive, rigid, can be used for the ME, ME-MAX, ME-IO, ME PLC, and EH housing ranges (housing must be processed)



---

## HS LC-H-5X2/ R1XC1 - Fiber optic

2202314

<https://www.phoenixcontact.com/in/products/2202314>

Single light guide, passive, rigid, can be used for the ME, ME-MAX, ME-IO, ME PLC, and EH housing ranges (housing must be processed)



## EH 22,5-C DS/ABS GY7035 - Upper part of housing

2201251

<https://www.phoenixcontact.com/in/products/2201251>



### HS LC-H-D3/ R2XC1-5,08 - Fiber optic

2202315

<https://www.phoenixcontact.com/in/products/2202315>

Multiple light guides, passive, rigid, can be used for the ME, ME-MAX, ME-IO, ME PLC, and EH housing ranges (housing must be processed)



---

### HS LC-H-D2C/ R2XC1-2,54 - Fiber optic

1036658

<https://www.phoenixcontact.com/in/products/1036658>

Multiple light guides with glare protection, passive, rigid, can be used for the ME, ME-MAX, ME-IO, ME PLC, and EH housing ranges (housing must be processed)



# EH 22,5-C DS/ABS GY7035 - Upper part of housing

2201251

<https://www.phoenixcontact.com/in/products/2201251>

## HS LC-H-D2C/ R2XC2-2,54 - Fiber optic

1043044

<https://www.phoenixcontact.com/in/products/1043044>



Multiple light guides with glare protection, passive, rigid, can be used for the ME, ME-MAX, ME-IO, ME PLC, and EH housing ranges (housing must be processed)

---

## HS LC-H-D2C/ R2XC5-2,54 - Fiber optic

1071310

<https://www.phoenixcontact.com/in/products/1071310>



Multiple light guides with glare protection, passive, rigid, can be used for the ME, ME-MAX, ME-IO, ME PLC, and EH housing ranges (housing must be processed)

# EH 22,5-C DS/ABS GY7035 - Upper part of housing

2201251

<https://www.phoenixcontact.com/in/products/2201251>

## HS LC-H-D2C/ R2XC10-2,54 - Fiber optic

1071314

<https://www.phoenixcontact.com/in/products/1071314>

Multiple light guides with glare protection, passive, rigid, can be used for the ME, ME-MAX, ME-IO, ME PLC, and EH housing ranges (housing must be processed)



---

## HS LC-H-D2C/ R4XC2-2,54 - Fiber optic

1071316

<https://www.phoenixcontact.com/in/products/1071316>

Multiple light guides with glare protection, passive, rigid, can be used for the ME, ME-MAX, ME-IO, ME PLC, and EH housing ranges (housing must be processed)



# EH 22,5-C DS/ABS GY7035 - Upper part of housing

2201251

<https://www.phoenixcontact.com/in/products/2201251>

## HS LC-H-D2C/ R4XC5-2,54 - Fiber optic

1071318

<https://www.phoenixcontact.com/in/products/1071318>



Multiple light guides with glare protection, passive, rigid, can be used for the ME, ME-MAX, ME-IO, ME PLC, and EH housing ranges (housing must be processed)

---

## HS LC-H-D2C/ R4XC9-2,54 - Fiber optic

1071321

<https://www.phoenixcontact.com/in/products/1071321>



Multiple light guides with glare protection, passive, rigid, can be used for the ME, ME-MAX, ME-IO, ME PLC, and EH housing ranges (housing must be processed)



# EH 22,5-C DS/ABS GY7035 - Upper part of housing



2201251

<https://www.phoenixcontact.com/in/products/2201251>

## HS LC-H-D2C/ R4XC10-2,54 - Fiber optic

1071329

<https://www.phoenixcontact.com/in/products/1071329>

Multiple light guides with glare protection, passive, rigid, can be used for the ME, ME-MAX, ME-IO, ME PLC, and EH housing ranges (housing must be processed)



---

Phoenix Contact 2023 © - all rights reserved

<https://www.phoenixcontact.com>

PHOENIX CONTACT (I) Pvt. Ltd.

A-58/2, Okhla Industrial Area, Phase - II, New Delhi-110 020

+91.1275.71420

[info@phoenixcontact.co.in](mailto:info@phoenixcontact.co.in)