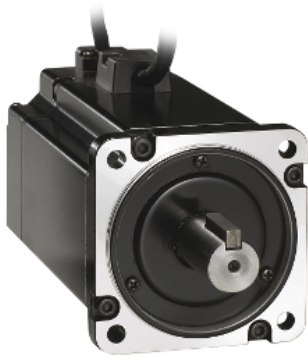


Product datasheet

Specifications



servo motor BCH, no oil seal, w key,
20-bit encoder, w/o brake-straight
con

BCH0802O12A1C

! To be discontinued on: 31 December 2023

! To be end-of-service on: 31 December 2023

! Discontinued - Service only

Main

Range compatibility	Lexium 23 Plus
Product or component type	Servo motor
Device short name	BCH

Complementary

Maximum mechanical speed	5000 rpm
[Us] rated supply voltage	220 V
Network number of phases	Single phase
Continuous stall current	5.1 A
Continuous power	0.75 kW
Shaft end	Keyed
Second shaft	Without second shaft end
Shaft diameter	19 mm
Shaft length	37 mm
Key width	6 mm
Feedback type	20 bits incremental encoder
Holding brake	Without
Mounting support	Asian standard flange
Motor flange size	80 mm
Torque constant	0.47 N.m/A
Back emf constant	17.2 V/krpm at 20 °C
Rotor inertia	1.13 kg.cm ²
Stator resistance	0.84 Ohm at 20 °C
Stator inductance	7.06 mH at 20 °C
Stator electrical time constant	8.37 ms at 20 °C
Maximum radial force Fr	245 N
Maximum axial force Fa	98 N
Brake pull-in power	8.2 W

Type of cooling	Natural convection
Length	138.3 mm
Number of motor stacks	2
Centring collar diameter	70 mm
Centring collar depth	3 mm
Number of mounting holes	4
Mounting holes diameter	6.6 mm
Circle diameter of the mounting holes	90 mm
Distance shaft shoulder-flange	29.5 mm
Net weight	3 kg

Environment

IP degree of protection	IP40
Ambient air temperature for operation	0...40 °C

Packing Units

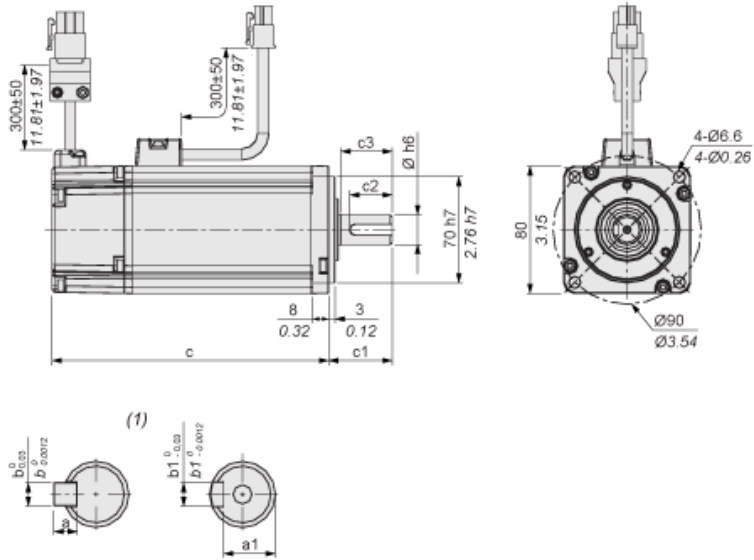
Unit Type of Package 1	PCE
Number of Units in Package 1	1
Package 1 Height	18.6 cm
Package 1 Width	14.2 cm
Package 1 Length	25.7 cm
Package 1 Weight	3.286 kg
Unit Type of Package 2	S06
Number of Units in Package 2	30
Package 2 Height	73.5 cm
Package 2 Width	60.0 cm
Package 2 Length	80.0 cm
Package 2 Weight	111.58 kg

Contractual warranty

Warranty	18 months
----------	-----------

Dimensions

mm
in.



(1) Shaft end, keyed slot (optional)

Dimensions in mm

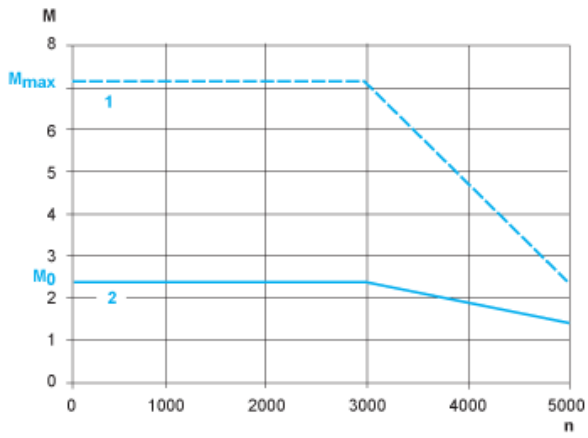
Ø	a	a1	b	b1	c (without holding brake)	c (with holding brake)	c1	c2	c3
19	6	15.5	6	6	130.7	166.8	35	25	29.5

Dimensions in in.

Ø	a	a1	b	b1	c (without holding brake)	c (with holding brake)	c1	c2	c3
0.75	0.24	0.61	0.24	0.24	5.14	6.57	1.38	0.98	1.16

Torque/Speed Curves with 220 V Single Phase Supply Voltage

Servo Motor with LXM23•U07M3X Servo Drive



- M : Torque in Nm
- n : Speed in rpm
- 1 : Peak torque
- 2 : Continuous torque

Recommended replacement(s)