

Product data sheet

Specifications



regulated SMPS, single phase,
100..240 V input, 24 V output, 150
W

ABL1RPM24062

! Discontinued on: 20 December 2020

! End-of-service on: 06 January 2021

! Discontinued

Main

| | |
|-----------------------------|--|
| Range of product | Phaseo Dedicated |
| Product or component type | Power supply |
| Power supply type | Regulated switch mode |
| Rated power in W | 150 W |
| Main Input Voltage | 100...120 V AC single phase 200...240 V AC single phase 180...370 V DC |
| Output voltage | 24 V DC |
| Power supply output current | 6.2 A |
| Operating position | Any position |
| Vibration resistance | 2 gn (f= 9...150 Hz) conforming to EN/IEC 61131-2 3.5 mm (f= 5...9 Hz) conforming to EN/IEC 61131-2 |
| Name of test | Conducted interference conforming to EN 61000-4-8 level 4 Electrostatic discharges conforming to EN/IEC 61000-4-2 level 3 Induced electromagnetic field conforming to EN/IEC 61000-4-6 level 3 Radiated electromagnetic field conforming to EN/IEC 61000-4-3 level 3 Rapid transient conforming to IEC 61000-4-4 level 3 Conducted/radiated emissions conforming to EN 55022 class B Conducted/radiated emissions conforming to EN/IEC 55011 Emission conforming to EN/IEC 61000-6-3 Primary outage conforming to IEC 61000-4-11 Surge conforming to EN/IEC 61000-4-5 |

Complementary

| | |
|------------------------|---------------------------------------|
| Input voltage limits | 85...132 V 170...264 V |
| Network frequency | 47...63 Hz |
| Inrush current | 50 A at 115 V AC 100 A at 230 V AC |
| Cos phi | 0.7...0.95 |
| Efficiency | 80 % |
| Power dissipation in W | 37.5 W |
| Current consumption | 5 A at 100 V 2.5 A at 240 V |
| Input protection type | Integrated fuse (not interchangeable) |
| Output voltage limits | 21.6...26.4 V |

| | |
|--|---|
| Line and load regulation | +/- 3 % |
| Holding time | >= 10 ms at 100 V >= 40 ms at 240 V |
| Output protection type | Against overload, protection technology: 1.1...1.5 x In Against overvoltage, protection technology: tripping if U > 1.25 x Un Against short-circuits, protection technology: automatic reset Thermal |
| Connections - terminals | For ground connection: screw type terminals, connection capacity: 1 x 4 mm ² AWG 12 For input connection: screw type terminals, connection capacity: 2 x 4 mm ² AWG 12 For output connection: screw type terminals, connection capacity: 4 x 4 mm ² AWG 12 |
| Marking | CE |
| Mounting support | Reversible mounting bracket Panel |
| Operating altitude | 2000 m |
| Output coupling | Series Parallel |
| Overvoltage category | II |
| Meantime between failure [MTBF] | 100000 h at 40 °C |
| Status LED | 1 LED (green) output voltage |
| Net weight | 0.97 kg |

Environment

| | |
|--|--|
| Product certifications | EAC KC CSA 22-2 No 60950-1 RCM TUV 60950-1 UL 508 cCSAus |
| Environmental characteristic | EMC conforming to EN 50081-1 EMC conforming to EN 50082-2 EMC conforming to EN 61000-6-3 EMC conforming to EN/IEC 61000-6-2 Safety conforming to EN/IEC 60950-1 Safety conforming to SELV Low frequency harmonic currents conforming to EN/IEC 61000-3-2 |
| IP degree of protection | IP20 conforming to EN/IEC 60950 |
| Ambient air temperature for operation | 0...45 °C (without derating) 45...60 °C (with derating factor) |
| Ambient air temperature for storage | -25...85 °C |
| Relative humidity | 20...90 % Class I conforming to VDE 0106-1 |
| Pollution degree | 2 |
| Dielectric strength | 1500 V between input and ground 3000 V between input and output 500 V between output and ground |

Packing Units

| | |
|-------------------------------------|----------|
| Unit Type of Package 1 | PCE |
| Number of Units in Package 1 | 1 |
| Package 1 Height | 6.6 cm |
| Package 1 Width | 23.5 cm |
| Package 1 Length | 11.8 cm |
| Package 1 Weight | 1.128 kg |

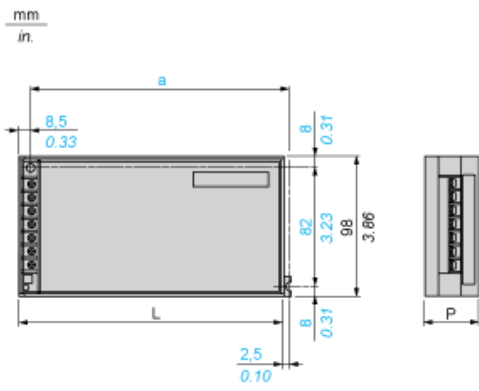
Offer Sustainability

| | |
|----------------------------|---|
| Sustainable offer status | Green Premium product |
| REACH Regulation | REACH Declaration |
| EU RoHS Directive | Pro-active compliance (Product out of EU RoHS legal scope) EU RoHS Declaration |
| Mercury free | Yes |
| China RoHS Regulation | China RoHS declaration |
| RoHS exemption information | Yes |
| Environmental Disclosure | Product Environmental Profile |
| Circularity Profile | End of Life Information |
| PVC free | Yes |
| California proposition 65 | WARNING: This product can expose you to chemicals including: Lead and lead compounds, which is known to the State of California to cause cancer and birth defects or other reproductive harm. For more information go to www.P65Warnings.ca.gov |

Contractual warranty

| | |
|----------|-----------|
| Warranty | 18 months |
|----------|-----------|

Dimensions



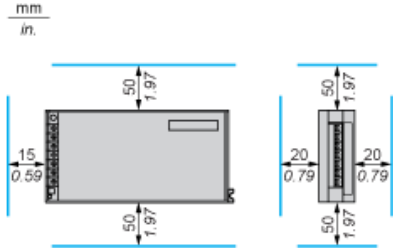
Dimensions in mm

| a | L | P |
|-----|-----|----|
| 194 | 200 | 50 |

Dimensions in in.

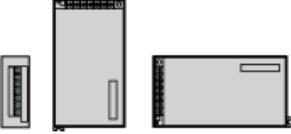
| a | L | P |
|------|------|------|
| 7.64 | 7.87 | 1.97 |

Clearance



Mounting Way

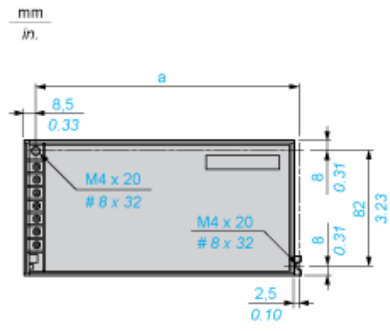
Mounting on Vertical Plane



Mounting on Horizontal Plane



Direct Mounting by 2 M4 x 20 Screws



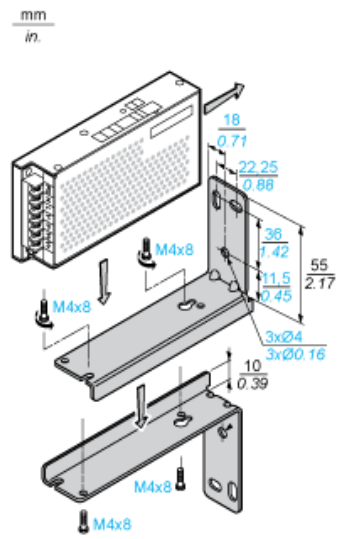
Dimensions in mm

| |
|-----|
| a |
| 194 |

Dimensions in in

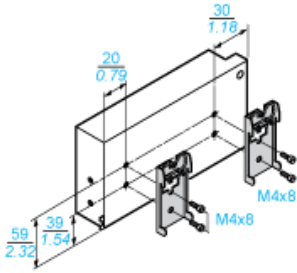
| |
|------|
| a |
| 7.64 |

Mounting on the Back on ABL 1A01 Reversible Bracket by Three 4 mm Diameter Screws

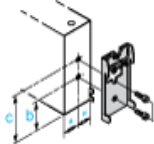


Mounting on ABL 1A02 Clip-on Mounting on 35 mm Rail

mm
in.



Mounting by the Back



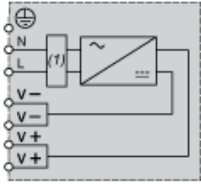
Dimensions in mm

| b | c |
|----|----|
| 28 | 48 |

Dimensions in in.

| b | c |
|------|------|
| 1.10 | 1.89 |

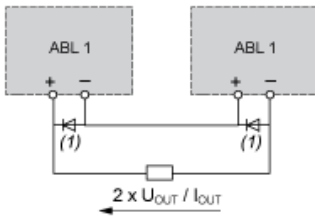
Internal Wiring Diagram



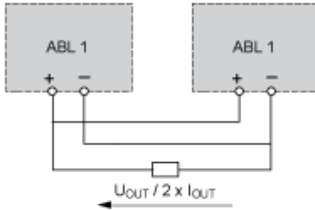
(1) Filter

Series or Parallel Connection

Series Connection



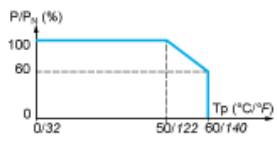
Parallel Connection



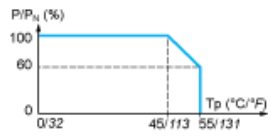
(1) 15 A/100 V Schottky diode

Derating Curves

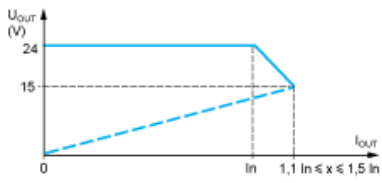
Mounting on Vertical Plane



Mounting on Horizontal Plane



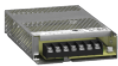
Load Limits Curve



Recommended replacement(s)

ABL1RPM24062 is replaced by:

1x



Regulated Power Supply, 100...240V AC, 24V 6.2A, single phase, Panel Mount
ABLP1A24062
