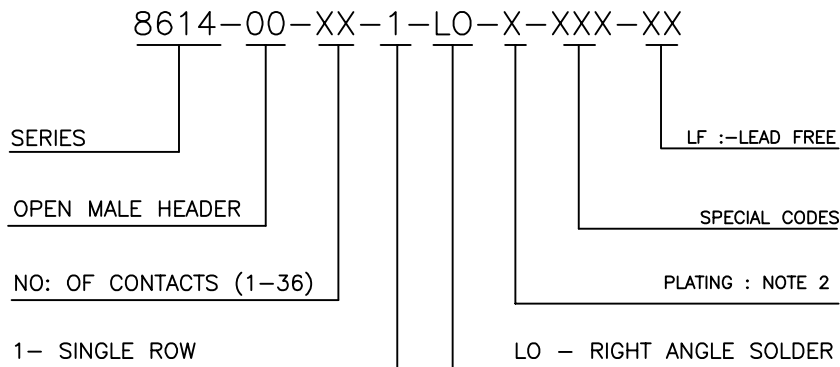


ORDERING INFORMATION



Notes:

- 1, THE PRODUCT LF MEETS EUROPEAN UNION DIRECTIVES AND OTHER COUNTRY REGULATIONS AS DESCRIBED IN GS-22-008
2. FOR PLATING DETAILS AND TECHNICAL SPECIFICATION REFER DRAWING C-8614-0000

mat'l. code NOTE 2				surface ISO 1302 ✓		tolerance ISO 406 ISO 1101		projection 		product family 8614			
ltr	ecn no	dr	date	tolerances unless otherwise specified				MM ← →		title OPEN HEADER (SINGLE ROW RIGHT ANGLE SOLDER)			
B	I06-0116	AB	2006-07-13	angles		.0±0.2							
C	I08-0006	MINI	2008-01-17	linear		.00±0.1		scale -		dwg no C-8614-0088 sheet 1 of 1 size A4			
D	I10-0093	GT	2010-04-13	0°±1°									
E	I10-00136	GT	2010-06-23	dr	MINI K VANDANATH	1998-12-06				type Product Customer Drawing			
				engr	JAI.K.A	1998-12-06							
				chr	ALEX BABU	2008-01-17							
				appd	BIJU K PAUL	2008-01-17							
sheet index	revision	E											
	sheet	1											



FCIconnect.com

Copyright FCI