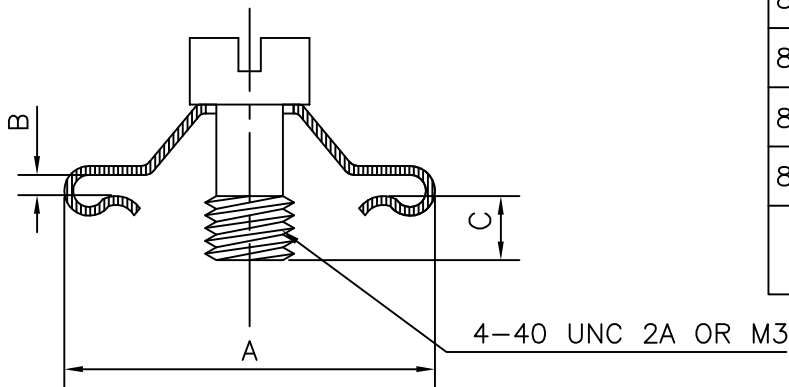


**MALE SCREW LOCK**



8630-15LF	17 Max	1.40 <sup>+0.3</sup>	4.0 Max
8630-08LF	14.5 Max	1.40 <sup>+0.3</sup>	3.4 Max
8630-05LF	14.5 Max	1.10 <sup>+0.3</sup>	4.0 Max
8630-04LF	14.5 Max	1.70 <sup>+0.3</sup>	4.0 Max
8630-03LF	17.0 Max	1.1 <sup>+0.3</sup>	4.0 Max
PART NO:	A	B	C
DIMENSIONS			

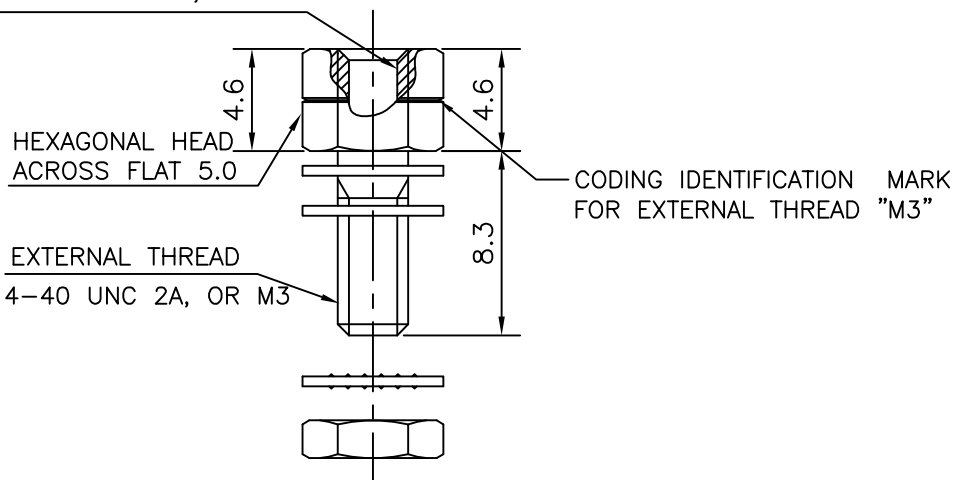
MATERIAL  
CLAMP: STEEL  
SCREW: STEEL

**NOTE:**

1. FOR 4-40 UNC 2A THREAD PLEASE ADD SUFFIX 'N' TO THE CORRESPONDING PART NO. BEFORE 'LF' MARKING

**FEMALE SCREW LOCK**

INTERNAL THREAD  
4-40 UNC 2A, OR M3



8630-01ALF	ASSEMBLED FEMALE SCREW LOCK WITH M3 EXT & UNC INT THREAD
8630-01BLF	ASSEMBLED FEMALE SCREW LOCK WITH UNC INT & EXT THREAD
PART NO:	DESCRIPTION

MATERIAL  
FEMALE SCREW: BRASS  
NUT: STEEL  
WASHERS: STEEL

**GENERAL NOTE:**

LF PART NOS FOR RoHS PRODUCTS  
"This LF product meets European Union Directives and other country regulations as described in GS-47-0004"  
Packaging as per GS-14-920

PLATING  
FOR LF : ZINC TRIVALENT CHROMATE

mat'l. code				surface ISO 1302 ✓	tolerance ISO 406 ISO 1101	projection 	product family D-SUB				
ltr	ecn no	dr	date	tolerances unless otherwise specified		mm ←→	title MALE & FEMALE SCREW LOCK				
G	ELX-I-31735	GM	2018-10-26	angles	.0±.0.3		dwg no C-DSUB-0124				
				linear	.00±.0x						sheet 1 of 1 size A4
				0°±1°	.000±.00x	scale NTS	type Product Customer Drawing				
				dr	MINI K VANDANATH	2001-08-13					<b>Amphenol FCI</b>
				enr	MITHUN PAUL	2001-08-13					
				chr	GREGAR M	2018-10-26					
				appd	BIJU K PAUL	2018-10-26					
sheet index	revision sheet	G	1								