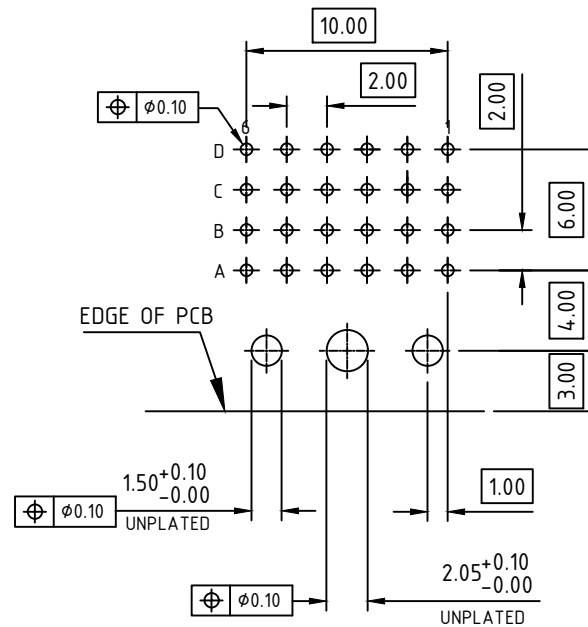
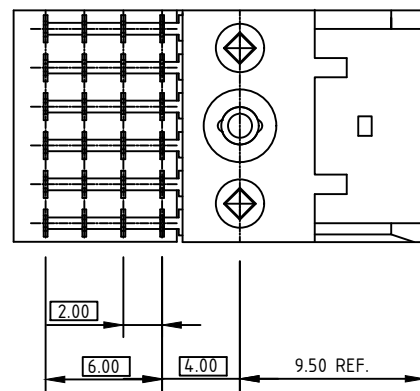
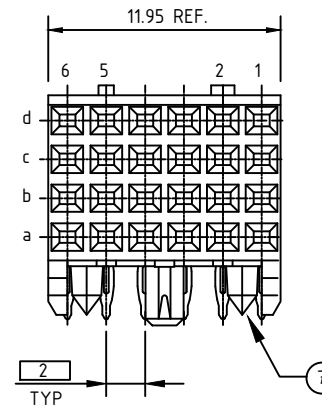
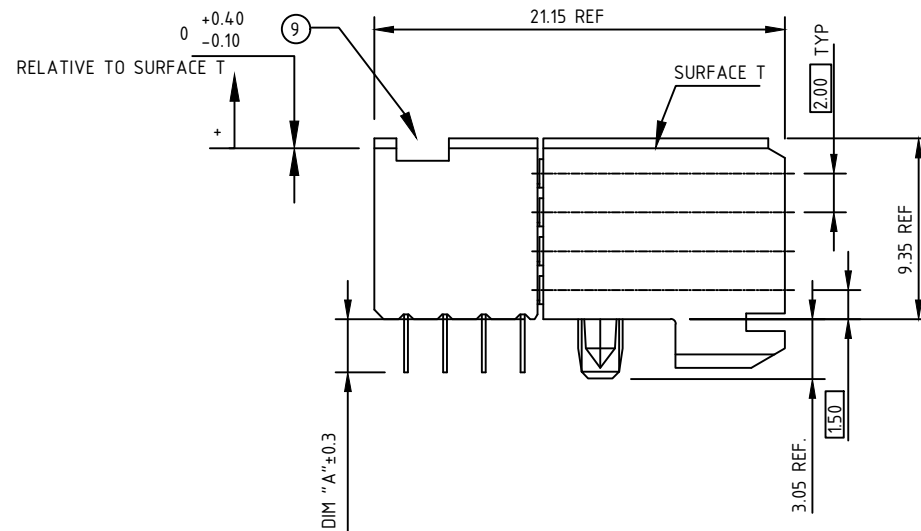


PRODUCT NUMBER	TAIL LGTH. DIM "A"	PCB THICKNESS±0.20
88945-X02LF	2.90	1.6
88945-X12LF	3.53	2.4

X DENOTES PLATING CODE

PLATING CODE	PERFORMANCE LEVEL
88945-1YYLF	IEC PERFORMANCE LEVEL 1 (250 Mating cycles) /
88945-2LYYLF (NOTE-5)	TELCORDIA CO (200 MATING CYCLE)
88945-EYYLF (NOTE-4)	TELCORDIA UE (HIGH PERFORMANCE FOR AEROSPACE APPLICATION)
88945-3YYLF (NOTE-4)	TELCORDIA UE (200 MATING CYCLES)



PRODUCT NO	ROW	6	5	4	3	2	1
88945-X03LF	D	1	0	1	1	1	1
	C	1	0	1	1	1	1
	B	0	0	1	1	0	0
	A	1	0	1	1	0	1
88945-X13LF	D	2	0	2	2	2	2
	C	2	0	2	2	2	2
	B	0	0	2	2	0	0
	A	2	0	2	2	0	2
88945-X04LF	D	1	0	1	0	1	0
	C	0	1	0	1	0	1
	B	1	0	1	0	1	0
	A	0	1	0	1	0	1
88945-X14LF	D	2	0	2	0	2	0
	C	0	2	0	2	0	2
	B	2	0	2	0	2	0
	A	0	2	0	2	0	2

KEY		
DIMENSIONS		
CODE	DIM "A"	PCB THICKNESS±0.20
1	2.90	1.6
2	3.53	2.4
0	NOT LOADED	-

NOTES :

- EXTENSIONS CAN BE ADDED TO THE PART NUMBER LOGIC IF LUBRICATED CONTACTS ARE REQUIRED
e.g. 88945-XXX_LLF L DENOTES LUBRICATED
- PLATING AT TERMINAL AREA : Sn MATT FINISH PLATING (LF)
- PLATING ON CONTACT AREA MEETS THE PERFORMANCE LEVELS SHOWN IN TABLE ON THIS SHEET .
PRECIOUS METAL PLATING MAY BE EITHER GOLD OR PALLADIUM NICKEL
- SPECIAL PLATING CODE IS GOLD OVER NICKEL PLATING FOR INCREASED RESISTANCE TO FRETTING CORROSION UNDER HIGH VIBRATION APPLICATION.
- PLATING CODE - 2L : GXT PLUS - ADDITIONAL HIGH PERFORMANCE LUBE OVER GXT PLATING.
- CONNECTOR MATERIALS:
HOUSING : THERMOPLASTIC UL 94-V0
CONTACT : COPPER ALLOY
- PRODUCT SPECIFICATION : GS-12-002
- APPLICATION SPECIFICATIONS : BUS-20-061, GS-20-001 & TA-941
- TOP SURFACE OF PRESS BLOCK MAY EXTEND UP TO 0.4MM HIGHER THAN HOUSING. THIS MAY AFFECT THE TAIL LENGTH BEFORE APPLICATION TO A BOARD.
- THESE PRODUCTS WHERE THE PART NUMBER ENDS IN "LF" MEET THE EUROPEAN UNION DIRECTIVES AND OTHER COUNTRY REGULATIONS AS DESCRIBED IN GS-47-0004.
- THIS PRODUCTS WILL WITHSTAND EXPOSURE TO 240°C FOR 60 SECONDS IN A CONVECTION, INFAR-RED OR VAPOR PHASE REFLOW OVEN.
- FOR RECOMMENDED PTH DIMENSIONS REFER DRAWING NO : 58351.
- A SYMBOL WILL BE NEXT TO ANY DIMENSION, VIEW OR NOTE WHICH HAS BEEN MODIFIED WITH CURRENT DRAWING REVISION

PCB LAYOUT - COMPONENT SIDE.

mat'l. code				surface		tolerance		projection		product family	
lfr	ecn no	dr	date	ISO 1302	ISO 406	ISO 1101	mm		METRAL		
K	DG07-0170	Cenh	2007-05-22	tolerances unless otherwise specified	.X±0.3		mm		B SERIES RA SIGNAL REC.ASSY		
L	DG08-0171	TER	2008-09-12	angles	.XX±0.10		mm		4 ROW, 1 MOD, PF		
M	DG09-0068	Cenh	2009-03-03	linear	.XXX±0.050		mm		sheet 1 of 1		
N	DG10-0155	Cenh	2010-04-22	dr	S.STONER	1992-10-29	mm		88945		
P	DG-012013-1	QinDF	2012-06-25	engr	RAHUL	2021-04-28	mm		A3		
R	ELX-I-38045	ARUN	2020-08-17	chr	ALEX BABU	2021-04-28	mm		Product Customer Drawing		
S	ELX-I-40832	RAHUL	2021-04-28	appd	SANOJ	2021-04-28	mm				
sheet index	revision sheet	S	1								

Amphenol FCI

© 2016 AFCI