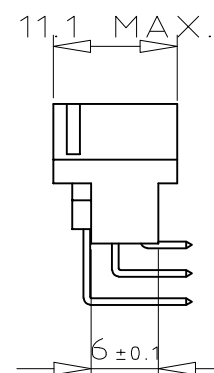
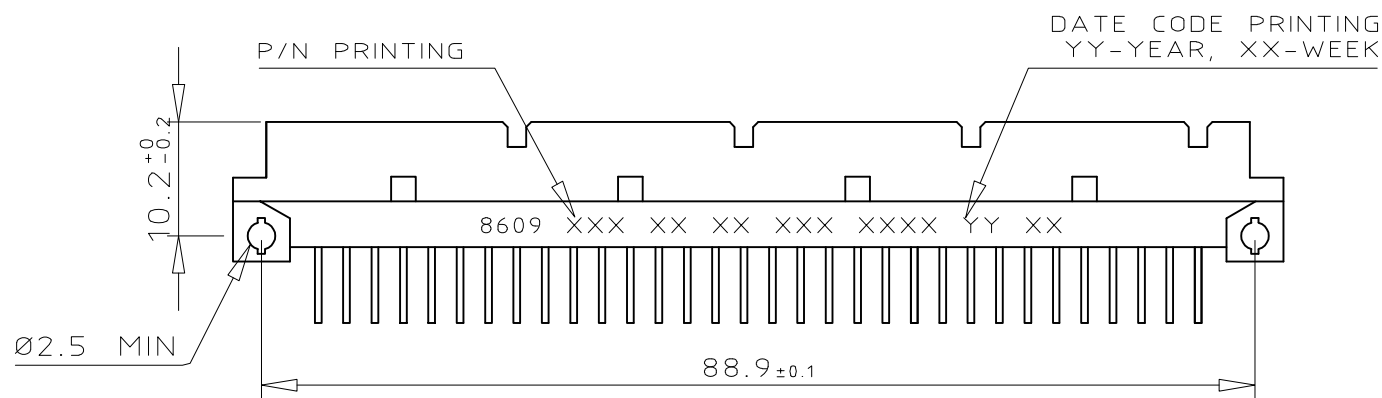
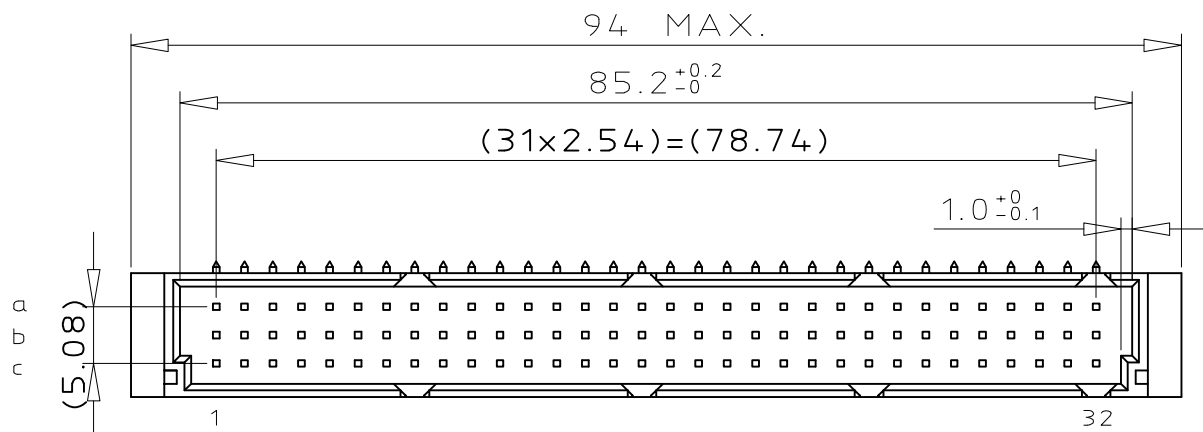
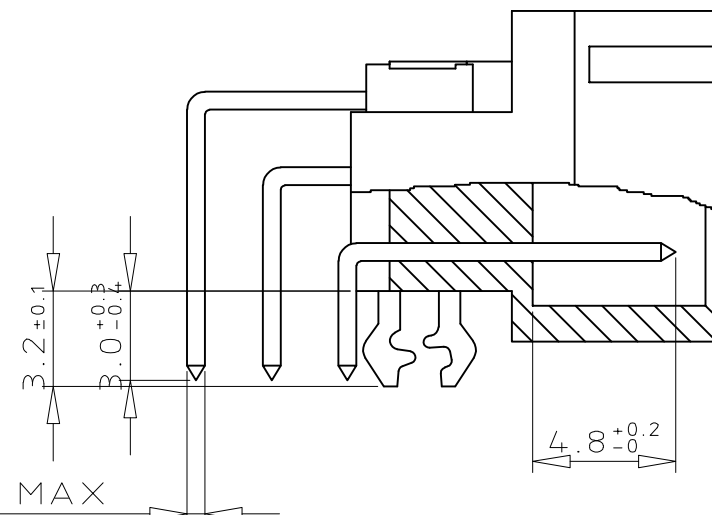


DIMENSIONS



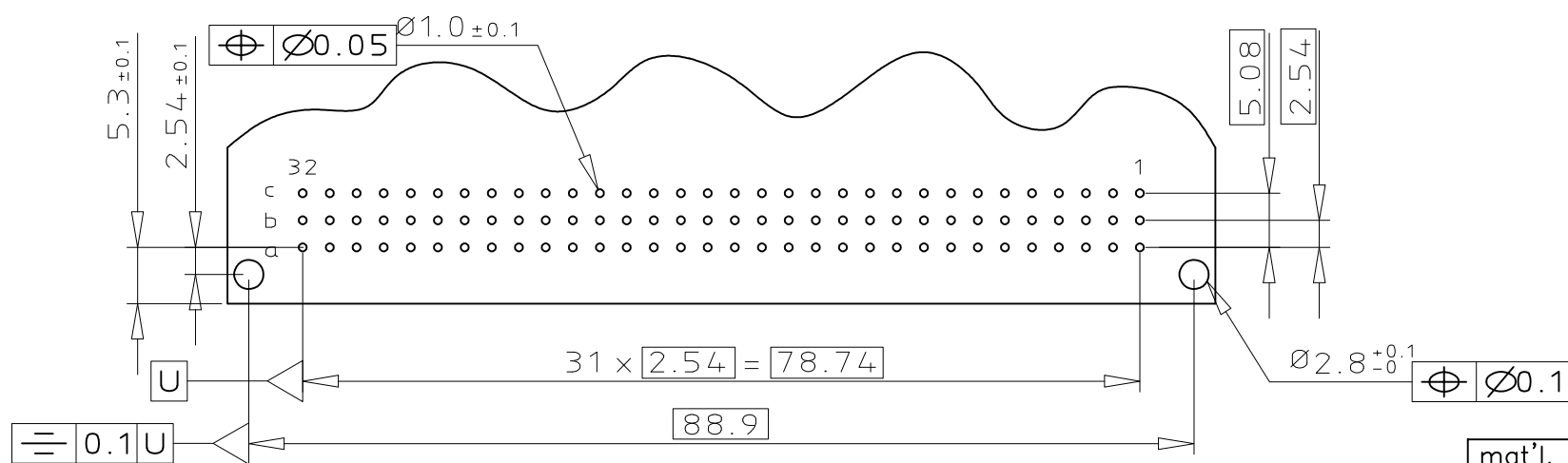
TERMINATION



ORDERING INFORMATION

SERIES	8609	3	96	7	1	13	7	4	5	ELF
ROWS FITTED WITH CONTACTS										
ROW a - b - c	3 96									
ROW a - b - c	4 64									
ROW - b - c	5 32									
NO. OF CONTACTS										
TYPE OF INSULATOR										
3 ROW MALE INSULATOR	7									
METHOD OF MOUNTING										
STANDARD MOUNTING - STYLE C	1									
TERMINATION										
ANGLED SPILL	13									
OPTIONS										
NO OPTION	7									
WITH HARPOONS	H									
PERFORMANCE CLASS										
DIN 41612 CLASS 3	4									
DIN 41612 CLASS 2	5									
DIN 41612 CLASS 1	6									
AS PER MIL C 55302 / JSS 50808	8									
PITCH PER ROW										
2.54 mm	5									
LEAD FREE VERSION	ELF									

PCB LAYOUT



GENERAL CHARACTERISTICS & RoHS INFO

REFER DRAWING C-8609-0000A

mat'l. code	surface	tolerance	projection	product family						
SEE DRAWING C-8609-0000A	ISO 1302 ✓	ISO 406 ISO 1101		8609						
ltr	ecn no	dr	date	title						
A	104-0063	MINI	2004-09-16	DIN STANDARD HEADER DIN 41612 STYLE C						
B	105-0042	MINI	2005-05-19							
C	106-0061	MINI	2006-05-31							
D	107-0100	KR	2007-08-20	dr	MINI K V	2004-09-16	Amphenol FCi	dwg no	sheet 1 of 1	size
E	108-0146	KR	2008-10-21	enrg	RAKHEE G	2004-09-16		C-8609-2001	A3	
F	ELX-I-40686	MJA	2021-04-19	chr	M JACOB	2021-04-19				
				appd	SANOJ	2021-04-19				
sheet index	revision	F								
	sheet	1								