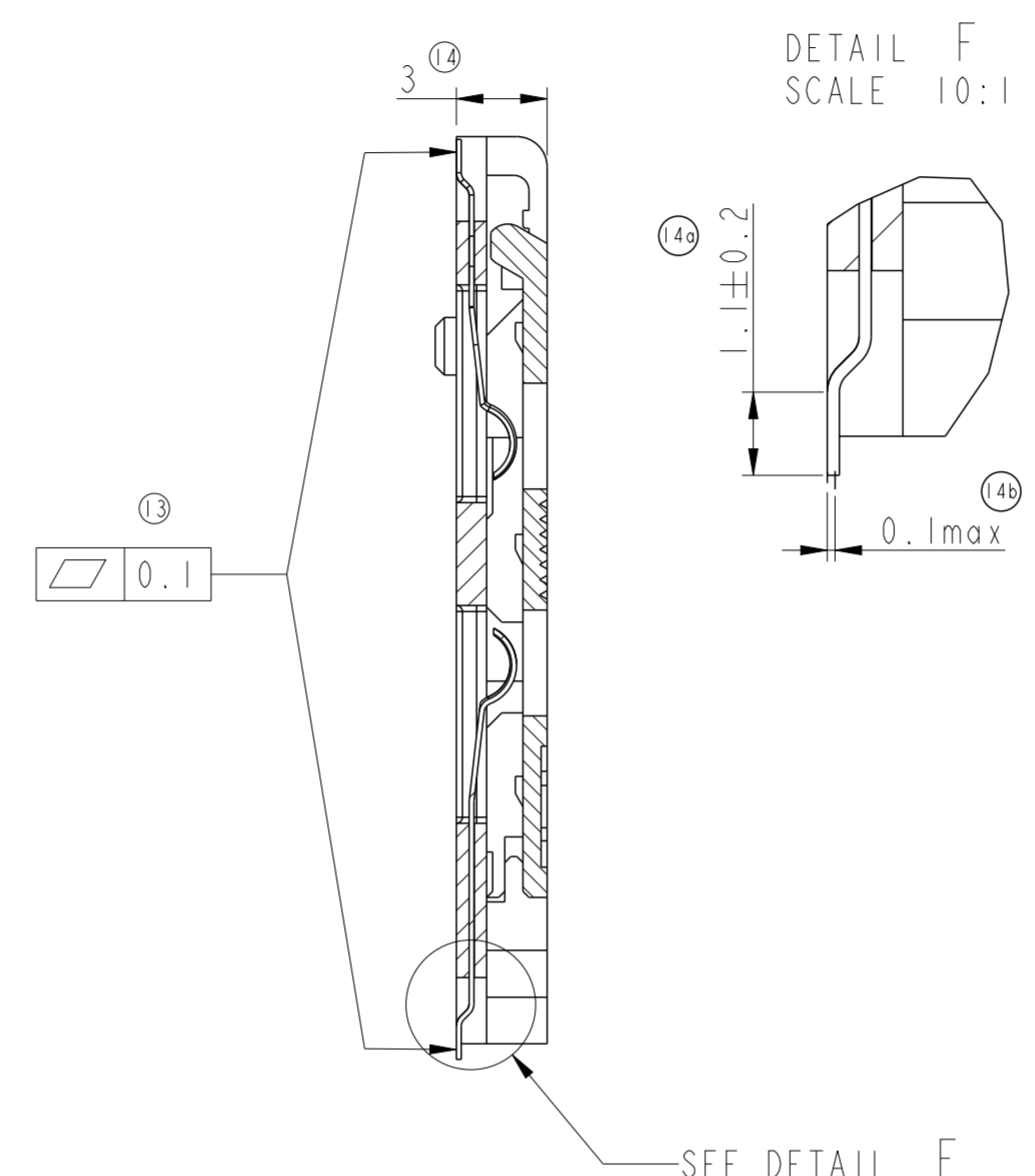
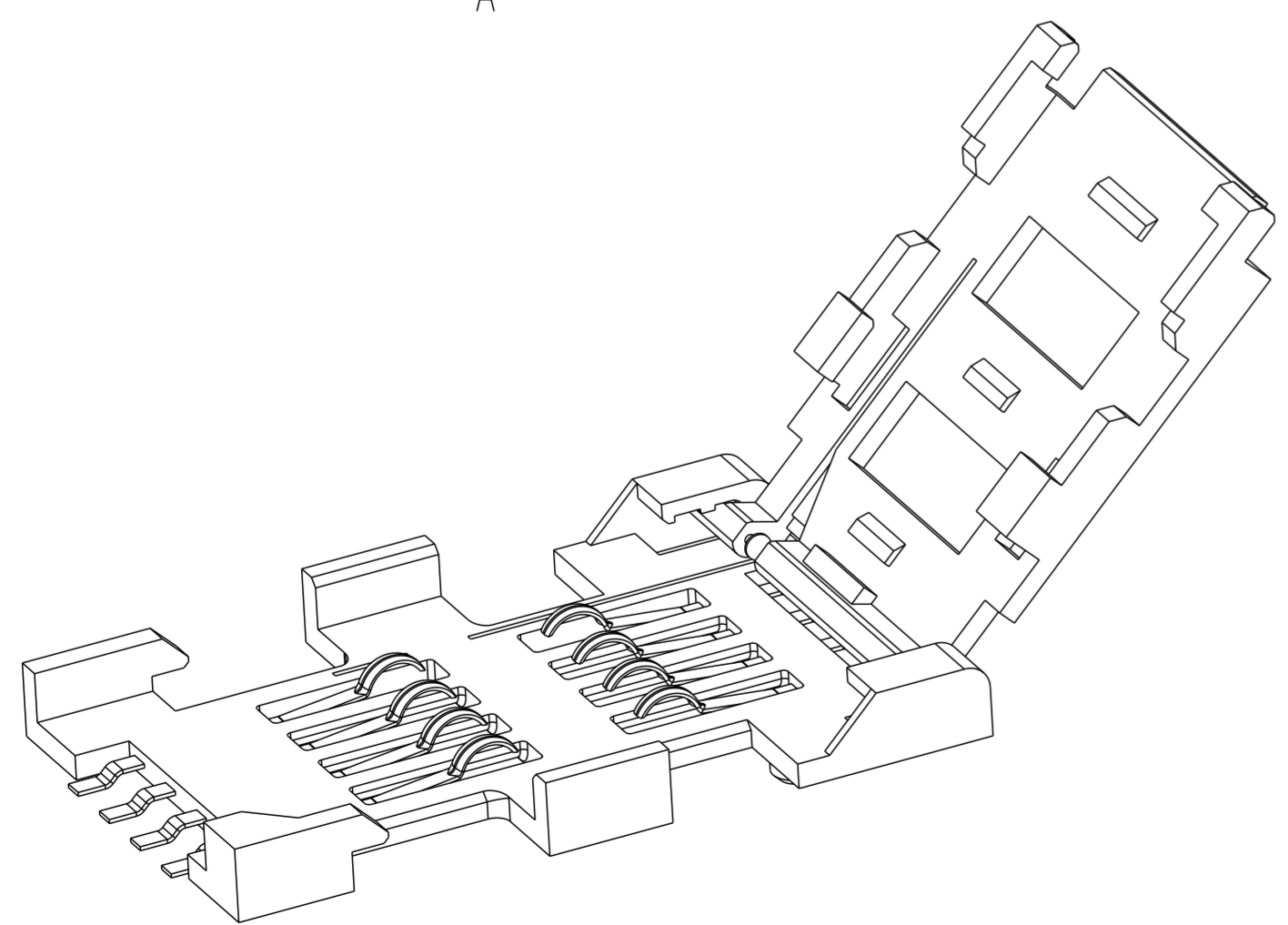
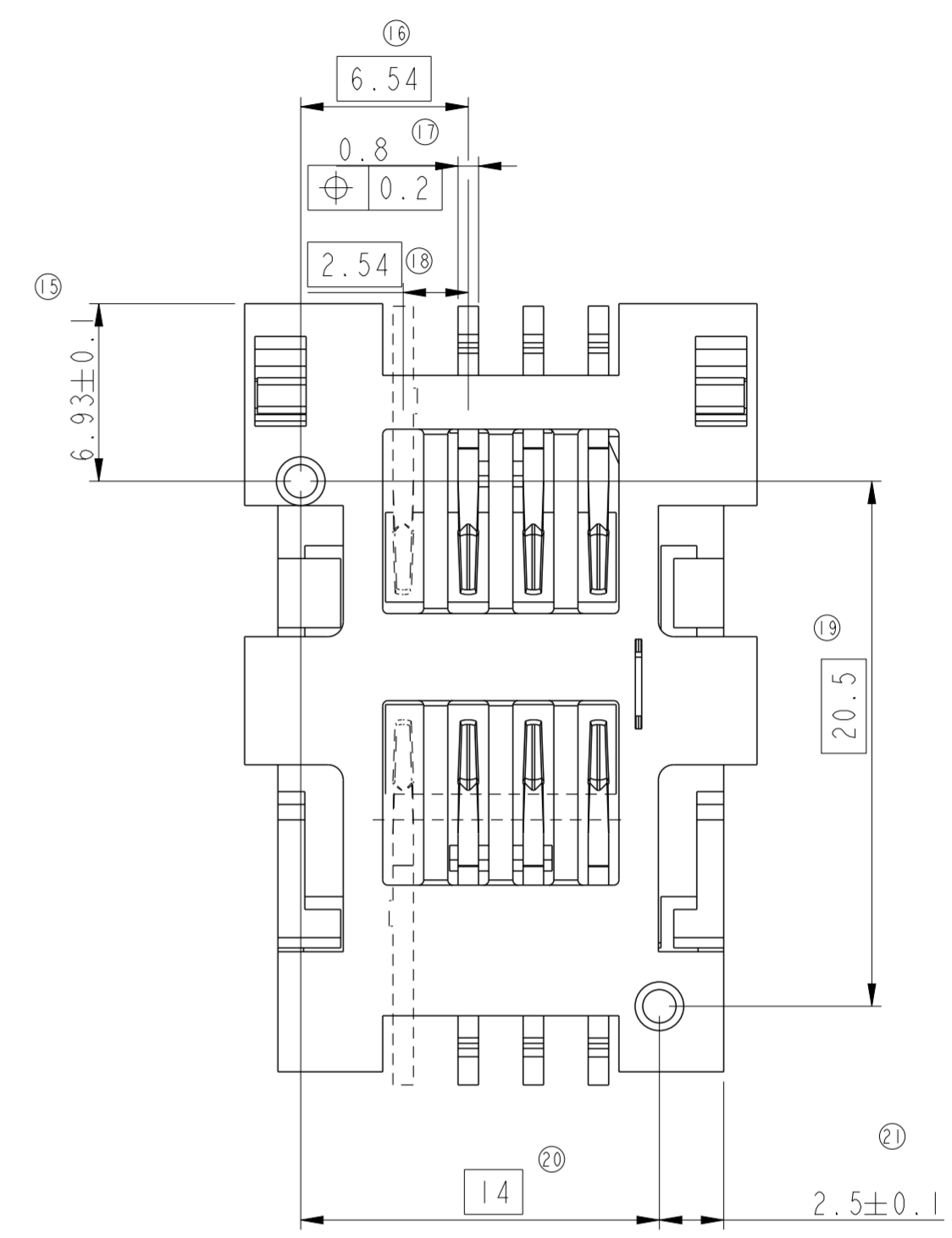


SECTION A-A



DETAIL F
SCALE 10:1



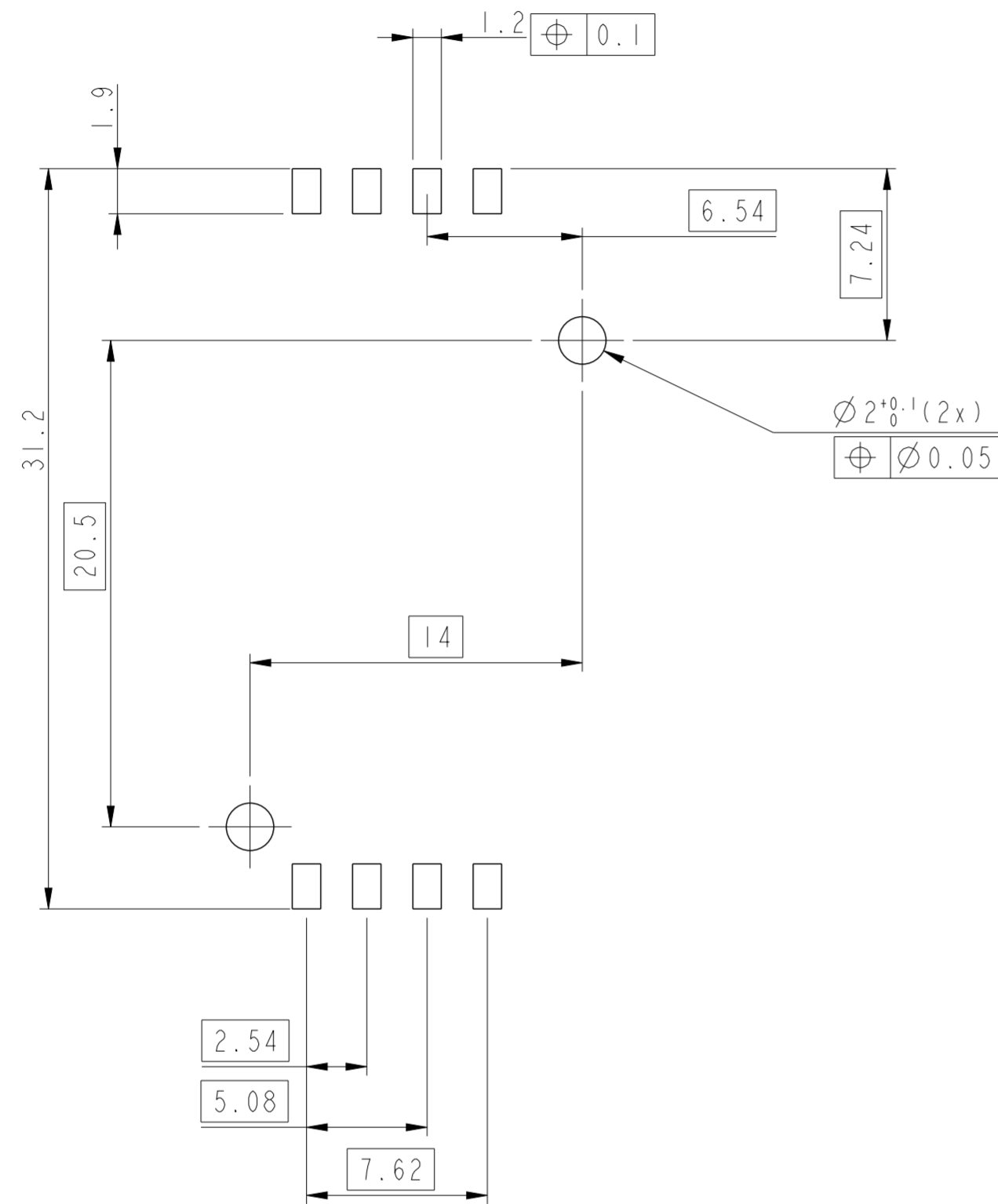
7X12S08XXX01LF

- LEAD FREE
- 5: DURABILITY 10,000 OPERATIONS
- 1: 6 CONTACTS
- 2: 8 CONTACTS
- 1: TAPE N REEL PACKAGING
- 3: TRAY PACKAGING

General Tolerances	
0 to 10mm:	±0.1mm
10 to 30mm:	±0.15mm
30 to 60mm:	±0.2mm
60 and more:	±0.3mm

spec ref	--	dr	P-Mathew Nebu	2011/10/18	projection	mm	size	A2	scale	4:1	
tolerance std	ISO 406 ISO 1101	eng	P-Mathew Nebu	2020/07/01		mm	ecn no	ELX-37321-1	rel level	Released	
TOLERANCES UNLESS OTHERWISE SPECIFIED		chr	-	appr							Kuriakosa, San
surface	ISO 1302	linear	0.X	±		ASSY PERFORATED COVER/SPRING SIM S08	dwg no VRW11496	rev G	Product - Customer Drw		
	angular	0°	±	www.fci.com					cat. no.	see table	sheet 1 of 2

RECOMMENDED PCB LAYOUT



TECHNICALS SPECIFICATION:

Material:

- Plastic parts in High Temp. Thermoplastic, Colour Grey Rated UL 94V0.
- Contacts in copper alloy.
- Plating: Au / Equivalent PdNi over Ni on contact area
- Solder area : Matte Tin over Ni on solder tails
- Spring: steel

Electrical features:

- Insulation resistance : $< 1000 M\Omega$
- Contact resistance : $< 100 m\Omega$
- Voltage Max : $> 1000V_{rms}$
- Current : min $10\mu A$ to max $1A$

Mechanical features:

- 10 000 cycles
- Contact force : 0.5 N per contact

Environmental features:

- Operating Temperature : $-40^{\circ}C$ a $+90^{\circ}C$
- temperature range : $-40^{\circ}C$ to $100^{\circ}C$

LEAD FREE VERSION:

"This product meets European Union Directives and other country regulations as described in GS-47-0004"

The housing will withstand exposure to $260^{\circ}C$ peak temperature for 10seconds in a convection reflow oven.

spec ref	--	dr	P-Mathew Nebu	2011/10/18	projection	mm	size	A2	scale	4:1		
tolerance std	ISO 406 ISO 1101	eng	P-Mathew Nebu	2020/07/01		mm	ecn no	ELX-37321-1	rel level	Released		
TOLERANCES UNLESS OTHERWISE SPECIFIED		chr	-	appr							Kuriakosa, San	2020/07/01
surface	ISO 1302	linear	0.X	±		title ASSY PERFORATED COVER/SPRING SIM S08	dwg no VRW11496	rev G	Product - Customer Drw			
		angular	0°	±°					cat. no.	--	sheet 2 of 2	