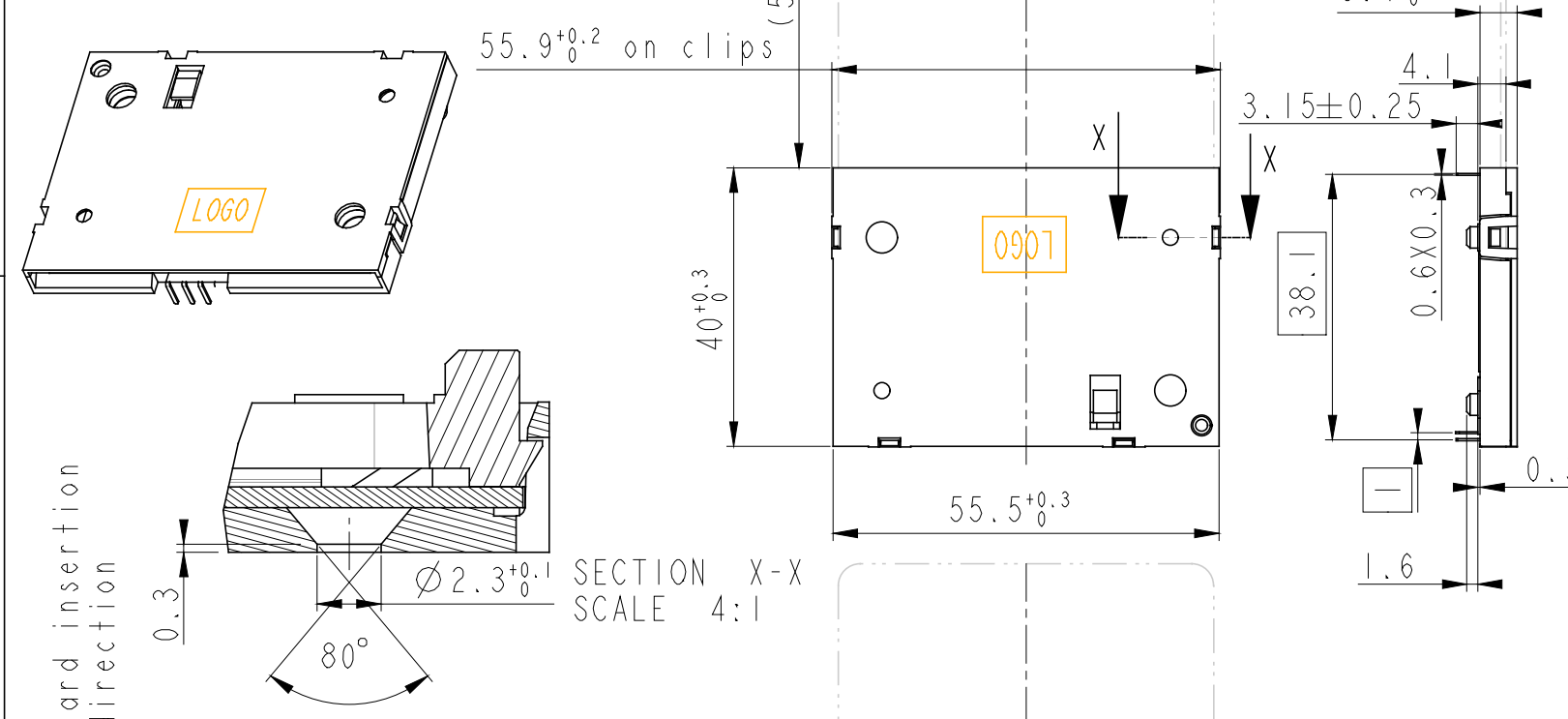


PART NUMBER	LEAD FREE VERSION	MARKING
7432E0225S01	7432E0225S01LF	YES
7332E0225S01	7332E0225S01LF	NO

Tous droits strictement réservés. Reproduction ou communication à des tiers interdite sans la permission écrite de son propriétaire. Propriété de FCI. Droits de reproduction FCI.



GENERAL :
 High cycle life duration smart card connector with landing type contacts mechanism. The landing type connector also provides the feature of recessed contacts when card is not inserted which protects them against vandalism.
 Smart card for reference purposes only.

ELECTRICAL PROPERTIES:
 Insulation resistance : > 1000MΩ
 Dielectric withstanding voltage : >750 Vrms
 Current carrying capacity : Min 10μA, Max 1A
 Contact resistance : < 100mΩ

MECHANICAL PROPERTIES :
 Operating force : Insertion : F < 10N
 Withdrawal : 1 < F < 10N
 Contact Normal force : 0.2 < F < 0.3 for 0.6mm of deflection
 Durability : 200 000 mating cycles

MATERIAL :
 Head reader : PA4/6, Colour Black, Rated UL94V0
 Cover : PA4/6, Colour Grey, Rated UL94V0
 Contacts : Copper alloy,
 Plating : 2.5μm Nickel min. all over
 2μm Gold min. on contact area
 3μm SnPb(60/40) min. on solder tails (FOR LEADED VERSION)
 3μm matte tin min. on solder tails (FOR LEAD FREE VERSION)

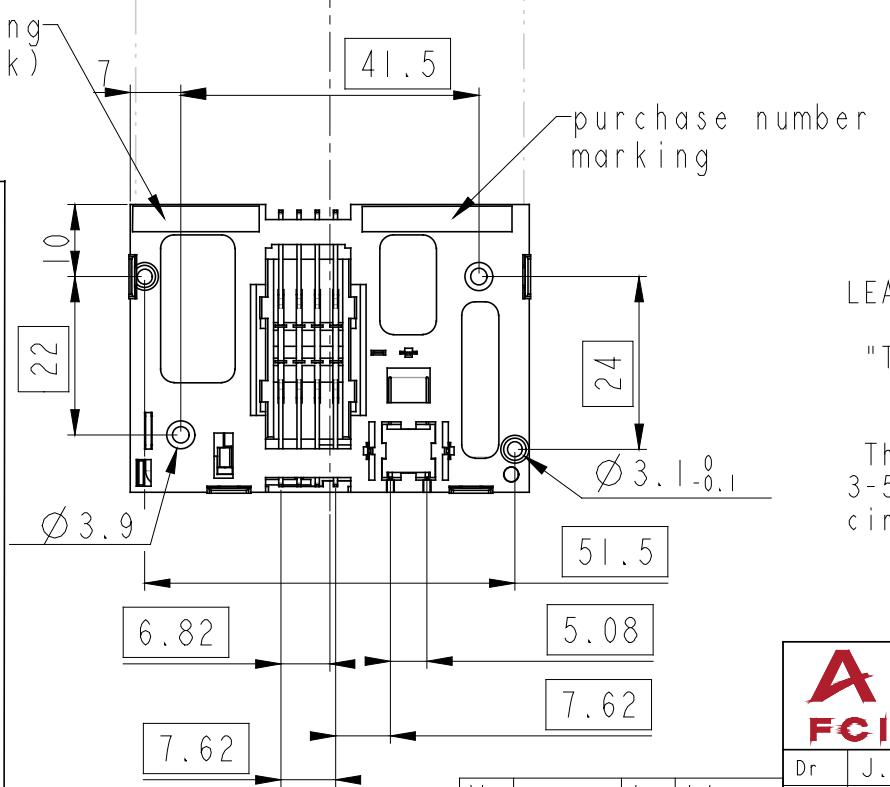
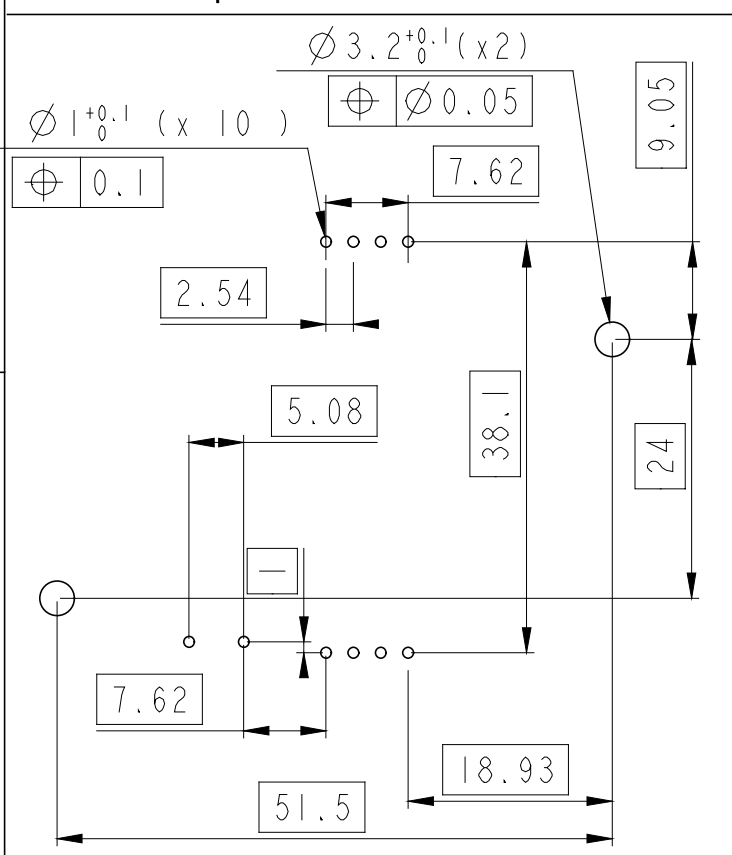
ENVIRONMENT :
 Operating temperature : -40°C / +85°C
 Climatic conditions : UTE 93-421

PACKAGING :
 Plastic cavity tray

LEAD FREE VERSION:
 "This product meets European Union Directives and other country regulations as described in GS-22-008"
 The housing will withstand exposure to 260°C peak temperature for 3-5 seconds in a wave solder application with a 1.6mm minimum thick circuit board.



Recommended PCB Layout (Component side)



General Tolerances			
0 to 10mm:	±0.1mm		
10 to 30mm:	±0.15mm		
30 to 60mm:	±0.2mm		
60 and more:	±0.3mm		

ltr	ecn no	dr	date
A	F20307	DLE	02/04/29
B	F20341	DLE	02/06/04
C	LS3077	MPE	03/09/17
D	LS3088	MPE	03/10/13
E	105-0176	NT	05/09/30
-	-	-	-
-	-	-	-

		www.fciconnect.com	surface -- ✓	tolerance ISO 406 ISO 1101	projection	mm
Dr	J.TARON	02-09-17	Product family	MOBILE I/O	size A3	Scale 1:1
Eng	LE GALLIC	02/10/11	Spec ref	--	ECN	105-0176
Chr	N.TWENCY	05/09/30	Material	SEE NOTES		
Appr	N.TWENCY	05/09/30				
Title E02 WITH PEG			dwg no VJW54004		Rev. E	
SMART CARD READER VXX 27790			catalog no See Table	CUSTOMER COPY		sheet 1 of 1

All rights strictly reserved. Reproduction or issue to third parties in any form whatever is not permitted without written authority from the proprietor. Property of FCI. Copyright FCI.