

PRODUCT NUMBER
75188-XXX-XXLF

ROHS COMPLIANT & COMPATIBLE,
SEE NOTE 8

NUMBER OF CONTACTS 02 TO 18
PIN STYLE SEE TABLE

- PLATING:
- 1 = 0.76µm FULL GOLD
 - 3 = 2µm MIN MATTE TIN FULL PLATED
 - 8 = 0.38µm FULL GOLD
 - 1.27µm MIN NICKEL UNDERPLATING

NOTES:

1. HOUSING MAT'L : HIGH TEMPERATURE THERMOPLASTIC
FLAME RETARDANT PER UL94-V0, COLOR BLACK.

2. PIN MATERIAL : PHOSPHOR BRONZE.

3. DIM 1.27^{+0.03}-0.13 FOR MOULDED SIDE(S)
ONLY. IF SIDE(S) ARE BROKEN, DIM 1.02
TO 1.7 MAX APPLIES.

4. PIN PUSH OUT FORCE : 12N MIN.

5. PRODUCT PACKAGED IN POLY BAGS.

6. TO DETERMINE DIMENSIONS :
N = NUMBER OF CONTACTS

7. FOR STANDARD SELECTIVE GOLD PLATED
PRODUCTS, SEE DRAWING 77312

8. ROHS COMPLIABLE PRODUCT SPECIFICATIONS

a - "LF" MEANS THE PRODUCT IS LEAD-FREE

b - MANUFACTURING PROCESS COMPATIBILITY

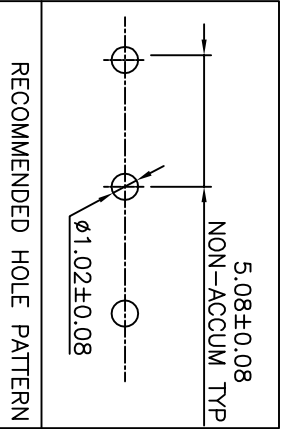
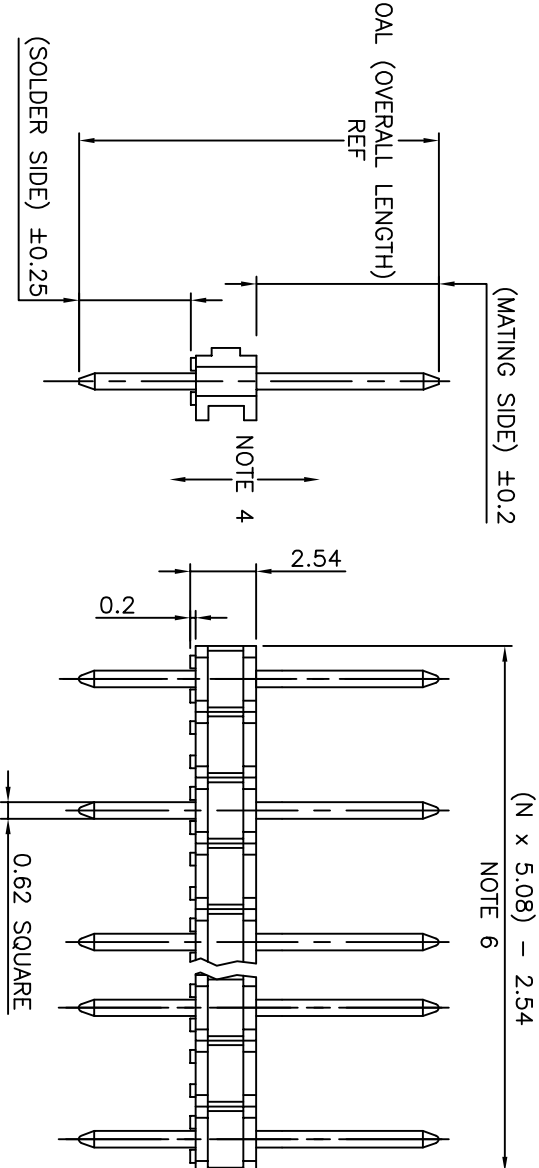
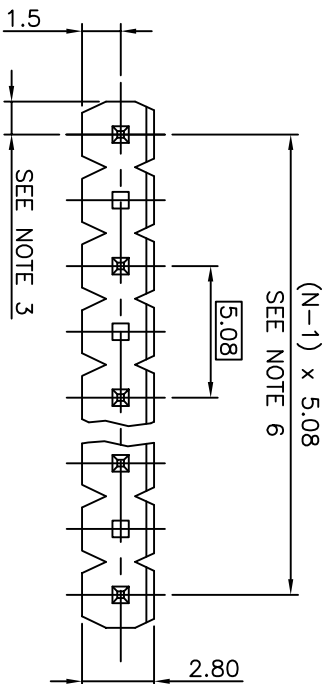
- THE HOUSING WILL WITHSTAND EXPOSURE TO
260°C ±5°C SOLDER BATH TEMPERATURE FOR
5 SECONDS IN A WAVE SOLDER APPLICATION
WITH A 1.6mm MIN THICK CIRCUIT BOARD.

c - LABELING:

- MEETS PACKAGING SPECS AS PER GS-14-920

d - LEGAL STATEMENT: SEE GS-47-0004

| PIN STYLE | PRODUCT DIMENSIONS | | |
|-----------|--------------------|-------------|------------|
| | "A" ±0.15 | "B" ±0.2 | OAL REF |
| 01 | 5.72 | 2.54 | 10.8 |
| 02 | 5.84 | 3.43 | 11.81 |
| 03 | 5.72 | 5.08 | 13.34 |
| 06 | 5.72 | 12.7 | 20.96 |
| 15 | 8.51 | 2.54 | 13.59 |
| 18 | 5.72 | 3.05 | 11.3 |
| 19 | 12.83 | 3.05 | 18.42 |
| 25 | 8.51 | 3.17 | 14.22 |
| 28 | 6.6 | 4.2 | 13.34 |
| 30 | 22.61 | 3.43 | 28.58 |
| 37 | 27.62 | 3.5 | 33.66 |



| mat'l. code | | surface | | tolerance | | projection | | product family | |
|-------------|----------|----------|----------|---------------------------------------|-----------|------------|----|----------------|----------|
| ltr | ecn no | dr | date | ISO 1302 | ISO 406 | ISO 1001 | mm | title | BERGSTIK |
| M | F10076 | JMC | 91.02.25 | tolerances unless otherwise specified | X ±0.3 | | mm | HEADER SR,STR | |
| N | F05-0198 | LWU | 05.05.04 | | XX ±0.15 | | mm | 5.08mm PITCH | |
| P | F06-0198 | LWU | 06.06.20 | | XXX ±0.05 | | mm | | |
| R | B-19264 | LWU | 14.10.31 | | | | mm | | |
| SEE NOTES | | | | | | | | | |
| SCALE 5:1 | | | | | | | | | |
| dwg no | | 75188 | | sheet 1 of 1 | | size | | A3 | |
| type | | CUSTOMER | | Drawing | | | | | |