

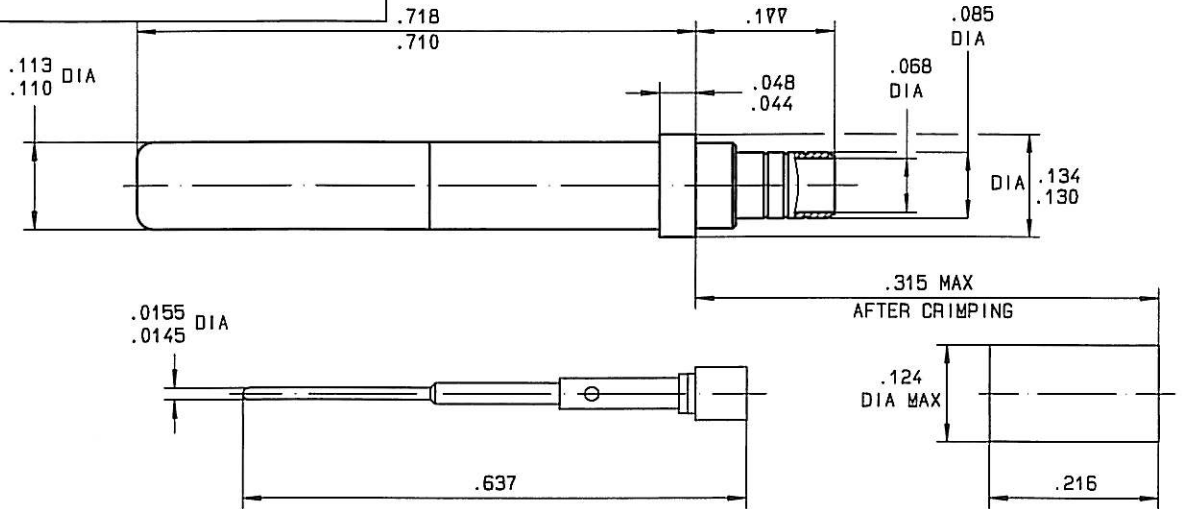
Series  
MPX

SIZE 16 COAXIAL SOCKET CONTACT FOR CABLES:  
KX22 DT, RG 179, RG 316, ASNE 0752WS, FILECA F1709-6, ASNE 0639, ASNE 0632  
CHEMINAX 7528A1317, TENSOLITE 26850/9P077X-1, TENSOLITE 28880/9P077X-1

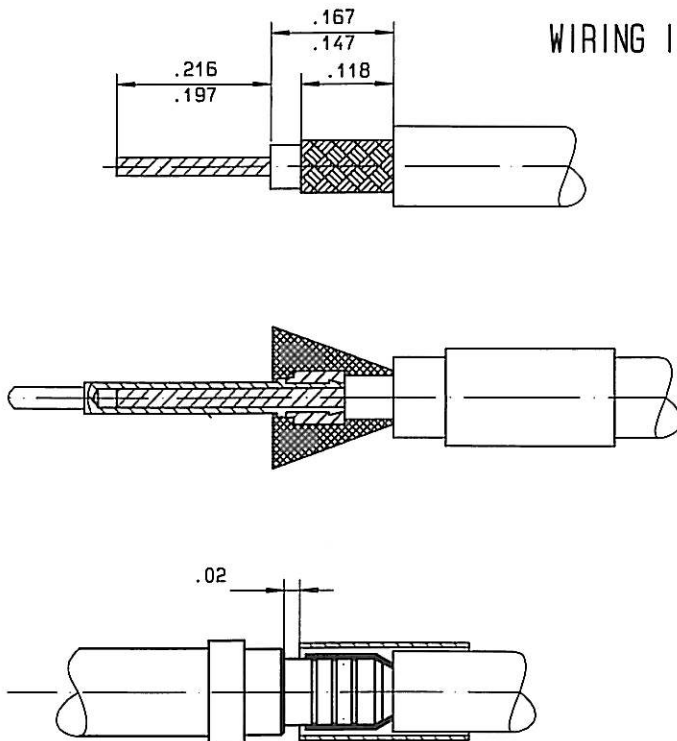
Issue:  
23 OCT.03

Page  
1 / 1

MATERIAL AND FINISH:  
- OUTER CONTACT: BERYLLIUM COPPER HEAT TREATED FOR SPRING TINES  
- GOLD (50 MICROINCHES) OVER NICKEL  
- PROTECTIVE SLEEVE: PASSIVATED STAINLESS STEEL  
- INSULATORS: PTFE  
- CENTER CONTACT: BRASS-GOLD (50 MICROINCHES) OVER NICKEL  
CRIMP FERRULE : BRASS-GOLD (50 MICROINCHES) OVER NICKEL



WIRING INSTRUCTIONS



- 1 - STRIP THE CABLE AS SHOWN
- 2 - SLIDE FERRULE OVER SHEATH
  - FOLD BACK THE FIRST BRAID ON CABLE JACKET
  - CUT HIGH IMMUNITY RIBB ON .118 STRIP OFF LENGHT
  - FLARE SECOND BRAID
  - SLIDE CABLE IN CENTRAL CONTACT DIELECTRIC AGAINST THE SLEEVE
- CRIMP CENTRAL CONTACT
  - TOOL M22520/2-01 (RADIALL 282 281)
  - SELECTOR SET 2
    - SET 1 FOR ONLY ASNE 0639 CABLE
    - SET 3 FOR ONLY TENSOLITE CABLES
  - POSITIONNER (DANIELS K 370) (RADIALL 282 555)
- 3 - PUSH CABLE ASSEMBLY IN TO BODY CONTACT
  - FOLD BRAID OVER BARREL
  - SLIDE FERBULE TO .020 OF SHOULDER BARREL
  - CRIMP THE FERRULE A FIRST TIME
  - TURN THE CONTACT OF ABOUT 45°
  - CRIMP THE FERRULE A SECONDE TIME
    - TOOL M 22520/4-01 (RADIALL 282292)
    - POSITIONNER (RADIALL 282556)
    - REMOVABLE TOOL M 81969/1-03 (RADIALL 282546)

This information is given as an indication. In the continual goal to improve our products, we reserve the right to make any modifications judged necessary.

4112\_9311

CREATION	23 OCT.03	ADDED TENSOLITE CABLES	DUPUIS	LAHOREAU
PEN: 89066	18 FEB.02	ADDED CHEMINAX CABLE	MACARI	COUTHON
MO30400048A	04 DEC 01	282546 WAS 282892	VALGRESY	GOMBERT
NOM: FALETTI	11 JAN.99	ADDED ASNE 0639 AND 0632 (FET2976)	MACARI	JACOB
DATE: 16 JULY 90	08-12-98	ADDED CABLE ASNE	D.FERRER	MACARI
APPR.: JACOB	10/02/95	REDRAWN BY CAD.	BALDYROU	VALGRESY
	Issue	Revisions	Name	Approved