

Amphenol

26-Series Connectors



Amphenol

Introduction

26 SERIES RACK & PANEL CONNECTORS

R & P - 1

These connectors have been developed to provide a rugged heavy duty interconnection, where size is not a limited factor and large gauge wires can be used because of ribbon contact principle. These connectors have excellent performance features like easy mating, positive contact pressure and self cleaning action. These connectors are polarised. 26 Series Rack and Panel Connectors are also qualified to meet the operating requirements of Defence Standard Joint Services Specification **JSS50812**, issued by the Electronics Components Standardization Organisation (LCSO).

APPLICATIONS :

These are mainly used in industrial control instruments, test equipments and transportation.

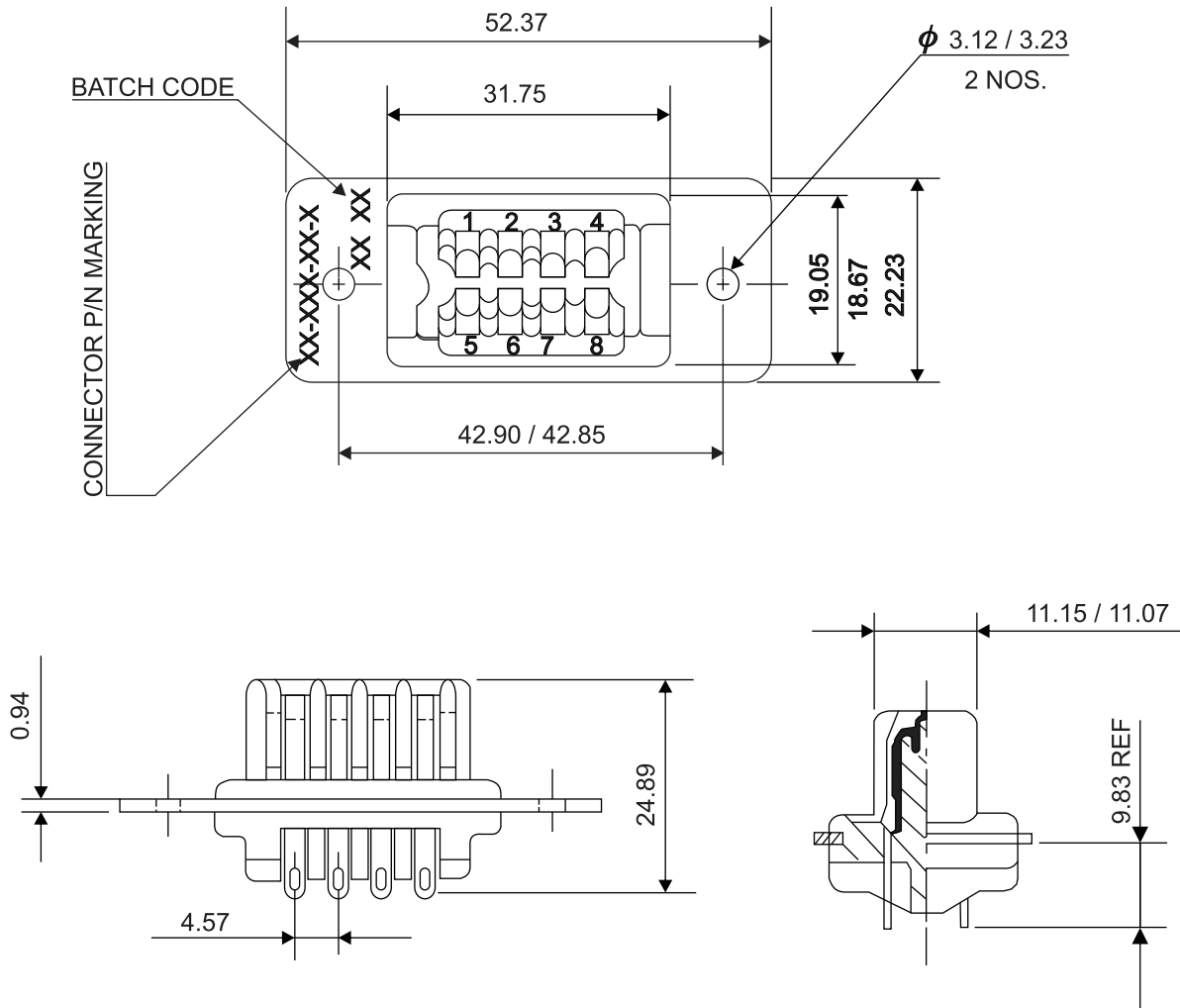
Page Contents

Introduction	1
Technical Data	2
8 Pin Plug	3
8 Pin Receptacle	4
16 Pin Plug	5
16 Pin Receptacle	6
24 Pin Plug	7
24 Pin Receptacle	8

Technical Data

1)	Operating Voltage	: 750v rms
2)	Operating Current	: 5 Amps
3)	Operating Temperature	: -55 ⁰ C + 125 ⁰ C
4)	Materials	
	a) Insulator	: Glass filled Dially phthalate (DAP)
	b) Contact	
	i) Socket	: Phospher Bronze
	ii) Plug	: Brass
	c) Other metal parts	
	i) Mounting Plate	: Stainless Steel passivated
	ii) Guide Pin	: Aluminium (Ni plated)
	iii) Guide Bush	: Brass (Ni plated)
	iv) Washer	: Brass (Ni plated)
5)	Contact Resistance	: 11 Milliohms max.
6)	Insulation Resistance	: 5000 Megaohms min.
7)	Voltage Proof	: 1200v rms
8)	Connector engagement force	
	i) 8 Pin	: 3.7 kgs. max.
	ii) 16 Pin	: 7.0 kgs. max.
	iii) 24 Pin	: 11.0 kgs. max.
9)	Connector disengagement force	
	i) 8 Pin	: 150 gms. min.
	ii) 16 Pin	: 300 gms. min.
	iii) 24 Pin	: 450 gms. min.
10)	Colour	: Blue
	Ref : Standard / Specification	: Meets requirements of JSS50821

8 Pin Plug

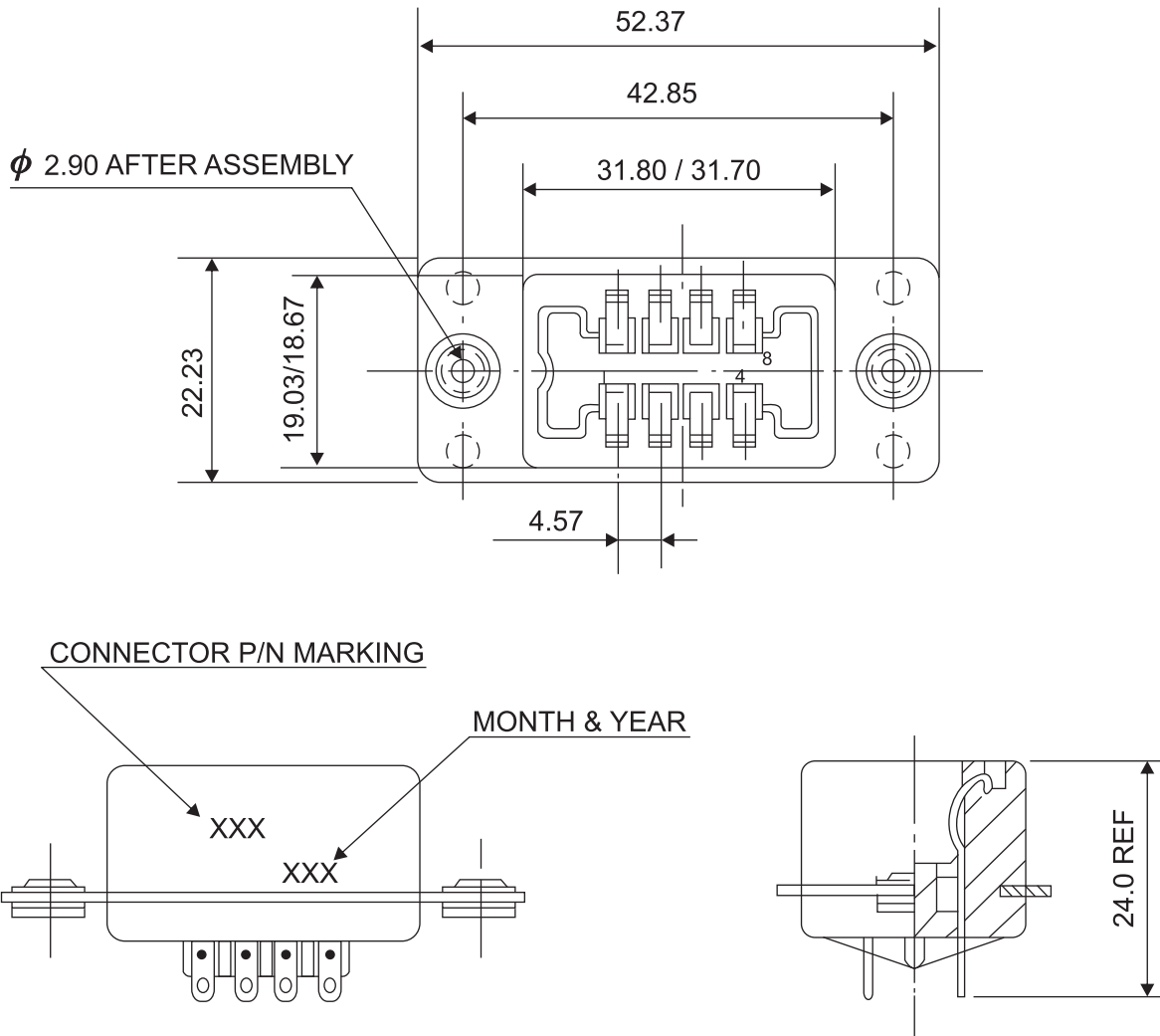


PART NO. DETAILS

SL. NO.	CONNECTOR P/N	NO. OF CONT.	TERMINATION TYPE	CONTACT FINISH	LEVEL
1	26-182	8	SOLDER	GOLD PLATE OVER NICKEL	1
2	26-08P-004	8	SOLDER	GOLD PLATE OVER NICKEL	3
3	26-08P-99	8	SOLDER	SILVER PL. & TIN LEAD SOLDER DIP ON TERMINATION	-

Note: All dimensions are in mm

8 Pin Receptacle

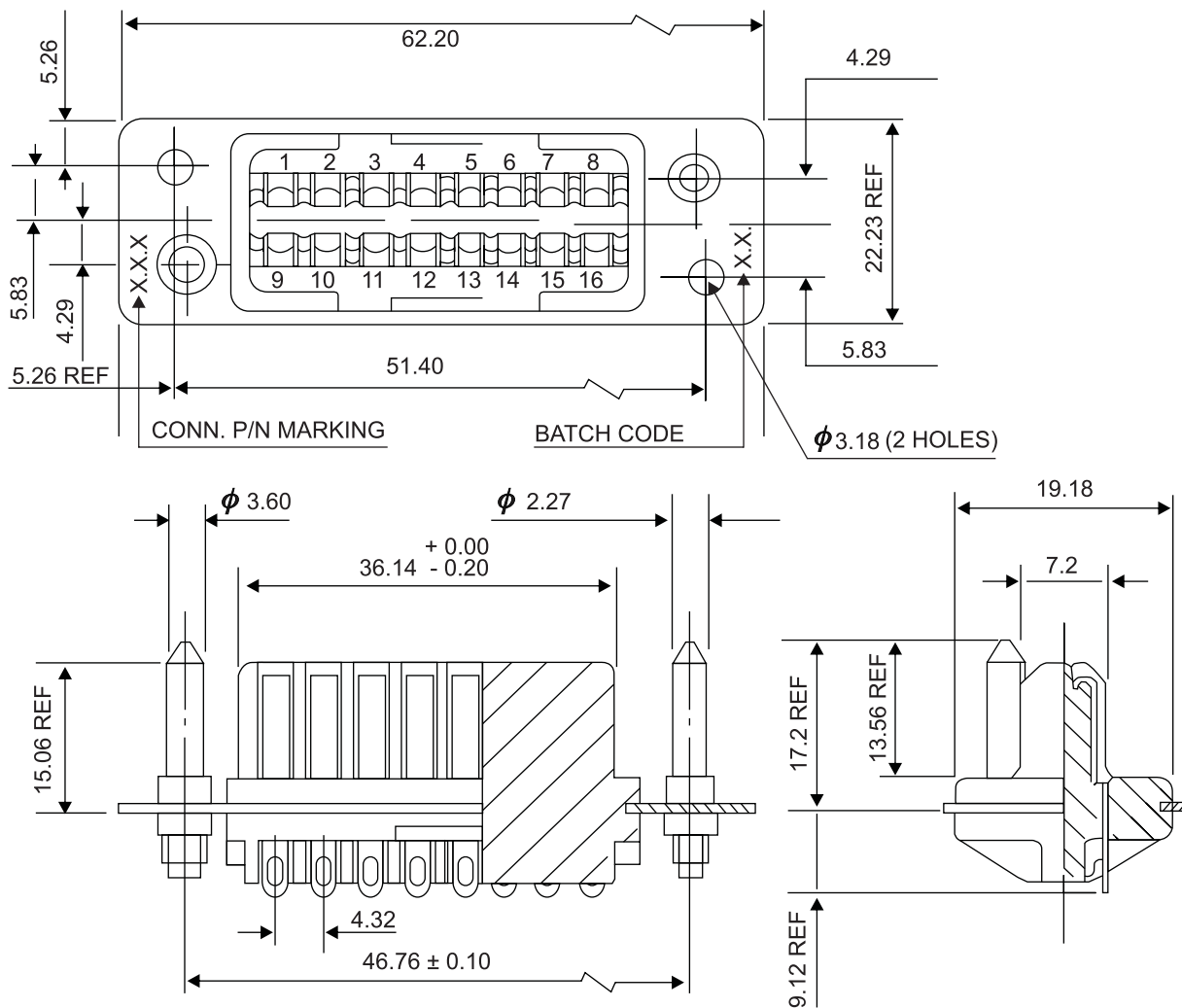


PART NO. DETAILS

SL. NO.	CONNECTOR P/N	NO. OF CONT.	TERMINATION TYPE	CONTACT FINISH	LEVEL
1	26-183	8	SOLDER	GOLD PLATE OVER NICKEL	1
2	26-08S-004	8	SOLDER	GOLD PLATE OVER NICKEL	3
3	26-08S-99	8	SOLDER	SILVER PL. & TIN LEAD SOLDER DIP ON TERMINATION	-

Note: All dimensions are in mm

16 Pin Plug

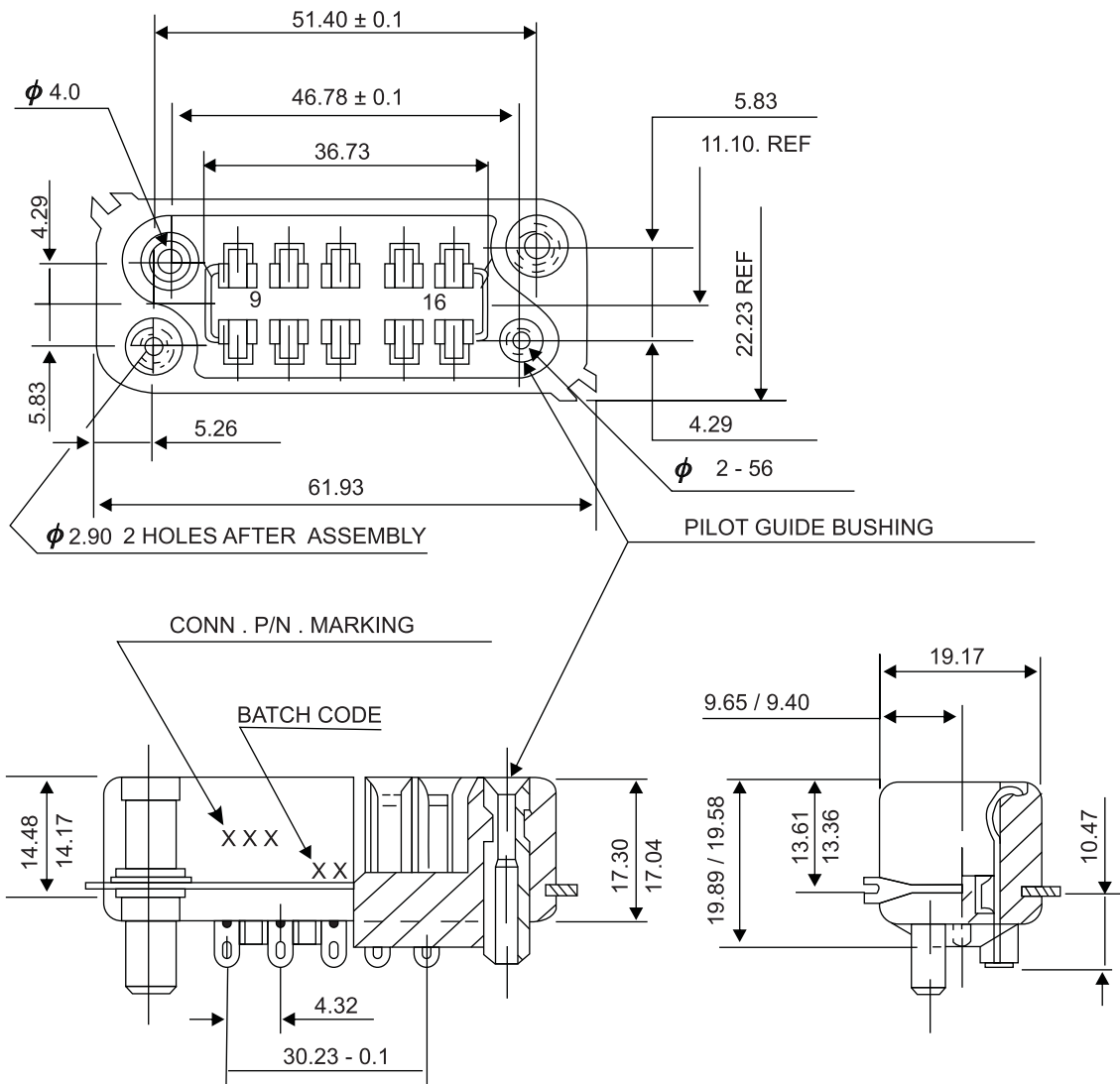


PART NO. DETAILS

SL. NO.	CONNECTOR P/N	NO. OF CONT.	TERMINATION TYPE	CONTACT FINISH	LEVEL
1	26-159-16	16	SOLDER	GOLD PLATE OVER NICKEL	1
2	26-16P-004	16	SOLDER	--- DO ---	3
3	26-16P-99	16	SOLDER	MATING : SILVER TERMINATION : TIN LEAD SOLDER DIPOVER SILVER	-

Note: All dimensions are in mm

16 Pin Receptacle

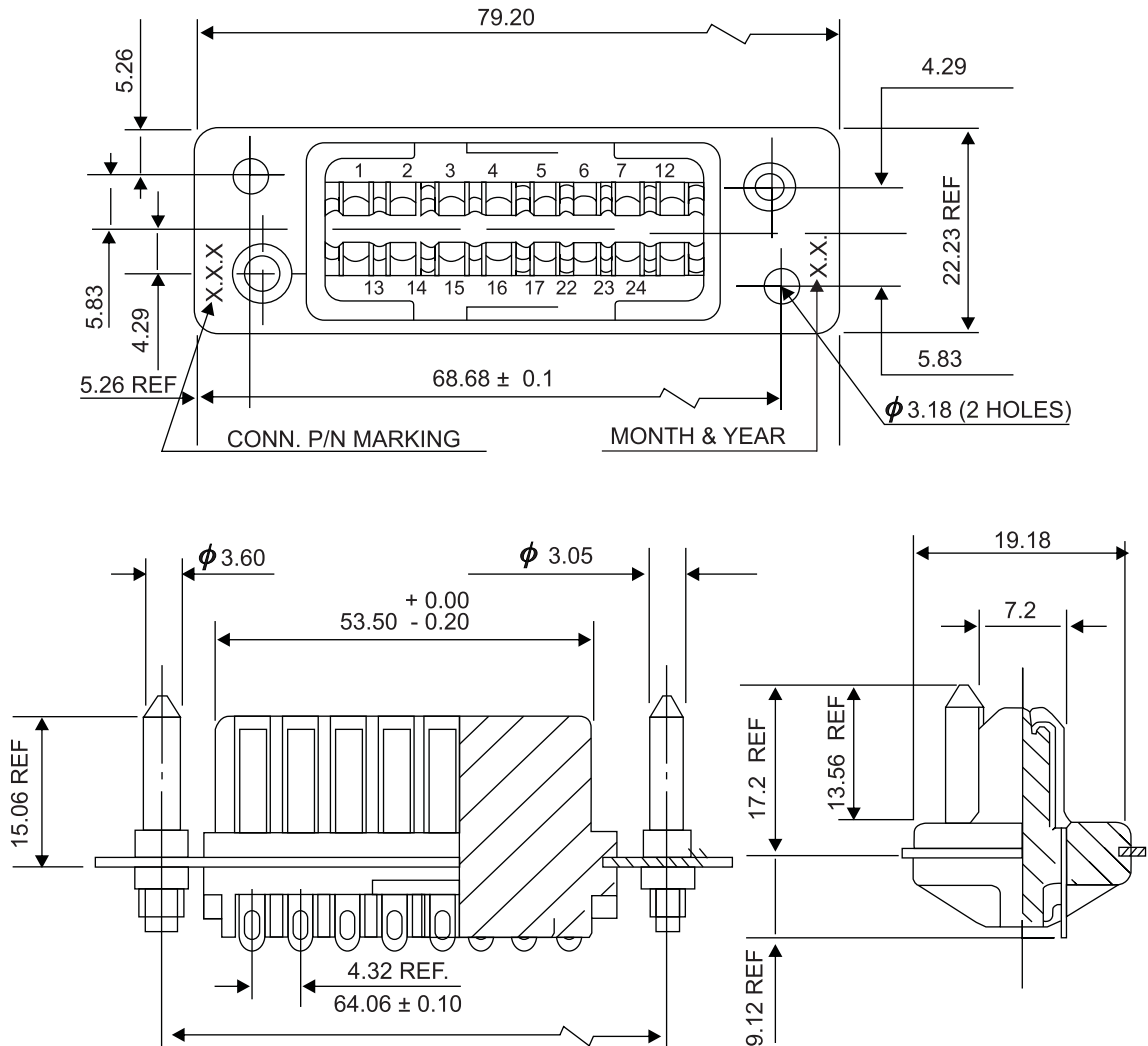


PART NO. DETAILS

SL. NO.	CONNECTOR P/N	NO. OF CONT.	TERMINATION TYPE	CONTACT FINISH	LEVEL
1	26 - 190 - 16	16	SOLDER	GOLD PLATE OVER NICKEL	1
2	26 - 16S - 004	16	SOLDER	--- DO ---	3
3	26 - 16S - 99	16	SOLDER	MATING : SILVER TERMINATION : TIN LEAD SOLDER DIPOVER SILVER	-

Note: All dimensions are in mm

24 Pin Plug

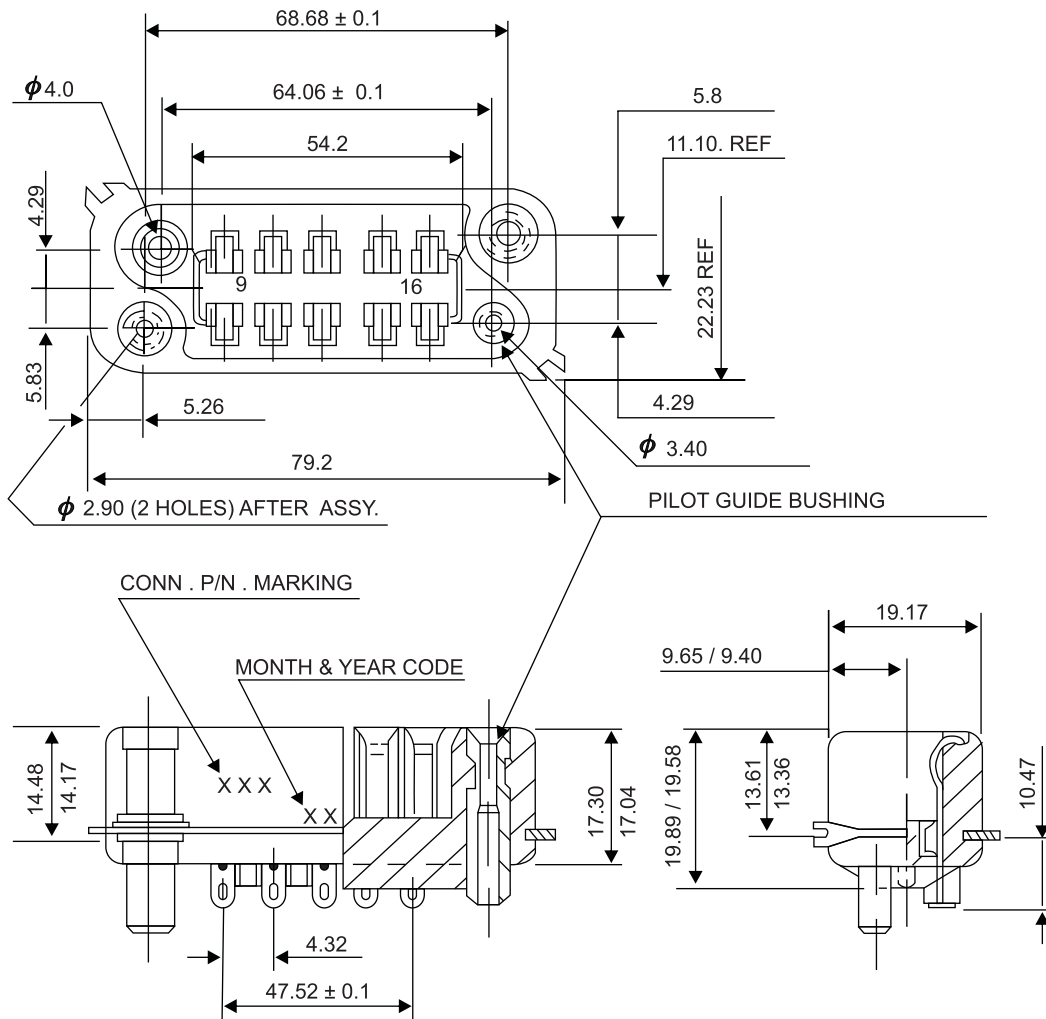


PART NO. DETAILS

SL. NO.	CONNECTOR P/N	NO. OF CONT.	TERMINATION TYPE	CONTACT FINISH	LEVEL
1	26-159-24P	24	SOLDER	GOLD PLATE OVER NICKEL	1
2	26-24P-004	24	SOLDER	GOLD PLATE OVER NICKEL	3
3	26-24P-99	24	SOLDER	SILVER PL. & TIN LEAD SOLDER DIP ON TERMINATION	-

Note: All dimensions are in mm

24 Pin Receptacle



PART NO. DETAILS

SL. NO.	CONNECTOR P/N	NO. OF CONT.	TERMINATION TYPE	CONTACT FINISH	LEVEL
1	26-190-24S	24	SOLDER	GOLD PLATE OVER NICKEL	1
2	26-24S-004	24	SOLDER	GOLD PLATE OVER NICKEL	3
3	26-24S-99	24	SOLDER	SILVER PL. & TIN LEAD SOLDER DIP ON TERMINATION	-

Notice : All information, including illustrations given herein is believed to be accurate at the time of printing. In lieu of design advances, Amphenol reserves the right to change specifications without notice. This publication 01/10 supercedes all existing Amphenol literature on 26 Series Rack & Panel Connectors.

Amphenol

A Global Company



Pune Operations



Bangalore Operations

Amphenol

Interconnect India Pvt. Ltd.

Our offices in India:

MARKETING HEAD QUARTERS

105, Bhosari Industrial Area,
Pune - 411 026.
Tel.: 91- 020 - 30688303, 30688304
Fax : 91 - 020 - 30688321
Email : vbhavsar@amphenol-in.com
sales@amphenol-in.com

Southern Region

4931, 11th Floor, High Point IV
45, Palace Road, Bangalore 560 001.
Tel.: 91-80-22281392, 22281002
Fax : 91-80-22253859
Email : kmanoj@amphenol-in.com

Northern and Eastern Region

1414, 14th Floor, Chiranjiv Tower,
43, Nehru Place, New Delhi - 110 019.
Tel. : 91-11-26449177
Telefax : 91-11-26449176
Email : sunily@amphenol-in.com

Export

105, Bhosari Industrial Area,
Pune - 411 026, India.
Tel.: 91- 20 - 30688305, 30688334
Fax : 91- 20 - 27129158
Email : svpatil@amphenol-in.com

Western Region

105, Bhosari Industrial Area,
Pune - 411 026.
Tel.: 91- 20 - 27119735, 30688334
Fax: 91- 20 - 27120581, 27119735
Email : sunilp@amphenol-in.com

Central Region

107, 1st Floor, 'Am Sri Classic',
Sarojinidevi Road, Secunderabad-500 003.
Telefax : 91- 40-66332906
Email : pprasad@amphenol-in.com

www.amphenol-in.com