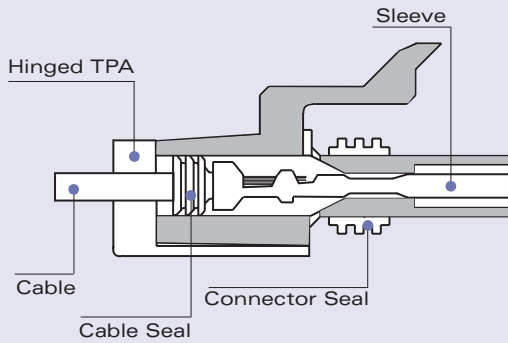
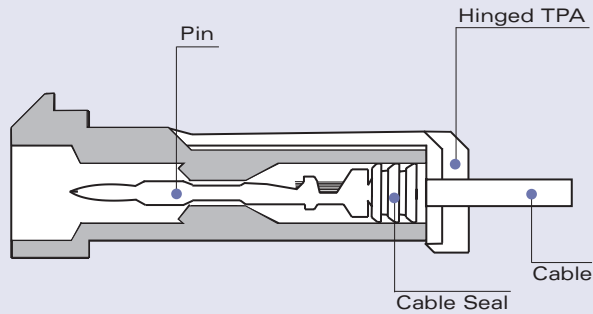




Cross Sectional View



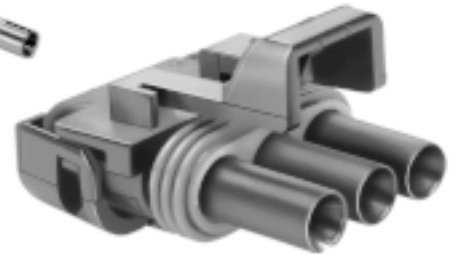
Female Connector Assembly



Male Connector



Female Terminal (Sleeve)



Female Connector Assembly

WEATHER-PACK FEMALE TERMINALS (SLEEVE) SEALED*

Sleeve Part #	Cable Range (mm ²)	Material	Plating
12124581	3.0	Tin Brass	Tin
12124580	2.0-1.0	Tin Brass	Tin
15408312	0.80-0.50	Tin Brass	Tin
12020801	0.35	Tin Brass	Tin

*Use of the Weather-Pack 6060 gage as a process control aid is recommended for Weather-Pack terminals. See page 327 in the Application Tooling section for details.



WEATHER-PACK CABLE SEALS

Reel Part #	Loose Part #	Cable Diameter	Material	Color
12015360	12015193	4.30-3.45	Silicone	Blue
12015359	12010293	3.49-2.81	Silicone	Lt. Gray
12015284	12015323	2.85-2.03	Silicone	Green
12041352	12041351	2.42-2.03	Silicone	Tan
12089444	12089679	2.15-1.60	Silicone	Purple
12034365	12015899	1.70-1.29	Silicone	Dk. Red

WEATHER-PACK FEMALE CONNECTOR ASSEMBLIES SEALED

# Cavities	Connector Assembly	Color	Material
1	12015791	Black	PA6
2	12015792	Black	PA6
3	12020829	Black	PA6
4	12015798	Black	PA6
4	12020832	Black	PA6
6	12020926	Black	PA6
22	12020991	Black	PA6

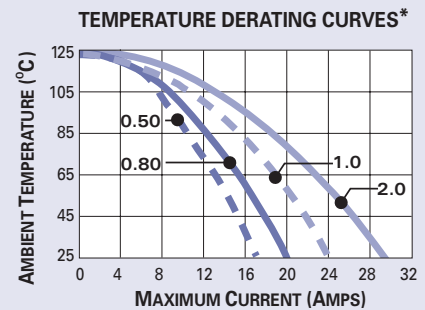
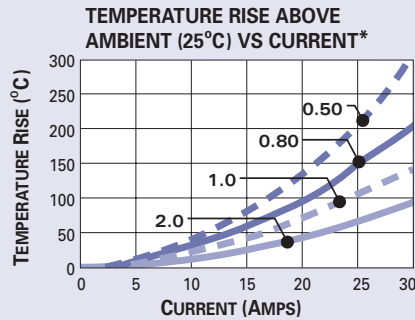
<http://delphi.com/products/connect>



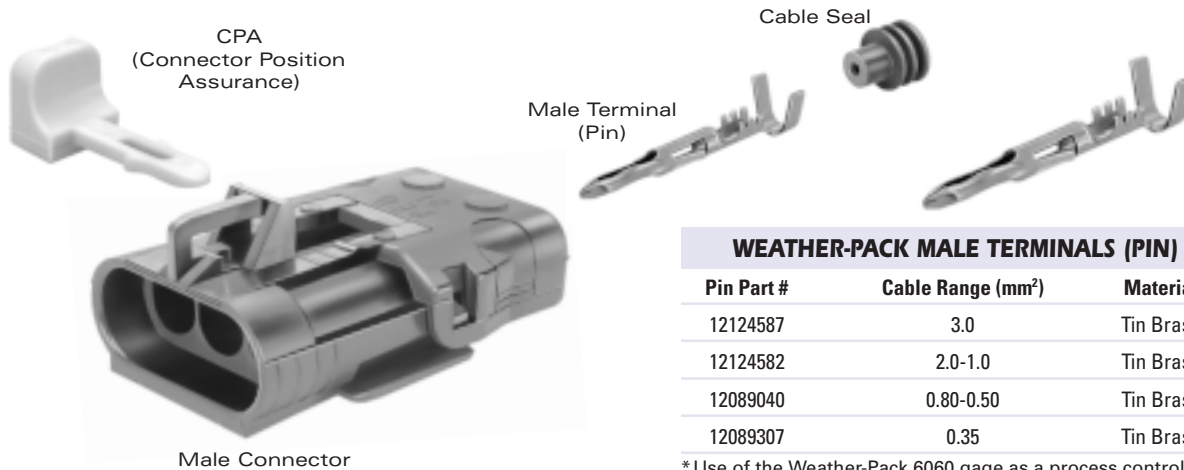
Sealed System Application Information

CABLE RANGE (mm²): 0.35-3.0
CURRENT RANGE (AMPS): 0-20
TEMP RANGE °C: -40 to 125
RESISTANCE: <10mΩ@20mV
VOLTAGE DROP: <3.0mV/amp
CENTERLINE SPACING (mm): 7.7
BLADE WIDTH (mm): ... Pin and Sleeve

WEATHER-PACK TERMINALS-Tin Plated



*The test data are based on single circuits in free space and were generated using a "Lumped Resistance" model. This model does not account for all of the variables that would be present in an actual application. For actual product performance, contact your regional support representative at the number listed below.



WEATHER-PACK MALE TERMINALS (PIN) SEALED*

Pin Part #	Cable Range (mm ²)	Material	Plating
12124587	3.0	Tin Brass	Tin
12124582	2.0-1.0	Tin Brass	Tin
12089040	0.80-0.50	Tin Brass	Tin
12089307	0.35	Tin Brass	Tin

*Use of the Weather-Pack 6060 gage as a process control aid is recommended for Weather-Pack terminals. See page 327 in the Application Tooling section for details.

WEATHER-PACK MALE CONNECTORS SEALED

# Cavities	Connector	Color	Material
1	12010996	Black	PA66 HS IM
2	12010973	Black	PA6
3	12020827	Black	PA6
4	12015024	Black	PA6
4	12020830	Black	PA6
6	12020786	Black	PA6
22	12020005	Black	PA6

WEATHER-PACK CAVITY PLUG*

Part #	Cavity Inside Diameter	Material	Color
12010300	6.7mm	Silicone	Green

*Cavity plugs seal unused female and male cavities.

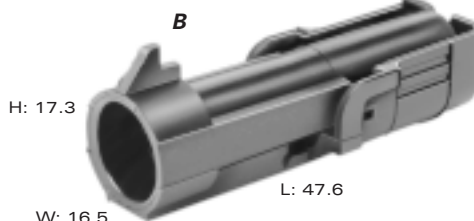
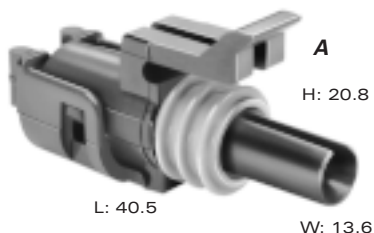
SECTION NOTES:

- Contact your regional support representative at the number listed below.
- Due to rigid tolerances of connector cavities, it is critical to meet all crimp dimensions as specified.
- Different color and connector indexing features are also available.

<http://delphi.com/products/connect>



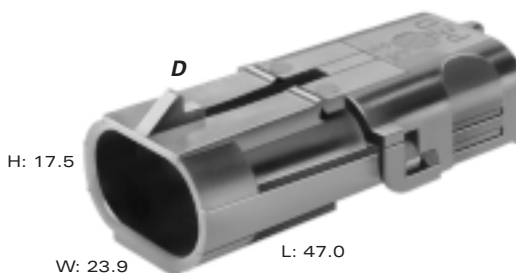
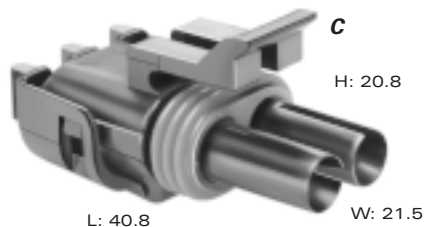
An environmentally sealed connection system that utilizes triple-rib peripheral silicone rubber seals and individual towers to provide terminal isolation for connector alignment. Weather-Pack sealed systems are ideally suited for critical applications that require protection from environmental hazards.



Total Mated Length: 64.5mm

A PART NO: 12015791
 DESCRIPTION: Connector Assembly 1F
 SIZE: 40.5L x 20.8H x 13.6W
 COLOR: Black
 MATERIAL: PA6
 TERMINALS: See Page 242
 SEALS/PLUGS: See Page 242, 243

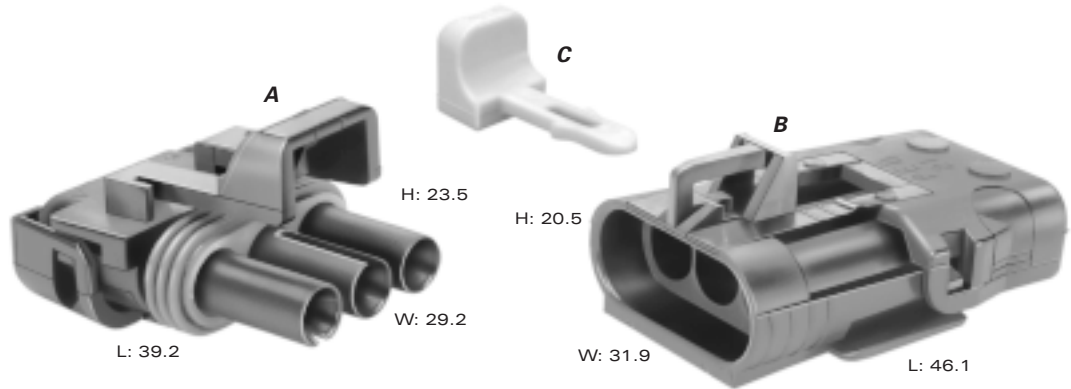
B PART NO: 12010996
 DESCRIPTION: Connector 1M
 SIZE: 47.6L x 17.3H x 16.5W
 COLOR: Black
 MATERIAL: PA66 HS IM
 TERMINALS: See Page 243
 SEALS/PLUGS: See Page 242, 243



Total Mated Length: 68.3mm

**C PART NO: 12015792 (Black)
 12103784 (Gray)**
 DESCRIPTION: Connector Assembly 2F
 SIZE: 40.8L x 20.8H x 21.5W
 MATERIAL: PA6
 TERMINALS: See Page 242
 SEALS/PLUGS: See Page 242, 243

**D PART NO: 12010973 (Black)
 12034074 (Gray)**
 DESCRIPTION: Connector 2M (Clip Slot)
 SIZE: 47.0L x 17.5H x 23.9W
 MATERIAL: PA6
 TERMINALS: See Page 243
 SEALS/PLUGS: See Page 242, 243

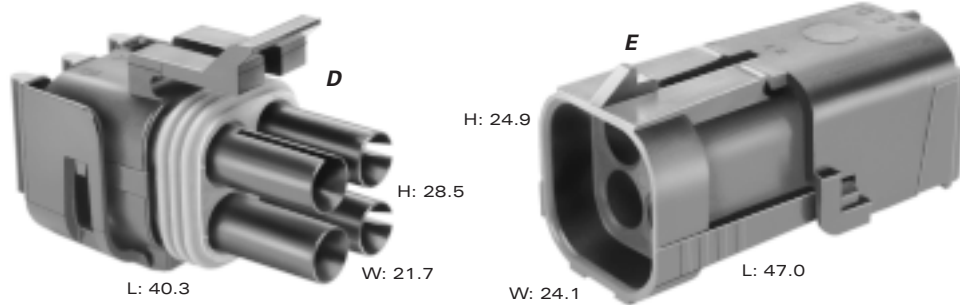


Total Mated Length: 65.8mm

A PART NO: 12020829
 DESCRIPTION: Connector Assembly 3F
 SIZE: 39.2L x 23.5H x 29.2W
 COLOR: Black
 MATERIAL: PA6
 TERMINALS: See Page 242
 SEALS/PLUGS: See Page 242, 243

B PART NO: 12020827
 DESCRIPTION: Connector 3M (Clip Slot)
 SIZE: 46.1L x 20.5H x 31.9W
 COLOR: Black
 MATERIAL: PA6
 TERMINALS: See Page 243
 SEALS/PLUGS: See Page 242, 243

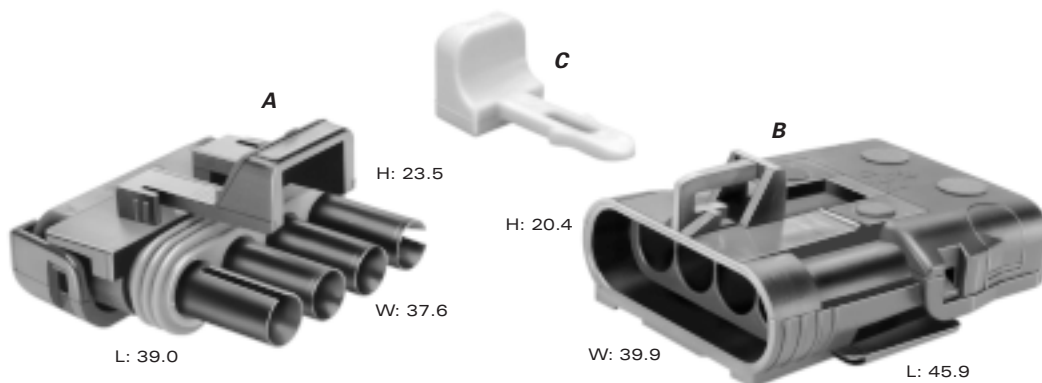
C PART NO: 12020833
 DESCRIPTION: CPA
 COLOR: Gray
 MATERIAL: PBT



Total Mated Length: 68.3mm

D PART NO: 12015798
 DESCRIPTION: Connector Assembly 4F
 SIZE: 40.3L x 28.5H x 21.7W
 COLOR: Black
 MATERIAL: PA6
 TERMINALS: See Page 242
 SEALS/PLUGS: See Page 242, 243

E PART NO: 12015024
 DESCRIPTION: Connector 4M (Clip Slot)
 SIZE: 47.0L x 24.9H x 24.1W
 COLOR: Black
 MATERIAL: PA6
 TERMINALS: See Page 243
 SEALS/PLUGS: See Page 242, 243

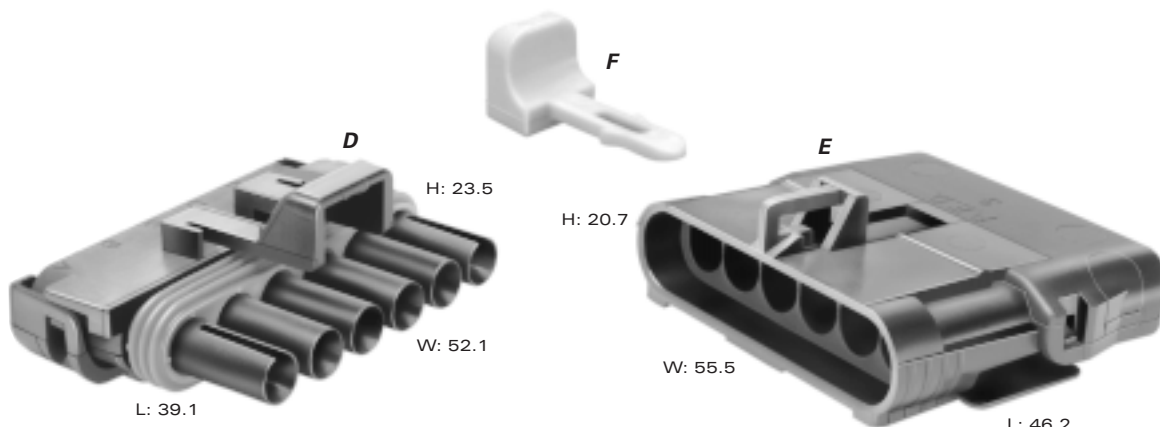


Total Mated Length: 65.8mm

A PART NO: 12020832
 DESCRIPTION: Connector Assembly 4F
 SIZE: 39.0L x 23.5H x 37.6W
 COLOR: Black
 MATERIAL: PA6
 TERMINALS: See Page 242
 SEALS/PLUGS: See Page 242, 243

B PART NO: 12020830
 DESCRIPTION: Connector 4M (Clip Slot)
 SIZE: 45.9L x 20.4H x 39.9W
 COLOR: Black
 MATERIAL: PA6
 TERMINALS: See Page 243
 SEALS/PLUGS: See Page 242, 243

C PART NO: 12020833
 DESCRIPTION: CPA
 COLOR: Gray
 MATERIAL: PBT



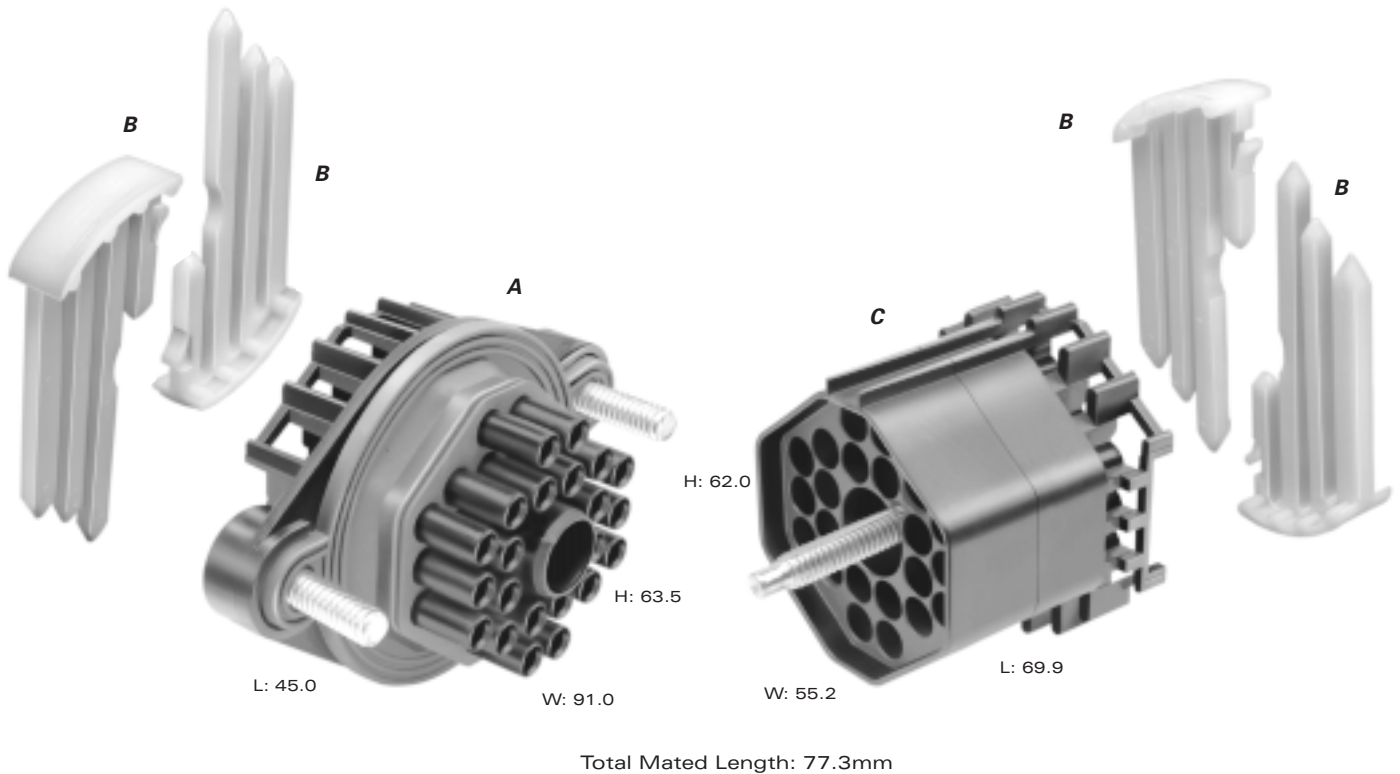
Total Mated Length: 66.4mm

D PART NO: 12020926
 DESCRIPTION: Connector Assembly 6F
 SIZE: 39.1L x 23.5H x 52.1W
 COLOR: Black
 MATERIAL: PA6
 TERMINALS: See Page 242
 SEALS/PLUGS: See Page 242, 243

E PART NO: 12020786
 DESCRIPTION: Connector 6M (Clip Slot)
 SIZE: 46.2L x 20.7H x 55.5W
 COLOR: Black
 MATERIAL: PA6
 TERMINALS: See Page 243
 SEALS/PLUGS: See Page 242, 243

F PART NO: 12020833
 DESCRIPTION: CPA
 COLOR: Gray
 MATERIAL: PBT

<http://delphi.com/products/connect>



A PART NO: 12020991
 DESCRIPTION: Connector Assembly 22F
 SIZE: 45.0L x 63.5H x 91.0W
 COLOR: Black
 MATERIAL: PA6
 TERMINALS: See Page 242
 SEALS/PLUGS: See Page 242, 243
 APPLICATION: Pass-Through

C PART NO: 12020005
 DESCRIPTION: Connector Assembly 22M
 SIZE: 69.9L x 62.0H x 55.2W
 COLOR: Black
 MATERIAL: PA6
 TERMINALS: See Page 243
 SEALS/PLUGS: See Page 242, 243
 APPLICATION: Pass-Through

B PART NO: 12010852
 DESCRIPTION: Secondary Lock
 NUMBER REQ: 4
 COLOR: Natural
 MATERIAL: PA6