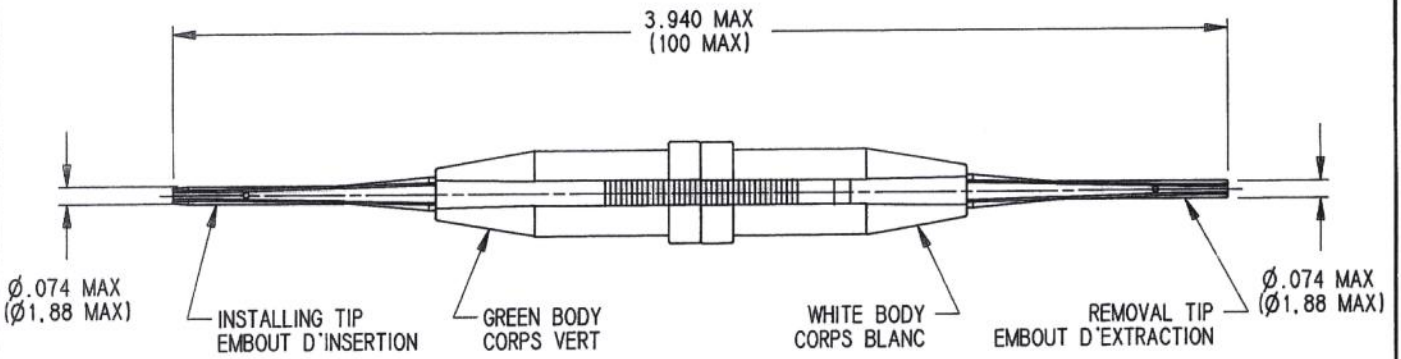


Séries
282

SIZE 22 INSERTION/EXTRACTION TOOL
OUTIL D'INSERTION/D'EXTRACTION TAILLE 22
MIL SPECIF. M81969/1.01

Issue:
9 APRIL 93

Page
1 / 1



MATERIAL:
BODY: THERMOPLASTIC
TIP: CORROSION RESISTANT METAL

MATIERE:
CORPS: THERMOPLASTIQUE
EMBOUT: METALLIQUE

This information is given as an indication. In the continual goal to improve our products, we reserve the right to make any modifications judged necessary.

4112_9212

CREATION			
PEN: .			
EP: .			
Name: JP MACARI			
Date: 9 APRIL 93			
Issue	Revisions	Name	

XXXXXXXX