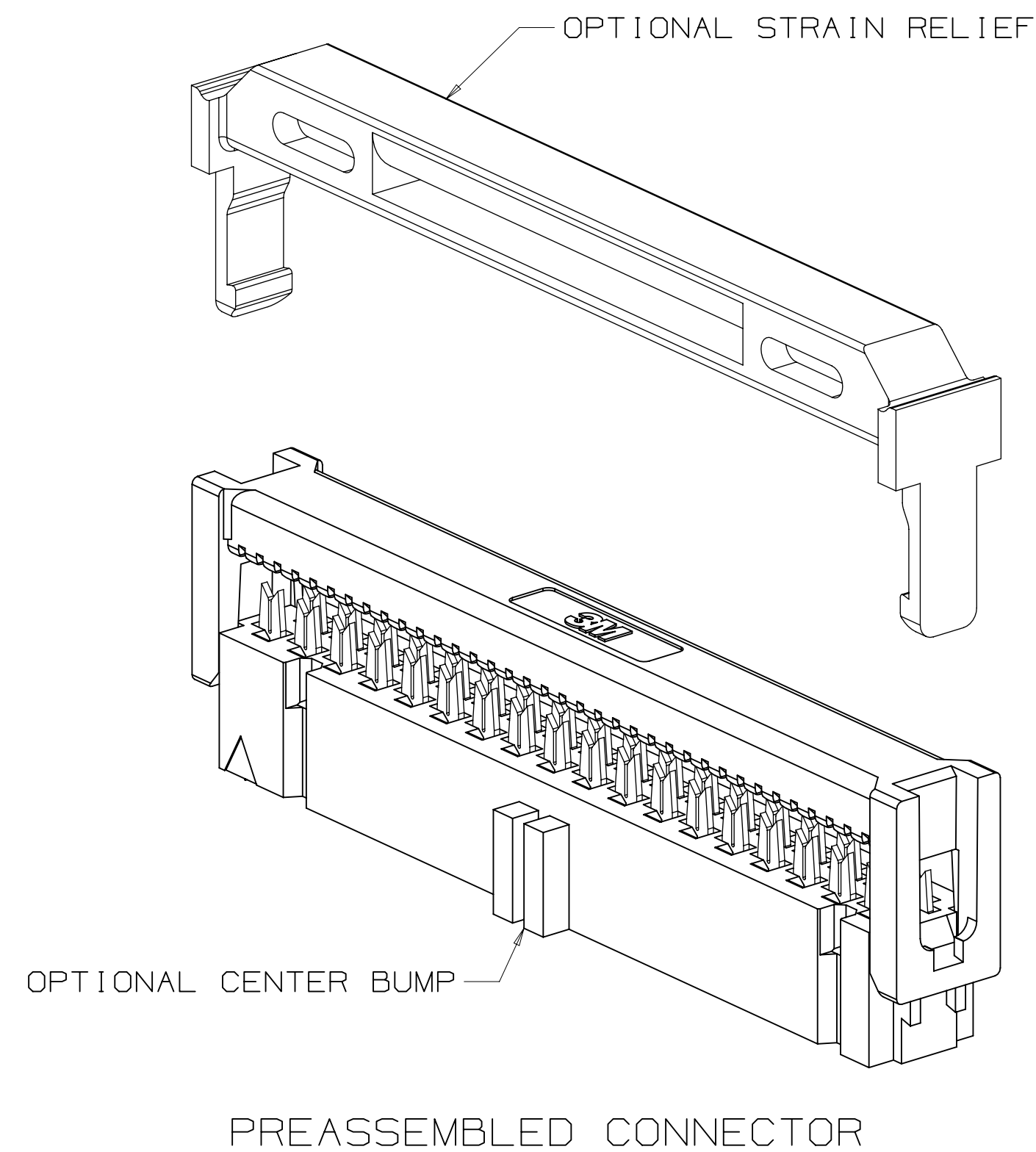


3M™ IDC RIBBON CABLE SOCKET, 891 SERIES
 .100" X .100" FOR .050" PITCH CABLE



- * PREASSEMBLED, PACKAGING ON SWORDS FOR EASY LOADING OF MANUAL AND SEMI-AUTOMATIC ASSEMBLY EQUIPMENT.
- * "BUMPS" ARE DESIGNED TO PREVENT PREMATURE LATCH LOCKING DURING SHIPMENT.
- * OPTIONAL DOUBLE-SIDED ADHESIVE PULL TAB FOR EASY UNPLUGGING.
- * DOUBLE-RECESSED COVER FOR CABLE TERMINATION FROM EITHER SIDE VIRTUALLY ELIMINATING THE NEED FOR SINGLE-RECESSED COVER CONNECTORS.
- * MILITARY POLARIZATION, WITH OR WITHOUT CENTER BUMP.

- NOTES
1. ASSEMBLY TOOLS:
 3M™ PRESS (OR EQUIVALENT) 3640.
 3M™ LOCATOR PLATE 3443-107N.
 3M™ PLATEN 3442-9.
 2. REGULATORY INFORMATION:
 VISIT 3M.com/regs
 3. IN THE EVENT OF CONFLICT BETWEEN THIS DATA AND THAT CONTAINED IN THE PRODUCT SPECIFICATION, THE PRODUCT SPECIFICATION TAKES PRECEDENT.
 4. DUAL POLARIZATION SLOTS. SLOT #1 IS NOT PRESENT ON 10 AND 14 POSITIONS. SLOT #1 AND #2 ARE NOT PRESENT ON 8 POSITION.
 5. DIMENSION MEASURED AT TIP OF PINS.
 6. TAPERED PIN TIP CONFIGURATION RECOMMENDED.
 7. SEE TS-2243 FOR D891XX SERIES.

3 PHYSICAL :

INSULATION: GLASS FILLED POLYESTER (PBT)
 MATERIAL: GLASS FILLED POLYESTER (PBT)
 FLAMMABILITY: UL94V-0
 COLOR: GRAY
 CONTACT: PHOSPHOR BRONZE
 MATERIAL: PHOSPHOR BRONZE
 PLATING: NICKEL-OVERALL
 UNDER PLATING: 50μ" [1.27μm] AVG. NICKEL-OVERALL
 WIPING AREA: 30μ" [0.76μm] AVG. GOLD
 WIRE ACCOMMODATION: 26 AND 28 AWG STRANDED
 MARKINGS: 3M LOGO, ORIENTATION TRIANGLE

3 ELECTRICAL :

CURRENT RATING:

	1 LINE	6 ADJACENT LINES	ALL LINES
28 AWG	3.00	1.75	1.25
26 AWG	3.50	2.25	1.50

RATING CONDITIONS: EIA-364-070 METHOD 2, 30°C MAXIMUM TEMPERATURE RISE, 20% DERATED. REFERENCE APPROPRIATE 3M PRODUCT SPECIFICATION FOR CURRENT DERATING CURVES.

INSULATION RESISTANCE: >1 X 10⁹Ω AT 500 V_{DC}
 WITHSTANDING VOLTAGE: 1,000V_{RMS} AT SEA LEVEL

3 ENVIRONMENTAL :

TEMP RATING: -55°C TO +105°

STRAIN RELIEF
 (ORDER SEPARATELY)
 3448-891XX

ORDERING INFORMATION
 SOCKETS
 891XX-0X0X

CONTACT QUANTITY:
 (SEE TABLE 1)

POLARIZATION OPTIONS:
 0 = WITHOUT CENTER BUMP
 1 = WITH CENTER BUMP

STRAIN RELIEF:
 1 = NO STRAIN RELIEF
 3 = STRAIN RELIEF

PACKAGING STYLE OPTIONS:
 0 = PREASSEMBLED

CONTACT QUANTITY:
 (SEE TABLE 1)

PULL TABS
 (ORDER SEPARATELY)
 SEE TS-0496

DIMENSIONS: INCHES [MM]
 [MM] IS REF. ONLY

3M ELECTRONICS MATERIALS SOLUTIONS DIVISION
 INTERCONNECT SOLUTIONS
<http://www.3M.com/interconnect>

3M IS A TRADEMARK OF 3M COMPANY.
 FOR TECHNICAL, SALES OR ORDERING
 INFORMATION CALL 800-225-5373

UL **us**
 UL FILE NO: E68080

DESIGN REFERENCE	NEXT ASSEMBLY	REV	ECO	ISSUE DATE AND DESCRIPTION	DRFT	CHKD
				APR 27, 2021		
				APR 27, 2021		
				APR 27, 2021		

DO NOT SCALE DRAWING	SCALE 4/1	TOLERANCES EXCEPT AS NOTED
THIRD ANGLE PROJECTION	INTERPRET PER ASME Y14.5 - 2018	MAX SURFACE ROUGHNESS

INCHES	±.1
	±.01
	±.005
	±.0005
MILLIMETERS	0 ±
	±.0
	±.00
	±.000
	±.000

TITLE	3M Center St. Paul, MN 55144	© 3M COPYRIGHT 2021	This document and the information it contains are 3M property and may not be reproduced or further distributed without 3M permission, or used or disclosed other than for 3M authorized purposes. All rights reserved.
CAGE NUMBER	D78-5100-0449-8	DRAWING NO.	REV. M
MODEL	891XX	DATE	1 OF 3

78-5100-0449-8
 DRAWING NUMBER
 M REVISION
 6
 (hrs)
 Drf-set
 -- UTC
 Time 5/18/2021

3M™ IDC RIBBON CABLE SOCKET, 891 SERIES
 .100" X .100" FOR .050" PITCH CABLE

Regulatory: For regulatory information about this product, visit 3M.com/regs or contact your 3M representative.

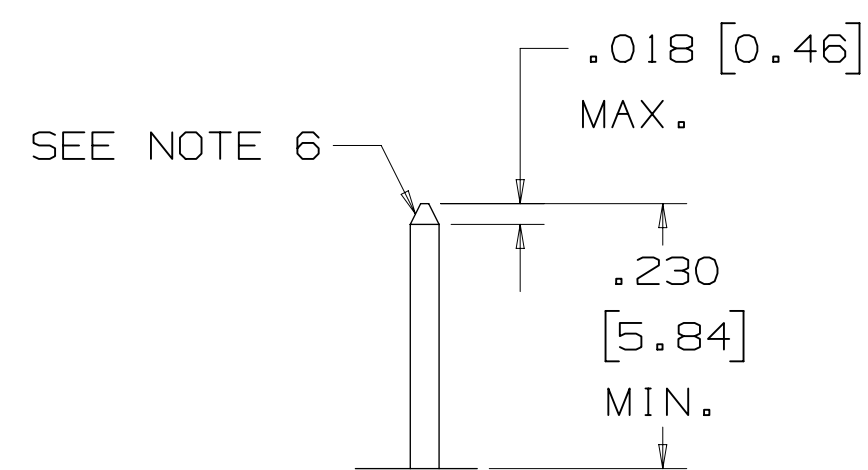
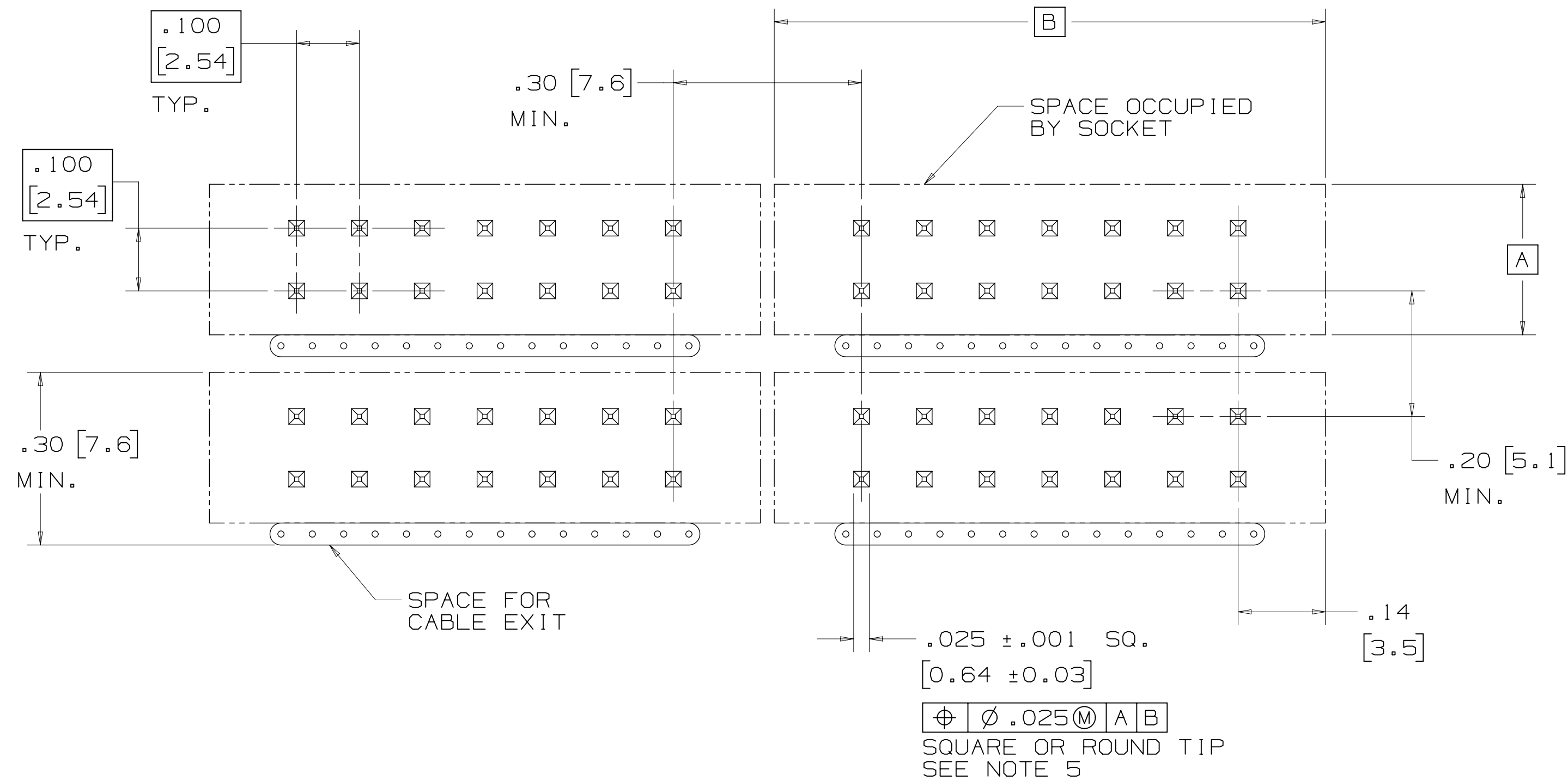
Technical Information: The technical information, recommendations and other statements contained in this document are based upon tests or experience that 3M believes are reliable, but the accuracy or completeness of such information is not guaranteed.

Product Use: Many factors beyond 3M's control and uniquely within user's control can affect the use and performance of a 3M product in a particular application. Given the variety of factors that can affect the use and performance of a 3M product, user is solely responsible for evaluating the 3M product and determining whether it is fit for a particular purpose and suitable for user's method of application.

Warranty, Limited Remedy, and Disclaimer: Unless an additional warranty is specifically stated on the applicable 3M product packaging or product literature, 3M warrants that each 3M product meets the applicable 3M product specification at the time 3M ships the product. 3M MAKES NO OTHER WARRANTIES OR CONDITIONS, EXPRESS OR IMPLIED, INCLUDING, BUT NOT LIMITED TO, ANY IMPLIED WARRANTY OR CONDITION OF MERCHANTABILITY OR FITNESS FOR A PARTICULAR PURPOSE OR ANY IMPLIED WARRANTY OR CONDITION ARISING OUT OF A COURSE OF DEALING, CUSTOM OR USAGE OR TRADE. If the 3M product does not conform to this warranty, then the sole and exclusive remedy is, at 3M's option, replacement of the 3M product or refund of the purchase price.

Limitation of Liability: Except where prohibited by law, 3M will not be liable for any loss or damage arising from the 3M product, whether direct, indirect, special, incidental or consequential, regardless of the legal theory asserted, including warranty, contract, negligence or strict liability.

3M Company
 Electronics Materials Solutions Division
 13011 McCallen Pass, Bldg. C
 Austin, TX 78753-5380
 1-800-225-5373
 www.3M.com/interconnect



RECOMMENDED PIN PATTERN FOR STACKED CONFIGURATIONS

DESIGN REFERENCE	NEXT ASSEMBLY	REV. ECO	ISSUE DATE AND DESCRIPTION	DRFT	CHKD
			APR 27, 2021		
DIVISION		DIVISION CODE		MFG	
EMSD		EMSD		3M Center St. Paul, MN 55144	
DO NOT SCALE DRAWING	SCALE 1/1	TOLERANCES EXCEPT AS NOTED		TITLE	
		INCHES: .00 ± .01, .000 ± .0005, .0000 ± .00005		IDC RIBBON CABLE SKT, .100 X .100, CABLE PITCH .050, 891	
THIRD ANGLE PROJECTION	INTERPRET PER ASME Y14.5 - 2018	MILLIMETERS: 0 ± .00, .00 ± .0005, .000 ± .0005		CAGE NUMBER	
		MAX SURFACE ROUGHNESS: 0.40 ± .0005, 0.80 ± .0005, 1.60 ± .0005		D78-5100-0449-8 M	
		MARKED ONLY		MODEL 891XXX	
		APR 27, 2021		JNC FJR	
		APR 27, 2021		APR 27, 2021	
		APR 27, 2021		APR 27, 2021	
		APR 27, 2021		APR 27, 2021	

M REVISION
 78-5100-0449-8
 DRAWING NUMBER
 B
 6
 UTC
 Drr-set
 (hrs)
 6
 A
 Standard
 Time 5/18/2021 --