



# O/E/N 85H HEAVY DUTY POWER RELAY



- Heavy Duty make, carry & break upto 5 Amps
- 2 Form A version
- Dust Protected
- LED & Free Wheeling Diode (Optional as Module)
- Din rail mounting socket
- Comply to IEC 60255-5

## SPECIFICATIONS

Contact Arrangement	: 2 Form A
Contact Material	: Silver Alloy
Contact Rating	: Make, Carry & Break
Rated Voltage	: 220 VDC
Max. Switching Voltage	: 220 VDC
Max. Continuous Current at 220 VDC	: 5 A
Max. Power Rating	: 1100 W
Nominal Coil Power	: 0.48 W (approx)
Life Expectancy	
Electrical	: 10 <sup>5</sup> operations
Mechanical	: 2 x 10 <sup>6</sup> operations
Contact Resistance (Initial)	: 100 milli Ohms
Dielectric Strength	
Between Contact & Coil	: 5000 VRMS
Between Open Contacts	: 1000 VRMS
Insulation Resistance	: 3000 MegaOhms at 500 VDC 25 <sup>o</sup> C,RH50
Operate time at	
Nominal Voltage	: 15 milli sec. (Typ)
Release time at	
Nominal Voltage	: 15 milli sec. (Typ) 20 milli sec. (with diode)
Ambient Temperature	: -40 <sup>o</sup> C to +70 <sup>o</sup> C
Weight	: 21 gms (approx)

### Typical applications

Industrial Control, Instrumentation, Automation, Battery Chargers, Power Conditioning Equipments etc.

**Note :** In case of Relay with clamping diode, take terminal 5 as negative

All dimensions are in mm. Specifications subject to change without notice. Tolerance unless otherwise specified is ± 10%.

## COIL DATA

Nominal Voltage VDC	Pick-up Voltage VDC	Drop-out Voltage VDC	Coil Resistance Ohms ± 10%
12	9.6	1.2	300
24	19.2	2.4	1200
30	24.0	3.0	1900
48	38.4	4.8	4800
110	88.0	11.0	23500
125	100.0	12.5	32500

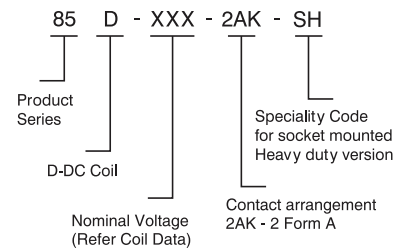
## SOCKET ORDERING CODE

Din rail mounting type : 85-4900-200

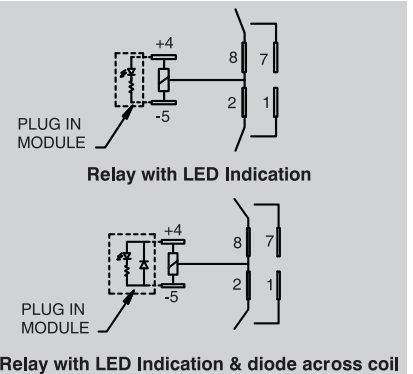
## LED & FW DIODE MODULE ORDERING CODE

130 -1000 - 024	(6 VDC - 24 VDC)
130 -1000 - 048	(24 VDC - 60 VDC)
130 -1000 - 110	(110 VDC - 230 VDC)

## HOW TO ORDER



## WIRING DIAGRAM



## DIMENSIONS

