



O/E/N 73

AUTOMOTIVE MICRO POWER RELAY

FEATURES

- High performance
- 4.8 & 6.3 mm Flat terminals
- PC Version available
- Suitable couplers available
- Optional sealing

APPLICATION

- Head lamp control
- Starter motors
- Defogger
- Radiator fan
- A/C Controls

TECHNICAL DATA FOR CONTACT SIDE :

Model	1 Form A	1 Form C	High Current
Areas of Application		Resistive / Capacitive / Inductive Load	
Contact Configuration	1 Form A (1 NO)	1 Form A (1 NO), 1 Form C (1 NC)	1 Form A (1 NO), 1 Form C (1 NC)
Contact Material	Silver Alloy	Silver Alloy	Silver Alloy
Contact Rating at 23°C - 12 VDC	20A	20A/10A	35A/20A
24 VDC	15A	15A/10A	20A/10A
Electrical Life in No. of Operations Min.	1 x 10 ⁵	1 x 10 ⁵	1 x 10 ⁵
Mechanical Life in No. of Operations Min.	1 x 10 ⁶	1 x 10 ⁶	1 x 10 ⁶
Contact Voltage drop at 20 A (Max.)	100mV	100mV	100mV
Maximum Switching Current			
@ 12.8 VDC For 3 Sec.	100A	100A	100A

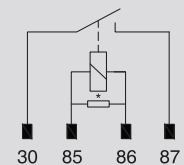
GENERAL DATA FOR COIL SIDE

Nominal Coil Power	: 1.31W (Approx)
Operate Time	: 10 milli Seconds (Typ)
Release Time	: 7 milli Seconds (Typ)

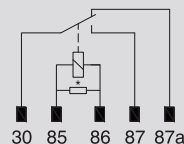
OPERATING CONDITIONS

Ambient Temperature	: -30°C to +110°C
Maximum Temperature	: 155°C
Dielectric Strength	
Between open contacts	: 500 VRMS
Insulation Resistance	: 100 MegaOhms Min. at 500 VDC, 25°C RH 50
Vibration Resistance	: 10-500Hz, 5g (Change in switching state not more than 10μS)
Shock Resistance	: 20g, 8mS (Change in switching state not more than 10μS)
Weight	: 20 gms Max.

WIRING DIAGRAM



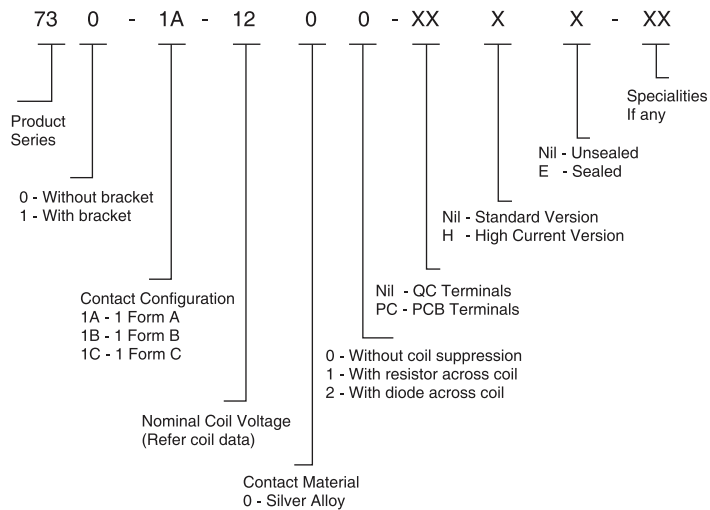
1 Form A



1 Form C

* Parallel resistor or diode optional
Note: For 1 Form B relays consult factory

HOW TO ORDER



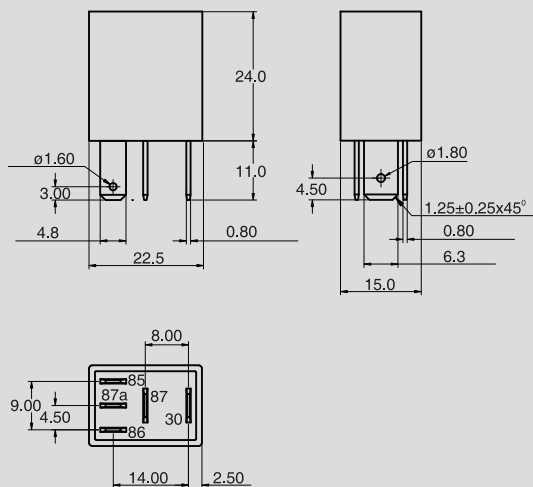
COIL DATA

Nominal Voltage VDC	**Pick-up Voltage VDC (Max)	Drop-out Voltage VDC (Min)	Coil Resistance Ohms $\pm 10\%$
06	4.5	0.6	26
12	8.2	1.2	110
24	16	2.4	430

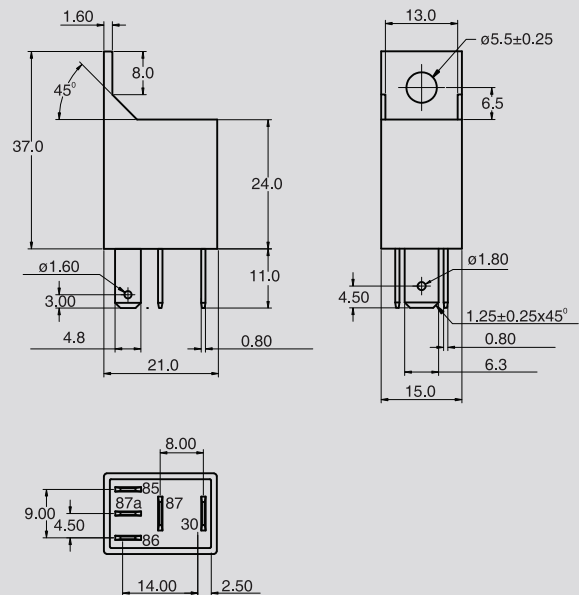
**Lower pick-up voltages available on request

DIMENSIONS

RELAY WITHOUT BRACKET



RELAY WITH BRACKET



MECHANICAL DATA

COVER RETENTION

Pull : 20KgF

Push : 20KgF

TERMINAL STRENGTH

Pull : 10KgF

Push : 10KgF

AVAILABLE ON REQUEST

- Cover with notches
- For other custom solutions consult factory