



O/E/N 192

TIME DELAY RELAY

FEATURES

- 6.3mm Flat terminals
- Custom defined delay
- Optional sealing
- EMI/EMC compliance on request

APPLICATION

- Air conditioning systems
- Solenoid controls
- Radiator fan control

TECHNICAL DATA FOR CONTACT SIDE :

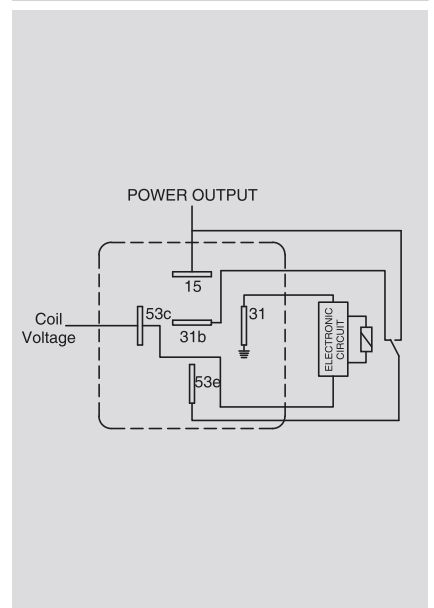
Areas of Application	Resistive / Inductive Load
Contact Configuration	: 1 Form A (1 NO), 1 Form C (1 CO)
Contact Material	: Silver Alloy
Contact Rating at 23°C - 13.5 VDC	: 20A (resistive)
24 VDC	: 10A (resistive)
Electrical Life in No. of Operations Min.	: 1×10^5
Operating Voltage range	: 9.0 to 14.0 VDC for 12VDC
	: 16.8 to 27.0 VDC for 24 VDC

OPERATING CONDITIONS

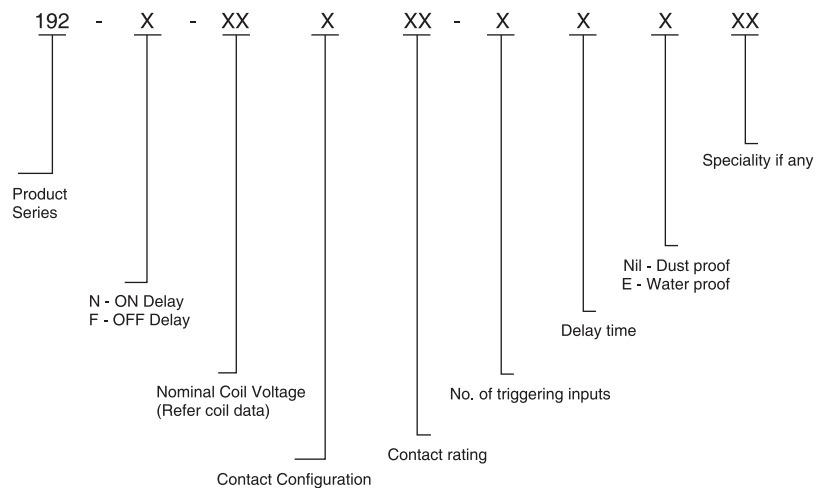
Ambient Temperature	: -40°C to +85°C
Dielectric Strength Between open contacts	: 500 VRMS
Insulation Resistance	: 10 MegaOhms Min. at 500 VDC, 25°C RH 50
Vibration Resistance	: 5-500Hz, 5g (Change in switching state not more than 10μS)
Shock Resistance	: 50g, 11mS (Change in switching state not more than 10μS)
Load dump test	: As per ISO 7637-2, test pulse 5a, Vs = +87V
Ingress protection	: IP54/IP67* as per IEC 60529
Weight	: 45 gms Max.

*For sealed relays

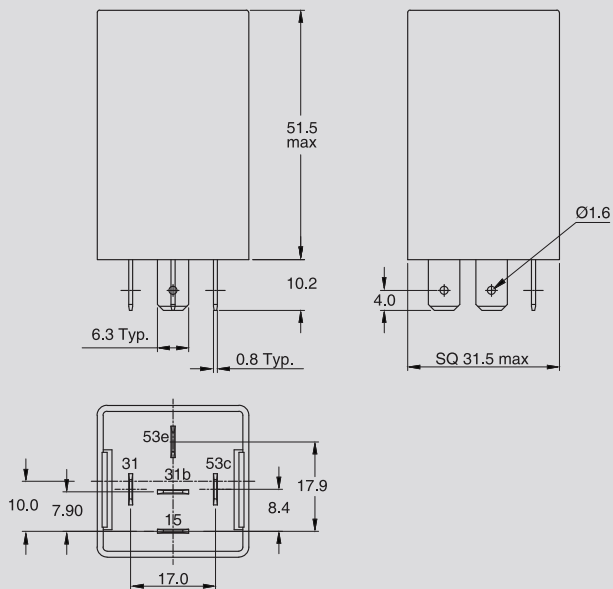
WIRING DIAGRAM



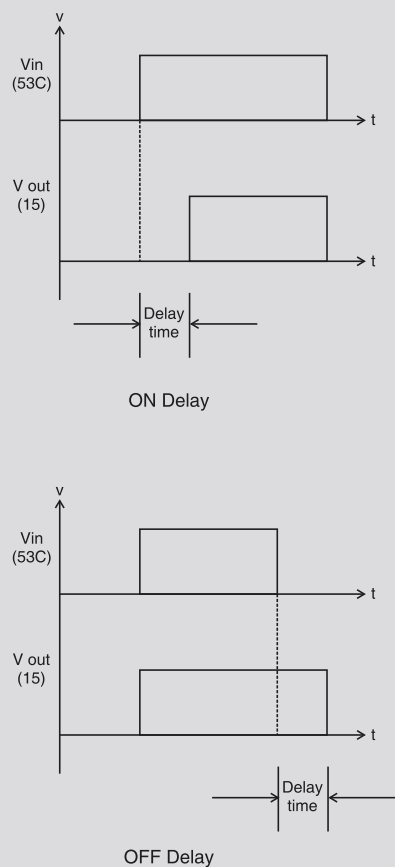
HOW TO ORDER



DIMENSIONS



TIMING DIAGRAM



AVAILABLE ON REQUEST

- For custom solutions consult factory