

O/E/N 57

MINIATURE POWER RELAYS

- Compact High Performance
- Direct PCB Type
- Dust Protected

SPECIFICATIONS

Contact Arrangement	: 1 Form A, 1 Form C, 2 Form C
Contact Material	: Silver Alloy
Contact Rating	
Rated Voltage	: 230 VAC/24 VDC
Max. Switching Voltage	: 250 VAC/110 VDC
Max. Continuous Current at 230 VAC/24 VDC	
1 Form A	: 6 A
1 Form C	: 6 A
2 Form C	: 2 A
Max. Power Rating	
1 Form C	: 1500 VA
2 Form C	: 500 VA
Nominal Coil Power	: 0.96 W (approx)
Life Expectancy	
Electrical	: 10 ⁵ operations
Mechanical	: 10 ⁶ operations
Contact Resistance(Initial)	: 50 milli Ohms
Dielectric Strength	
Between Contact & Coil	: 750 VRMS
Between Open Contacts	: 500 VRMS
Insulation Resistance	: 1000 MegaOhms at 500VDC, 25 ⁰ C, RH50
Operate time at	
Nominal Voltage	: 12 milli sec.(Typ)
Release time at	
Nominal Voltage	: 8 milli sec.(Typ)
Ambient Temperature	: -40 ⁰ C to +65 ⁰ C
Weight	: 18 gms (approx)

Typical applications

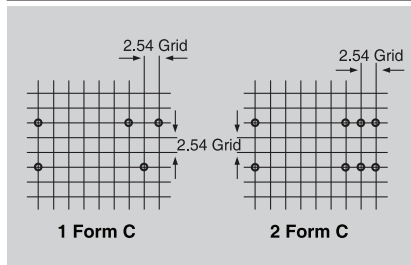
Industrial Electronics, PLCs, Timers, Office Automation, UPS, Invertors, Home Appliances etc.

All dimensions are in mm. Specifications subject to change without notice. Tolerance unless otherwise specified is ± 10%.

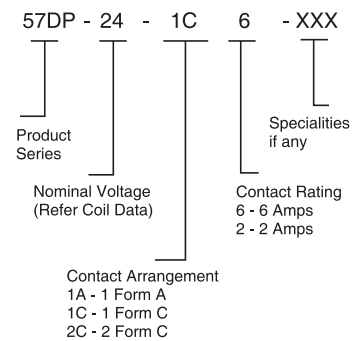
COIL DATA

Nominal Voltage VDC	Pick-up Voltage VDC	Drop-out Voltage VDC	Coil Resistance Ohms ± 10%
6	5	0.5	48
9	7	0.9	100
12	9	1.2	150
18	14	1.8	380
24	18	2.4	605
48	36	4.8	2390
115	85	11.5	11500

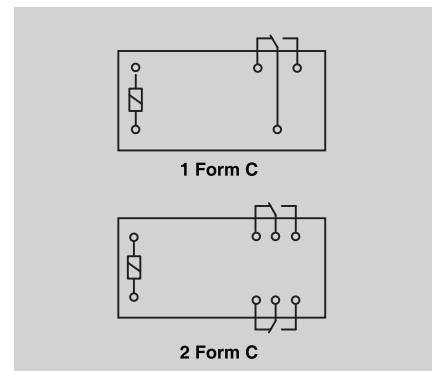
DRILLING PATTERN



HOW TO ORDER



WIRING DIAGRAM



DIMENSIONS

